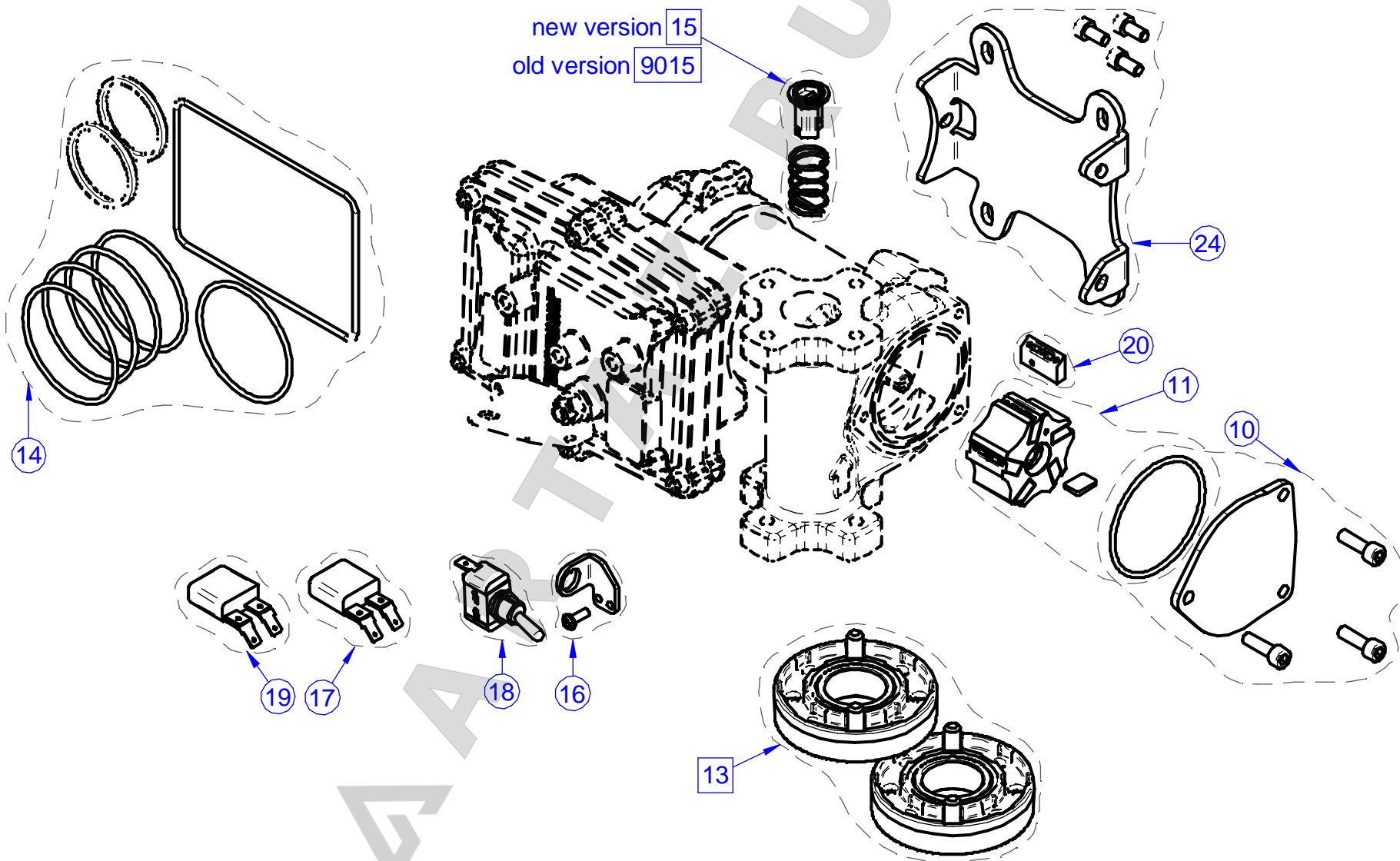


DESCRIPTION:
EX50-75

CODE:
LR_A00046

LAST RELEASE:
MAY 2022



Some components may vary in shape and color or not be present. Always follow codes and quantity shown in list. ○ fixed components □ variable components - - - only reference