


 FUEL MANAGEMENT  
 SYSTEMS


DISPENSERS



KITS


**PUMPS**


METERS



NOZZLES

# EX140



## FEATURES

- HIGH FLOW RATE
- HEAVY DUTY
- CONTINUOUS DUTY
- THERMAL PROTECTION
- UL VERSION AVAILABLE
- REMOVABLE PUMP FEET

The entirely new EX line is characterized by a high flow rate that works with a continuous duty cycle, and has been designed to be particularly suitable for Heavy Duty, i.e. for those demanding fleets that need to dispense fuels such as Gasoline, diesel or kerosene quickly.

### PERFORMANCE

UP TO  
**140 L/MIN**

FLOW RATE

**AC**  
VOLTAGE

POWER

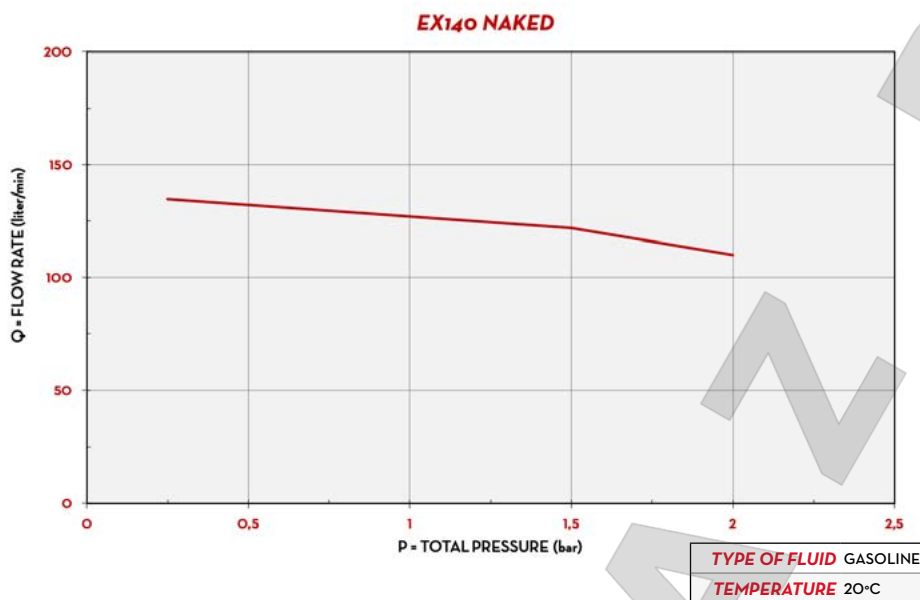
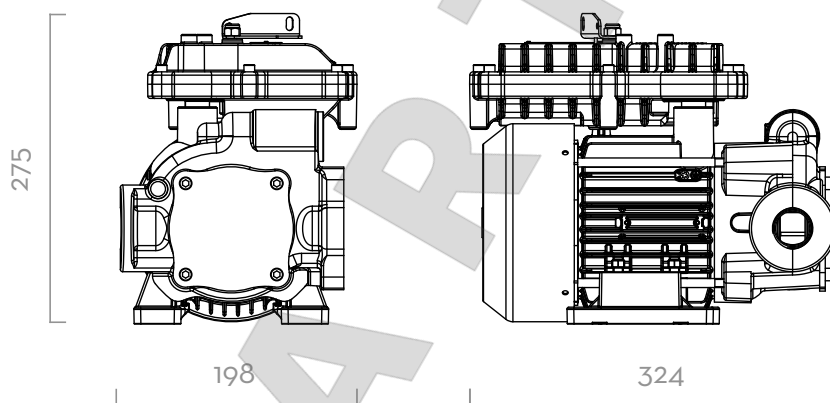

**EX140**

OUR PUMPS COMPLIES WITH THE FOLLOWING MARKING ATEX/IECEx

II	2	G	Ex	d	IIA	T4	Gb
GROUP	CATEGORY	TYPE OF EXPLOSIVE ATMOSPHERE	PERMANENT PREFIX	PROTECTION METHOD	GAS GLASS	TEMPERATURE CLASS	EQUIPMENT PROTECTION LEVEL

### PACKAGING

CODE	WEIGHT		PACKAGING		
	KG	LBS	MM	INCH	PCS/BOX
FO0395010	25	55	240X400X350	9,4X15,7X13,8	1
FO0395020	25	55	240X400X350	9,4X15,7X13,8	1
FO0395030	25	55	240X400X350	9,4X15,7X13,8	1

**CHART**

**DIMENSIONS**


Dimensions expressed in millimeters

**IN THE BOX**

- EX140 PUMP
- PUMP FEET
- INSTRUCTION MANUAL

**DETAILS**

**MATERIALS**

- BODY: CAST IRON
- ROTOR: SINTERED STEEL
- VANES: TECHNOPOLYMER
- SEAL: VITON
- SHAFT: STEEL


**PUMP**

- > MAX 6M (20FT),
- > SUCTION HOSE Ø 1" MIN,
- > MAX SUCTION HEIGHT:
  - 2M (7FT) W/O NON RETURN VALVE
  - 4M (14FT) W NON RETURN VALVE


**TANK**
**TECHNICAL DATA**

CODE	DESCRIPTION	FLUIDS TYPE	FLOW RATE		VOLTAGE			DUTY CICLE	RPM	INLET		OUTLET	
			L/MIN	GPM	AC VOLT/HZ	POWER WATT	AMP. MAX.			CONTINUOUS	BSP	BSP	
FOO395010	EX 140 230/50	<span>D</span> <span>G</span> <span>K</span>	140	37	230/50	1150	5	YES	1450	1" 1/4	1"		
FOO395020	EX 140 250/50	<span>D</span> <span>G</span> <span>K</span>	140	37	250/50	1125	4,5	YES	1450	1" 1/4	1"		
FOO395030	EX 140 230/60	<span>D</span> <span>G</span> <span>K</span>	140	37	230/60	920	4	YES	1750	1" 1/4	1"		

( ) UPON REQUEST IT IS AVAILABLE WITH DIFFERENT VOLTAGES AND 60 HZ FREQUENCY. THE PUMP CAN BE USED ONLY WITH THE FOLLOWING FLUIDS: DIESEL, KEROSENE, PETROL, PETROL MIXED, MAX. TEMPERATURE 20°C.