



PUMPS

BIPUMP

FEATURES

- **STURDY STRUCTURE**
- **COMPACT DESIGN**
- **HEAVY DUTY**
- **HIGH RELIABILITY**
- **IP55 PROTECTION RATING**

The PIUSI BIPUMP is a diesel transfer pump, available both in 12 and 24 V versions, designed to meet the needs of those who are looking for a long-lasting, durable, high flow-rate pump, applicable to different industries. It is easy to install and is suitable for being applied on diesel dispensers and fixed fuel transfer systems, as well as other applications.

PERFORMANCE

UP TO

25 GPM

FLOW RATE

12/24V

VOLTAGE

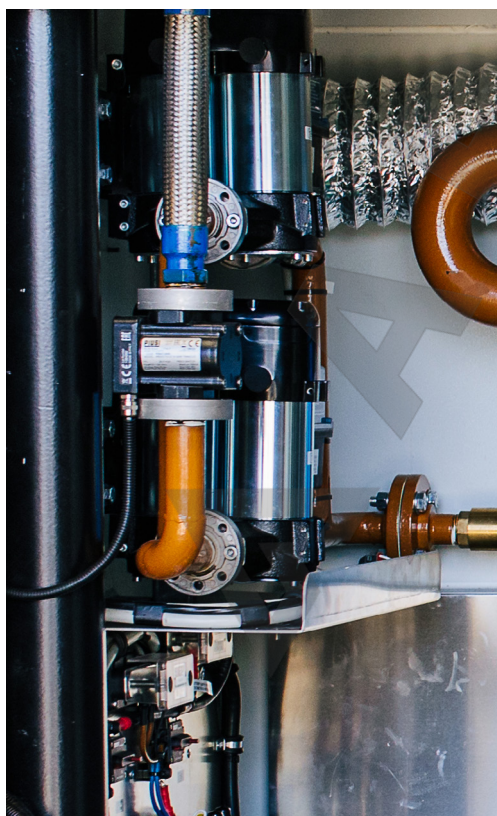
POWER

30 MIN

ON & OFF

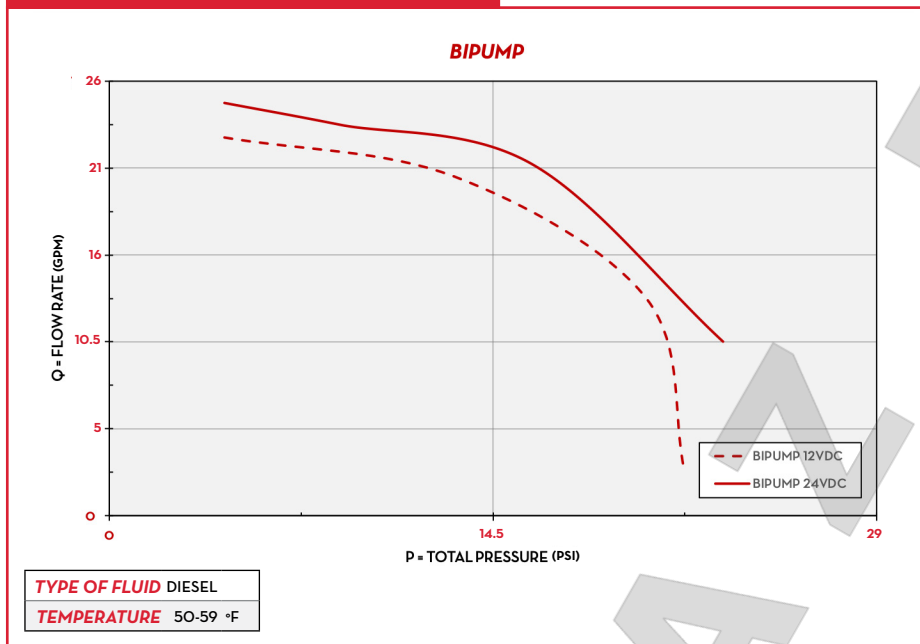
DUTY CYCLE


BIPUMP KIT

BIPUMP


PACKAGING

PART #	WEIGHT		PACKAGING			N. BOXES / EUROPALLET	
	KG	LBS	MM	INCH	PCS/BOX	✈	🚛
FO022220A	11.3	25	345X175X255	13.5X7X10	1	60	72
FO036305A	9.9	21.8	345X175X255	13.5X7X10	1	60	72
FO036306A	9.9	21.8	345X175X255	13.5X7X10	1	60	72

CHART

IN THE BOX

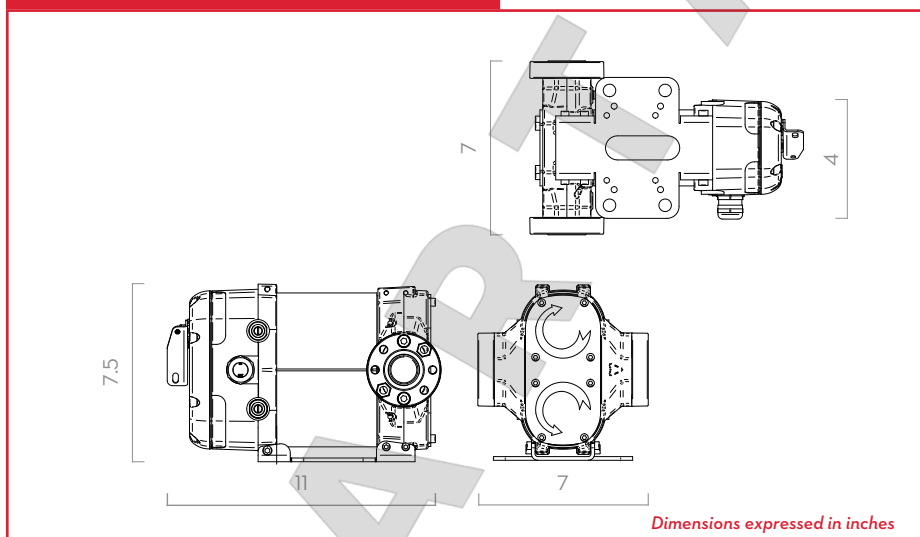
- BIPUMP UNIT
- FLANGED CONNECTIONS
- INSTRUCTION MANUAL
- A120 AUTO-NOZZLE (KIT ONLY)
- 13 FT. DELIVERY HOSE (IT ONLY)
- TELESCOPIC DOWNTUBE
- TANK CONNECTOR

DETAILS


ON/OFF SWITCH



FLANGED CONNECTIONS

DIMENSIONS

PUMP

- > MAX 6M (20FT),
- > SUCTION HOSE Ø 1" MIN,
- > MAX SUCTION HEIGHT:
 - 2M (7FT) W/O NON RETURN VALVE
 - 4M (14FT) W NON RETURN VALVE


TANK
MATERIALS

- BODY: CAST IRON
- ROTOR: SINTERED STEEL
- VANES: ACETAL RESIN
- SEAL: NBR
- SHAFT: STEEL
- NOZZLE (KIT ONLY): A120

TECHNICAL DATA

PART #	DESCRIPTION	FLUIDS TYPE	FLOW RATE		VOLTAGE			DUTY CYCLE	RPM	INLET
			L/MIN	GPM	DC VOLT	POWER WATT	AMP. MAX.	MINUTES		NPT
FOO22220A	BI-PUMP KIT 12V 25GPM (AUTO NOZZLE) NPT	D	95	25	12	500	42	30 ON/OFF	2000	1"
FOO36305A	BI-PUMP 12V 25GPM (PUMP ONLY)	D	95	25	12	500	42	30 ON/OFF	2000	1"
FOO36306A	BI-PUMP 24V 25GPM (PUMP ONLY)	D	95	25	& # % &	500	22	30 ON/OFF	2000	1"

*reduced flow rate when 24V BI-DIIMD used on 12V battery