

# E80 / E120

## FEATURES

- **VERSATILITY**
- **STURDY STRUCTURE**
- **LONG LASTING**
- **REASY TO USE**
- **THERMAL PROTECTION**

The PIUSI E80 and E120 are self-priming rotary electric vane pumps, compact and easy to install, suitable to meet all those use requirements needing a high-performance and long lasting product. The sturdy structure along with the thermal protection and the top-quality components allow its use at low working temperatures.

### PERFORMANCE

UP TO  
**100 L/MIN**

FLOW RATE

**AC**  
CONTINUOUS DUTY

POWER



E80/E120



### PACKAGING

| CODE        | WEIGHT |      | PACKAGING   |      |         | N. BOXES / EUROPALLET |    |
|-------------|--------|------|-------------|------|---------|-----------------------|----|
|             | KG     | LBS  | MM          | INCH | PCS/BOX | ✈                     | 🚚  |
| <b>E80</b>  |        |      |             |      |         |                       |    |
| 000305000   | 10,26  | 22,6 | 355X185X285 | -    | 1       | 60                    | 72 |
| 000307000   | 10,26  | 22,6 | 355X185X285 | -    | 1       | 60                    | 72 |
| <b>E120</b> |        |      |             |      |         |                       |    |
| 000326000   | 13,25  | 29,2 | 355X185X285 | -    | 1       | 60                    | 72 |
| 000312000   | 13,25  | 29,2 | 355X185X285 | -    | 1       | 60                    | 72 |



AIR



ANTIFREEZE



AdBlue®



BIODIESEL



DIESEL



FOOD



GASOLINE



GREASE



KEROSENE



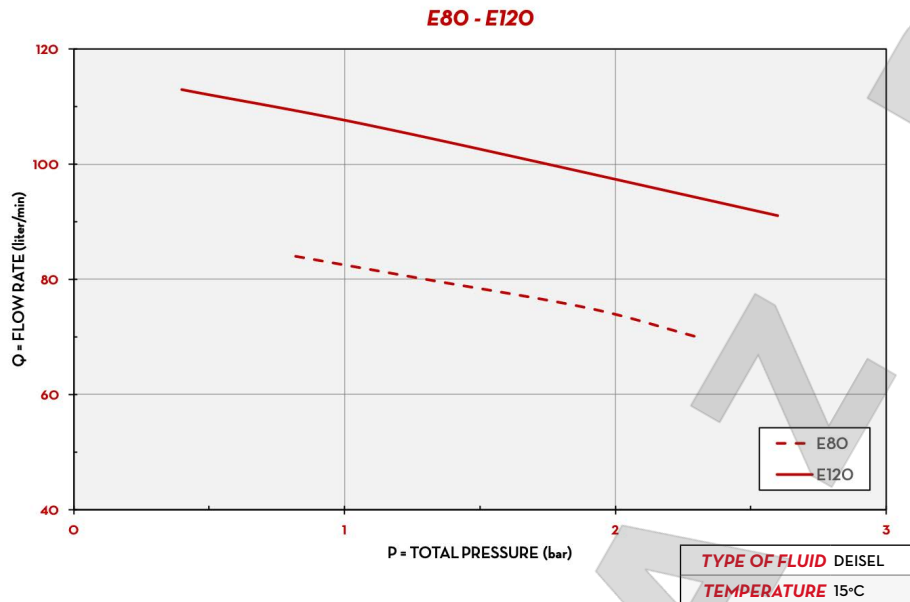
OIL



WATER

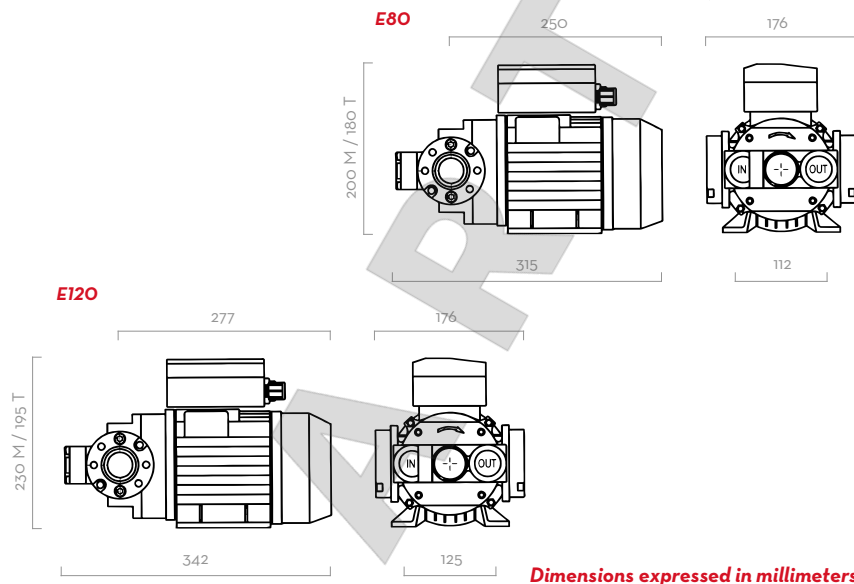


WINDSCREEN

**CHART**

**IN THE BOX**

- E80/E120 PUMP
- FLANGED CONNECTION
- INSTRUCTION MANUAL

**DETAILS**

**DIMENSIONS**

**MATERIALS**

- BODY: CAST IRON
- ROTOR: SINTERED STEEL
- VANES: ACETAL RESIN
- SEAL: VITON
- SHAFT: STEEL


**PUMP**

- > MAX 6M (20FT),
- > SUCTION HOSE Ø 1" MIN,
- > MAX SUCTION HEIGHT:
  - 2M (7FT) W/O NON RETURN VALVE
  - 4M (14FT) W NON RETURN VALVE


**TANK**
**TECHNICAL DATA**

| CODE         | DESCRIPTION | FLUIDS TYPE | FLOW RATE |     | VOLTAGE                |                       |            |           | RPM  | INLET OUTLET |     | FLANGE CONNECTION | BYPASS VALVE | INLET FILTER |
|--------------|-------------|-------------|-----------|-----|------------------------|-----------------------|------------|-----------|------|--------------|-----|-------------------|--------------|--------------|
|              |             |             | L/MIN     | GPM | SINGLEPHASE MOTOR V/Hz | THREEPHASE MOTOR V/Hz | POWER WATT | AMP. MAX. |      | BSP          |     |                   |              |              |
| <b>E 80</b>  |             |             |           |     |                        |                       |            |           |      |              |     |                   |              |              |
| 000305000    | E 80 M      |             | 70        | 18  | 230/50                 | -                     | 500        | 3,5       | 1400 | 1"           | YES | YES               | NO           |              |
| 000307000    | E 80 T      |             | 70        | 18  | -                      | 400/50                | 550        | 1,6       | 1450 | 1"           | YES | YES               | NO           |              |
| <b>E 120</b> |             |             |           |     |                        |                       |            |           |      |              |     |                   |              |              |
| 000326000    | E 120 M     |             | 100       | 26  | 230/50                 | -                     | 750        | 5,7       | 1450 | 1"           | YES | YES               | NO           |              |
| 000312000    | E 120 T     |             | 100       | 26  | -                      | 400/50                | 750        | 2,2       | 1450 | 1"           | YES | YES               | NO           |              |