

BL Series Brake Lathes

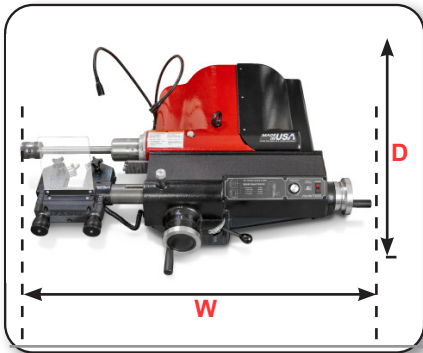
SPECIFICATIONS



BL70° shown w/ optional bench, Hood, and Tablet

Location	Power Requirements	
	BL0x and BL1x	BL2x and BL3x (W/ ACT / Digi-Cal)
Standard	220 V, 7.5 A, 50-60 Hz 1ph	220 V, 7.5 A, 50-60 Hz 1ph
Optional	115 V, 15 A, 50-60 Hz 1ph	NA
Base Model		W/Anti-Chatter Technology
Rotor Diameter**	152.4-584.2 mm (6-22 in.)	152.4-584.2 mm (6-22 in.)
Rotor Max Width	136.5 mm (5 3/8 in.)	136.5 mm (5 3/8 in.)
Rotor Max Thickness	50.8 mm (2 in.)	50.8 mm (2 in.)
Drum Diameter**	152.4-609.6 mm (6-24 in.)	152.4-609.6 mm (6-24 in.)
Drum Max Width	203.2 mm (8 in.)	203.2 mm (8 in.)
Max Arbor Weight*	90.7 kg (200 lbs)*	90.7 kg (200 lbs)*
Motor	1.12 kw (1.5 hp)	1.12 kw (1.5 hp)
Spindle Speeds	85,110,175 rpm	85,110,175 rpm
Feed Rate	.05 -.36 mm/rev. (002-.014 in./rev) Infinitely Variable	.05 -.36 mm/rev. (002-.014 in./rev) Infinitely Variable

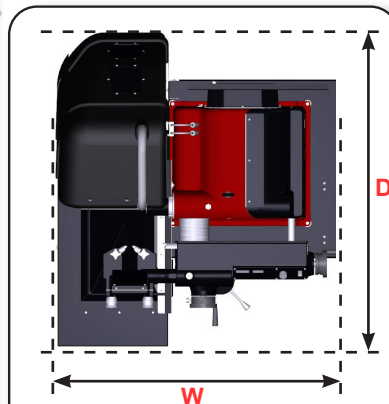
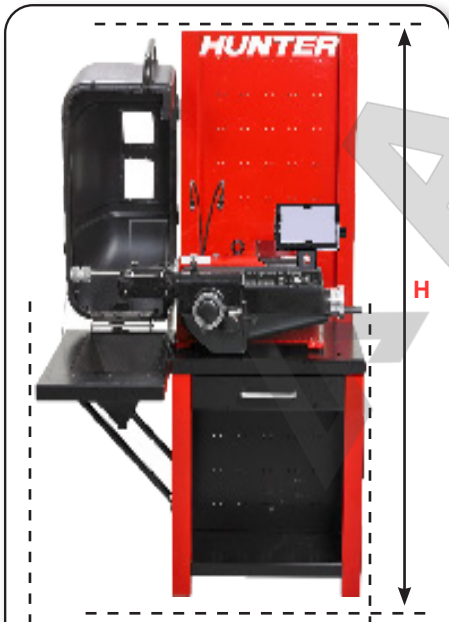
*with 1-7/8" Arbor. **19.5" with Hood



	BL60	BL60°	BL60°°	BL70	BL70°	BL70°°
Rotor Capability				✓	✓	✓
ACT/DigiCal	✓	✓	✓	✓	✓	✓
Bench		✓	✓		✓	✓
Dust Collection Hood		✓	✓		✓	✓
Touch Screen Tablet	✓	✓	✓	✓	✓	✓
Width (W)	1219 mm (48")	1143 mm (45")	1219 mm (48")	1105 mm (43.5")	1143 mm (45")	1219 mm (48")
Height (H)	330 mm (13")	1918 mm (75.5")	1918 mm (75.5")	330 mm (13")	1918 mm (75.5")	1918 mm (75.5")
Depth (D)	927 mm (36.5")	1041 mm (41")	1359 mm (53.5")	927 mm (36.5")	1041 mm (41")	1359 mm (53.5")

° with optional Bench

°° with optional Bench and Dust Collection Hood



For general inquiries visit:
www.hunter.com/en-int/
 or call
1-314-731-3020

Because of continuing technological advancements, specifications, models and options are subject to change without notice.