

WARNING

After Electrical installation close the cover as indicated.
Consult User Manual before to install product.

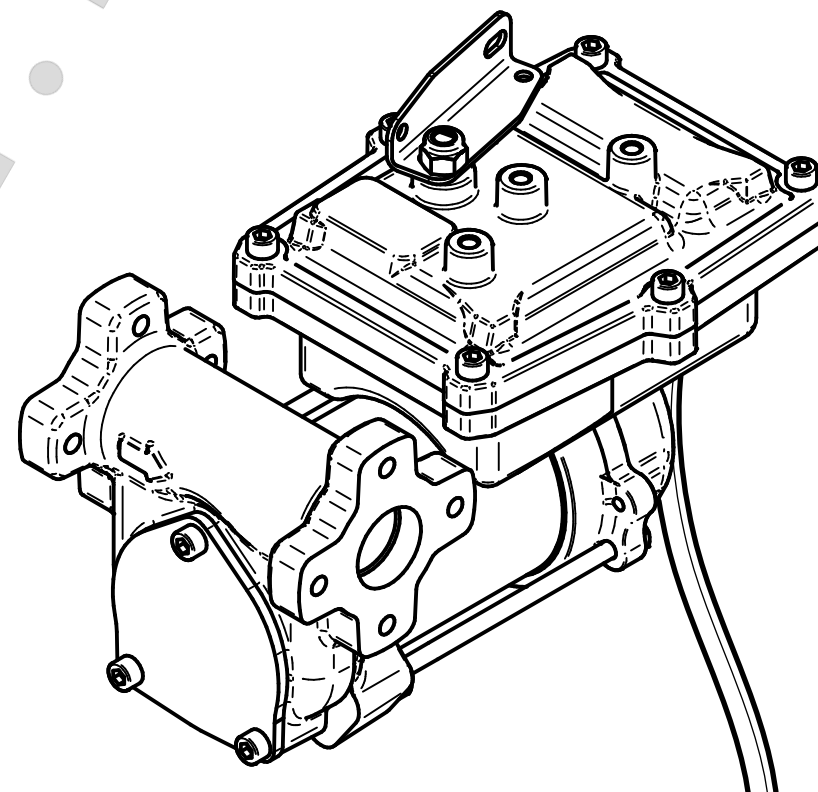
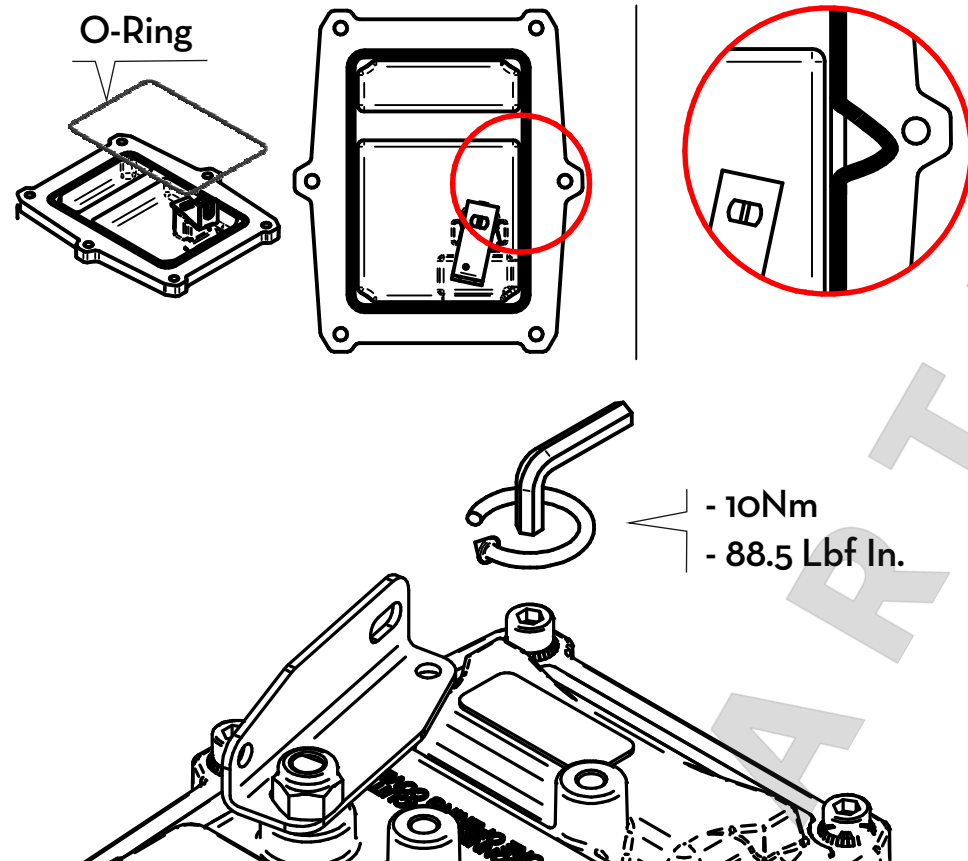


*Fluid Handling
Innovation*

**EX50 230V
ELECTRICAL
INSTALLATION**

YES

NO



piusi.com
PIUSI SpA • Suzzara MN Italy

MO403 EN _ REV00

**MADE
IN
ITALY**

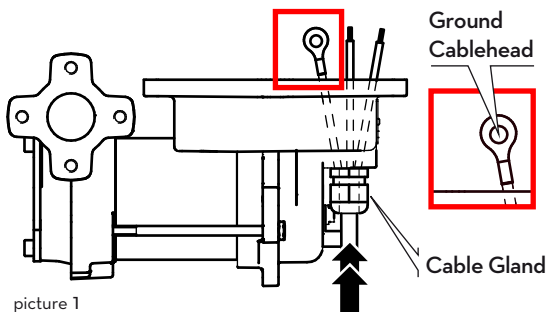
Electrical Installation

1. ELECTRICAL INSTALLATION

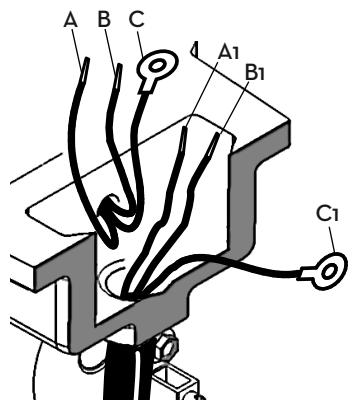
- Fix 1/2" NPT Cable Gland Type EX-d to pump (pict. 1).
- Connect the supply cable through the cable gland (Supply Voltage 230v 50Hz) like shown in the pictures 2,3.

! WARNING

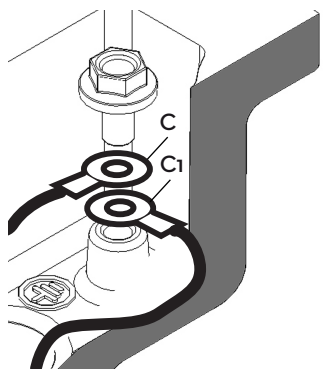
Use caution when connecting the power supply cable, the live conductor and neutral conductor are not in contact.



picture 1



picture 2



picture 3

WIRES:

A - B - C = Pump Wires
 A1 - B1 - C1 = Supply cable Wires

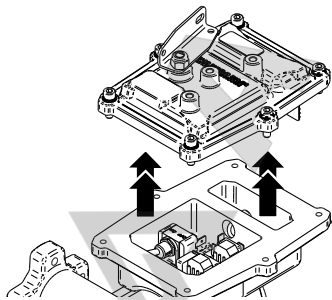
CONNECTIONS:

A (black) - A1 = Live Conductor
 B (blue) - B1 = Neutral Conductor
 C (yellow/Green) - C1 = Ground (*)
 (*) Connect ground wires to pump case like shown in picture 3.

2. REPLACING THE FUSE

! WARNING

Before changing the fuse, be sure to disconnect power to the pump and remove pump cover.

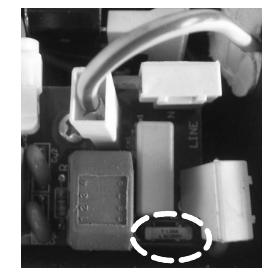


Translated from Italian

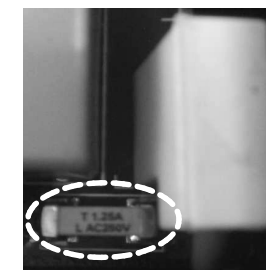
Identify the fuse to replace (pictures 4, 5, 6).



picture 4

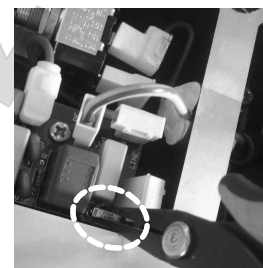


picture 5

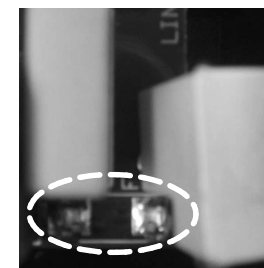


picture 6

To make it easier the replacement of fuse it recommended to use a Clamp Long Noise (as shown pict. 7,8).



picture 7



picture 8



picture 9

Take the fuse in the box (pict.9,10). Remove n.2 clips from fuse as image (pict. 11).

Insert the new fuse inside board as image (pict. 12,13,14).



picture 10



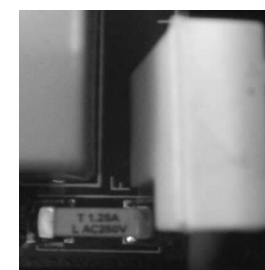
picture 11



picture 12



picture 13



picture 14