



LUBE KITS



PUMPS



METERS



METERED NOZZLES



NOZZLES



FILTRATION

VISCOMAT GEAR

FEATURES

- ADJUSTABLE BYPASS
- SUPER SILENT
- SMALL SIZE
- EASY TO FIT
- HIGH PRESSURE

The Piusi VISCOMAT GEAR is an electric gear pump suitable for transferring high viscosity oils. The built-in adjustable bypass allows to regulate the delivery pressure.

PERFORMANCE

up to
2000
cSt
VISCOSITY

up to
2.4 GPM
FLOW RATE

BELOW
77 DB
NOISE LEVEL**

up to
174 PSI
PRESSURE



VISCOMAT GEAR



PACKAGING

PART #	WEIGHT		PACKAGING			
	KG	LBS	MM	INCH	PCS/PALLET	PCS/BOX
FO030420D	9	19.8	350X200X280	13.8X7.9X11	-	1
FO030421D	14	31	356X279X203	14X11X8	-	1



AIR



ANTIFREEZE



DEF



BIODIESEL



DIESEL



FOOD



GASOLINE



GREASE



KEROSENE



OIL

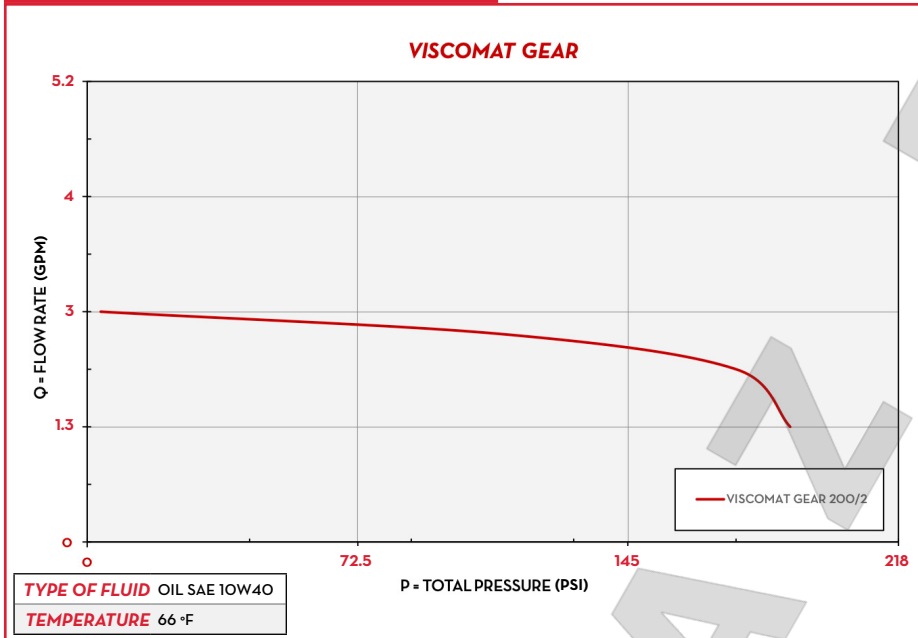


WATER



WINDSCREEN

CHARTS



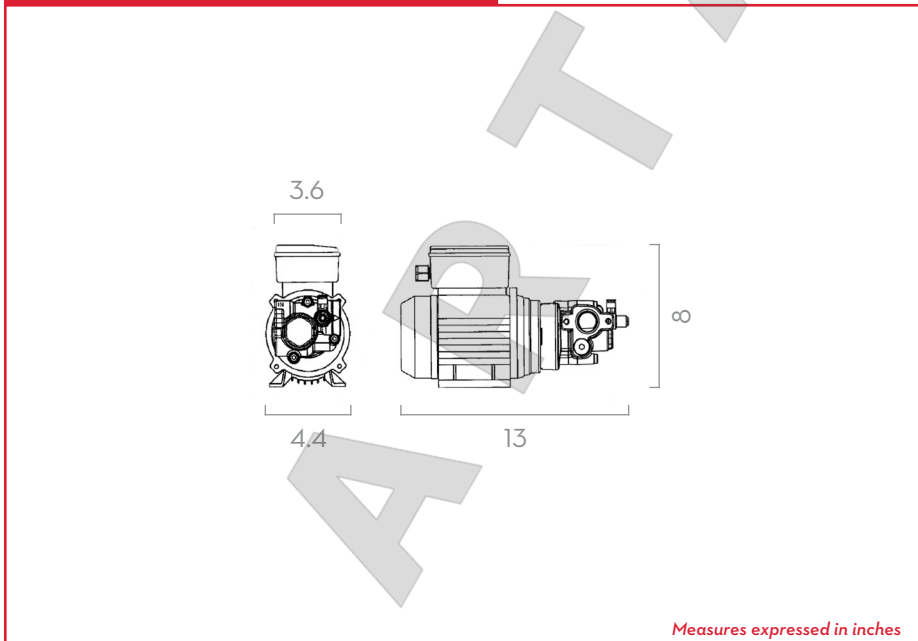
IN THE BOX

- KIT PRIMING DEVICE
- VISCOMAT GEAR PUMP
- INSTRUCTION MANUAL

DETAILS



DIMENSIONS



MATERIALS

- BODY: CAST IRON
- GEARS: SINTERED STEEL
- SHAFT: STEEL
- BYPASS: BRASS

TECHNICAL DATA

PART #	DESCRIPTION	FLUIDS TYPE	FLOW RATE		WORKING PRESSURE		VOLTAGE			RPM	INLET OUTLET NPT	BYPASS VALVE
			L/MIN	GPM	BAR	PSI	MOTOR V./ HZ	POWER WATT	AMP. MAX.			
FO030420D	VISCOMAT 200/2 - 170PSI - 120V W/O CABLE		9	2.4	12	170	120/60	1500	15	1730	3/4"	YES
FO030421D	VISCOMAT 200/2 170 PSI-120V-CABLE-SWITCH		9	2.4	12	170	120/60	1500	15	1730	3/4"	YES