

# ST 200 AC

## FEATURES

- **STURDY METALLIC FRAME**
- **READY TO USE**
- **EASY TO MOVE**
- **HEAVY DUTY**

The PIUSI ST 200 AC is a dispenser that allows high flow refueling thanks to the two integrated E120 self-priming rotary electric vane pumps. Fitted with by-pass valve and elevated reliability seal, the dispenser works even at low working temperatures and in every condition on worksites. The oval gear mechanical flow meter guarantees great precision (available on request). It is also available with wheels and handle (on request) for easier handling.

### PERFORMANCE

UP TO  
**200 L/MIN**

FLOW RATE

**AC**  
CONTINUOUS DUTY

POWER



ST 200 AC



HANDY KIT: VERSION WITH WHEELS AND HANDLE

### PACKAGING

CODE	WEIGHT		PACKAGING		
	KG	LBS	MM	INCH	PCS/BOX
FO0315000	46	101	587X395X420	23,1X15,6X16,5	1
F16860000	-	-	-	-	-

FILTRATION

TANK MONITORING

HOSE REEL

ACCESSORIES

MERCHANDISE

A

AIR

A

ANTIFREEZE

Ad

AdBlue®

B

BIODIESEL

D

DIESEL

F

FOOD

G

GASOLINE

G

GREASE

K

KEROSENE

O

OIL

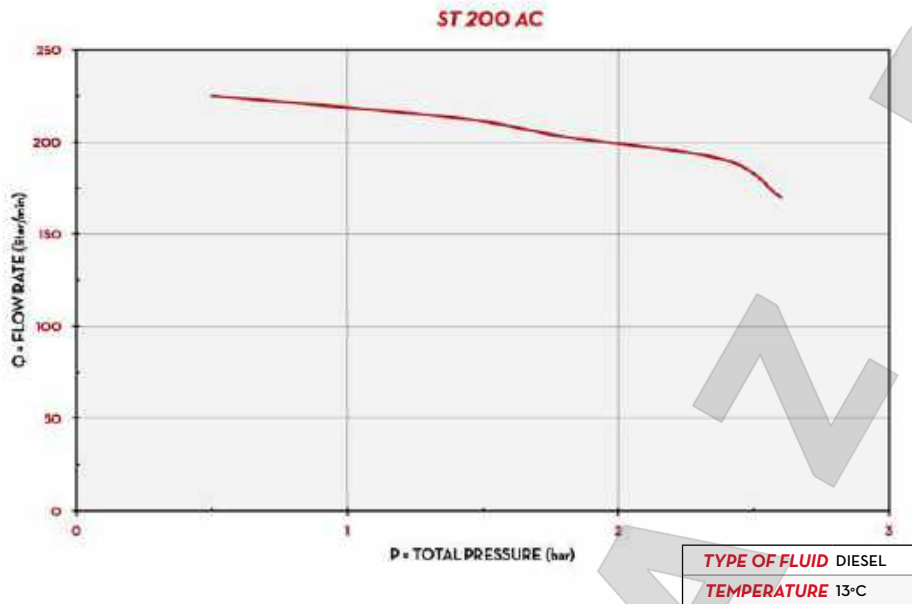
W

WATER

W

WINDSCREEN

## CHART



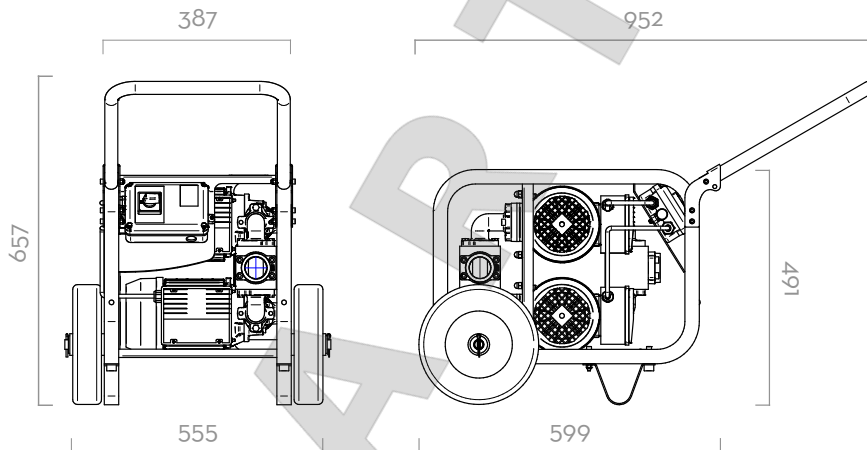
## IN THE BOX

- ST 200 AC UNIT
- INSTRUCTION MANUAL

## DETAILS



## DIMENSIONS



*Dimensions expressed in millimeters*

## MATERIALS

- BODY: CAST IRON
- ROTOR: SINTERED STEEL
- VANES: ACETAL RESIN
- SEAL: VITON
- SHAFT: STEEL

## TECHNICAL DATA

CODE	DESCRIPTION	FLUIDS TYPE	FLOW RATE		VOLTAGE			PUMP		MAX PRESSURE	OUTLET
			L/MIN	GPM	AC V/HZ DC VOLT	POWER WATT	AMP. MAX.	TYPE	N°	BAR	BSP
FOO315000	ST 200 BASIC	D	200	52,7	230/50	2050	10	E 120	2	2,5	1" 1/2
FI6860000	HANDY KIT (HANDLE + WHEELS)	D	-	-	-	-	-	-	-	-	-