



KITS



PUMPS



METERS



METERED NOZZLES



NOZZLES


 WASTE OIL  
 EQUIPMENTS

# VISCOTROLL VANE

## FEATURES

- HIGH CAPACITY PUMP
- READY TO USE
- ROTATING DISC FLOW METER (K33 ONLY)
- STURDY DESIGN CART

The PIUSI VISCOTROLL VANE is a mobile oil dispenser suitable to transfer low viscosity lubricants. This versatile mobile cart includes the AC powered PIUSI VISCOMAT PUMP, and SELF3000 manual nozzle.

### PERFORMANCE

UP TO

**25 L/MIN**

FLOW RATE

BELOW

**70 DB**

NOISE LEVEL

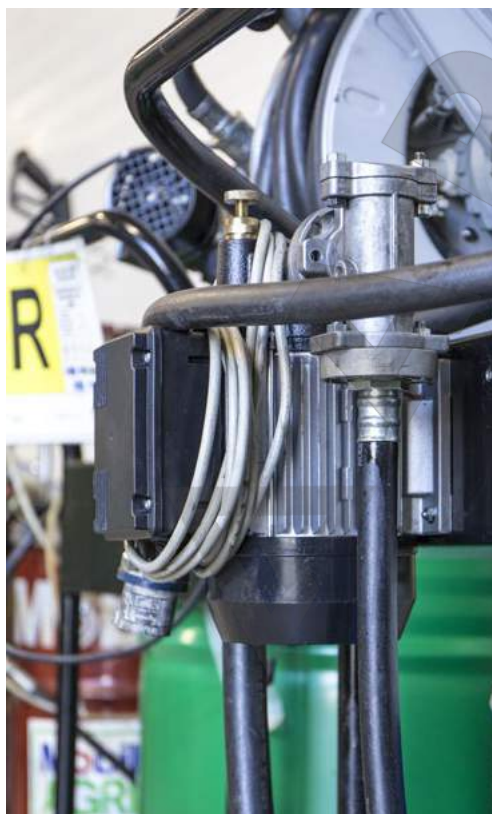
**± 1%**

ACCURACY

UP TO

**500 cSt**

VISCOSITY


**VISCOTROLL VANE**


### PACKAGING

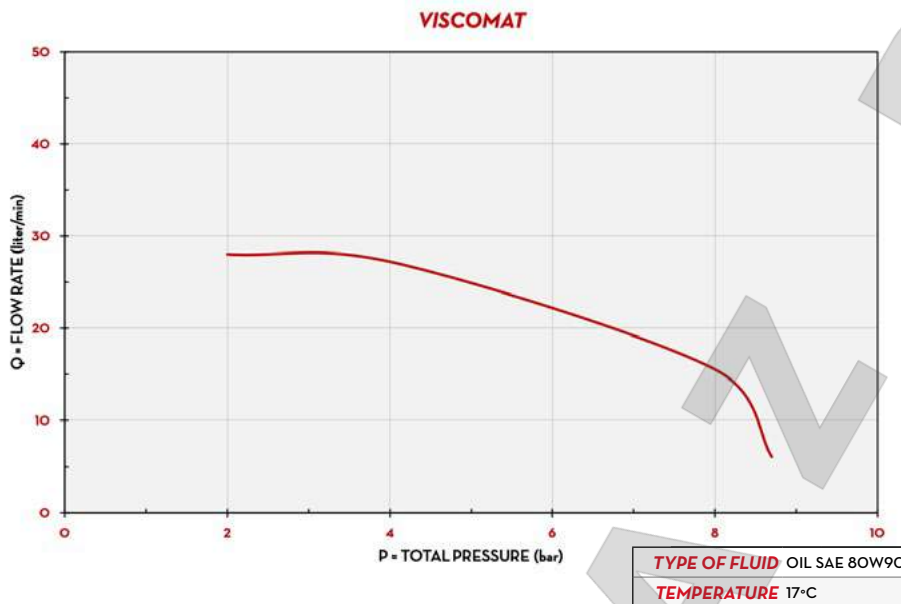
CODE	WEIGHT		PACKAGING			
	KG	LBS	MM	INCH	PCS/PALLET	PCS/BOX

#### VISCOTROLL VANE

000263100	34	75	1090X690X300	42,9X27,2X11,8		1
000263110	36	79,4	1090X690X300	42,9X27,2X11,8		1

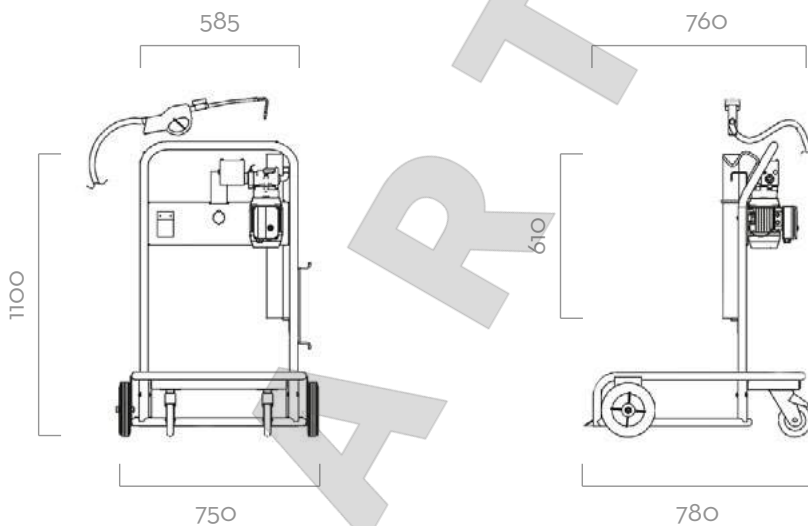


INDEX


**CHART**

**IN THE BOX**

- VISCOMAT PUMP
- FOOT VALVE
- SELF3000 NOZZLE
- CART
- INSTRUCTION MANUAL

**DETAILS**

**DIMENSIONS**


Dimensions expressed in millimeters

**MATERIALS/COMPONENTS**

- **PUMP:**  
VISCOMAT VANE PAG. 32
- **METERS:**  
K33 PAG. 82
- **NOZZLE SELF3000:**  
BODY: ALLUMINIUM  
SEAL: VITON

**TECHNICAL DATA**

CODE	DESCRIPTION	FLUIDS TYPE	FLOW RATE		VISCOSITY CST MAX.	VOLTAGE			METER MOD.	PUMP MOD.	NOZZLE TYPE
			L/MIN	GPM		AC V./HZ DC VOLT	POWER WATT	AMP. MAX.			
000263100	VISCOTROLL 70		25	6,6	500	230/50	750	4,6	-	VISCOMAT 70M	SELF3000
000263110	VISCOTROLL 70/K33		25	6,6	500	230/50	750	4,6	K33	VISCOMAT 70M	SELF3000

UPON REQUEST IT IS AVAILABLE WITH DIFFERENT VOLTAGE AND FREQUENCY