



KITS



PUMPS



METERS



METERED NOZZLES



NOZZLES


 WASTE OIL  
 EQUIPMENTS

# K600/3

## FEATURES

- ADJUSTABLE FLANGES
- EXTREMELY ACCURATE
- SUITABLE FOR INDUSTRIAL APPLICATIONS
- IDEAL FOR MOBILE INSTALLATIONS
- LOW ENERGY CONSUMPTIONS

The PIUSI K600/3 is an oval gear meter suitable for measuring the delivery of low, medium and high viscosity oils. The meter is equipped with an integrated filter and it is available also in pulser version.

### PERFORMANCE

UP TO <b>6-60 L/MIN</b>	<b>30-70BAR</b>
FLOW RATE	OPERATING PRESSURE
<b>± 0,5%</b>	<b>0,2%</b>
ACCURACY	REPEATABILITY

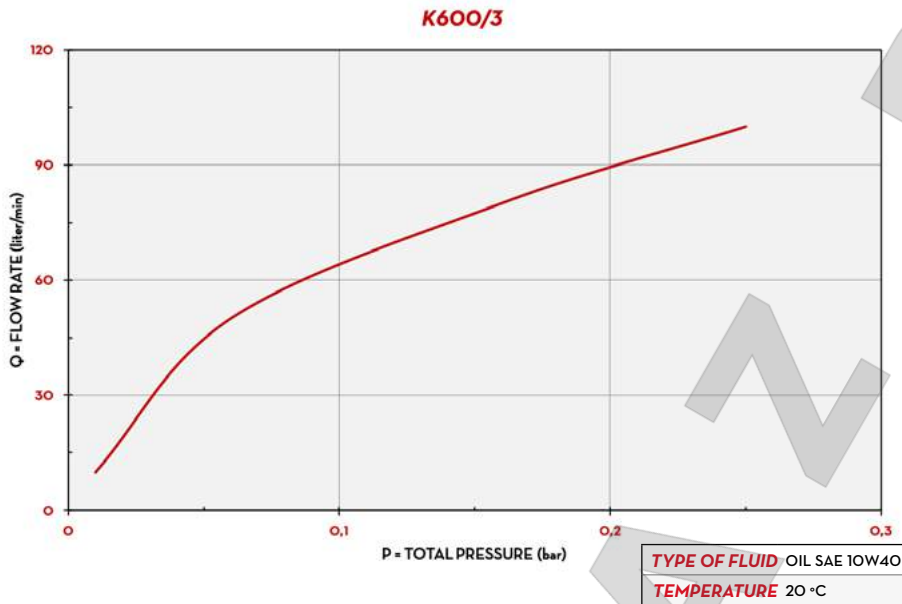

**K600/3**
**K600/3 PULSER**

### PACKAGING

CODE	WEIGHT		PACKAGING			
	KG	LBS	MM	INCH	PCS/PALLET	PCS/BOX
<b>METERS</b>						
FOO496A20	1,6	3,5	200X120X140	7,9X4,7X5,5		1
<b>PULSER</b>						
FOO472A20	2	4,4	200X120X140	7,9X4,7X5,5		1



### CHART



### IN THE BOX

- K600/3 METER
- INSTRUCTION MANUAL

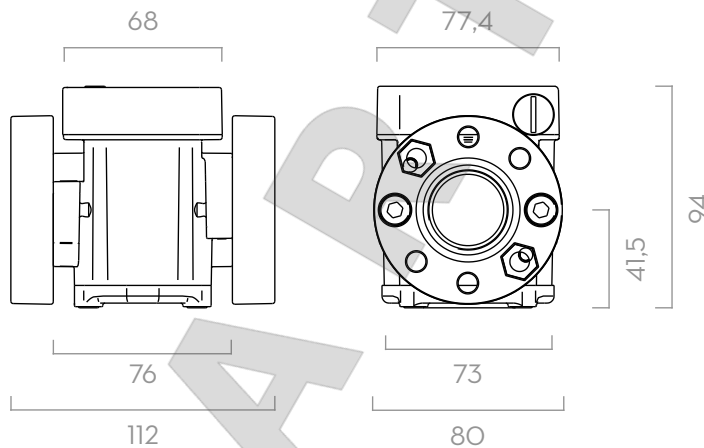
### DETAILS



### MATERIALS

- BODY: ALLUMINIUM
- GEARS: TECHNOPOLYMER

### DIMENSIONS



Dimensions expressed in millimeters

### TECHNICAL DATA

CODE	DESCRIPTION	FLUIDS TYPE	FLOW RATE		WORKING PRESSURE		BATTERY INCLUDED NO. 2 X1,5V	FLANGE	INLET OUTLET	INLET FILTER
			L/MIN	GPM	BAR	PSI				
<b>METER</b> FOO496A20	K600/3 METER " BSP OIL		6 - 60	1,58 - 1,58	70	994	YES	YES	3/4" BSP	YES
<b>PULSER</b> FOO472A20	K600/3 PULSER " BSP OIL		6 - 60	1,58 - 1,58	70	994	NO	YES	3/4" BSP	YES

UPON REQUEST AVAILABLE IN NPTF VERSION AND DISPLAY IN GALLON/QUARTER OR PRINT