

# K600/4

## FEATURES

- EASY TO INSTALL AND TO CALIBRATE
- VERSATILE
- HIGH PRECISION

The PIUSI K600/4 is an oval gear meter suitable for monitoring the delivery of fuels. This special version is particularly suitable for all applications in the industrial sector.

### PERFORMANCE

**15-150**

 L/MIN  
 FLOW RATE

**20 BAR**

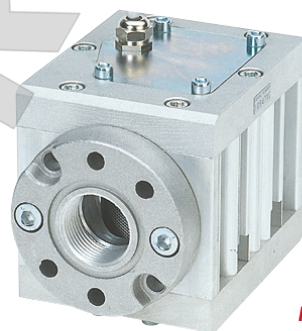
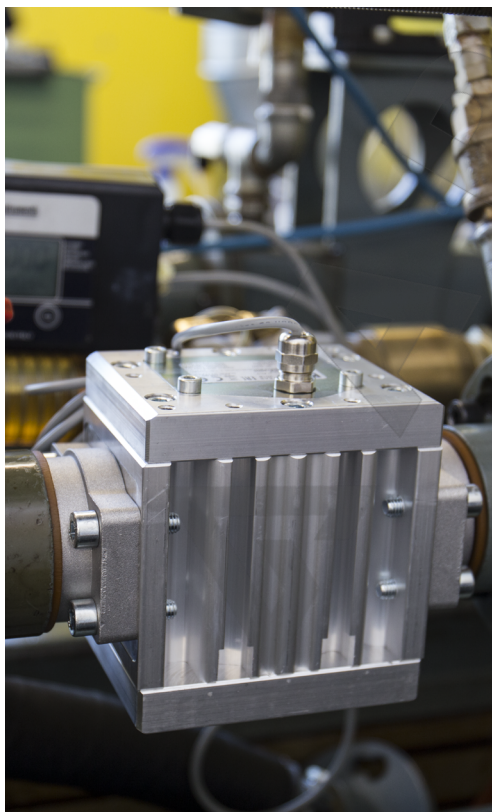
 MAX  
 OPERATING PRESSURE

**± 0,5%**

ACCURACY

**0,2%**

REPEATABILITY


**K600/4**

**K600/4 PULSER**


### PACKAGING

CODE	WEIGHT		PACKAGING		
	KG	LBS	MM	INCH	PCS/BOX
<b>METER</b>					
00049700A	3,2	7	200X120X140	7,9X4,7X5,5	1
<b>PULSER</b>					
000473000	3,2	7	200X120X140	7,9X4,7X5,5	1



AIR



ANTIFREEZE



AdBlue®



BIODIESEL



DIESEL



FOOD



GASOLINE



GREASE



KEROSENE



OIL

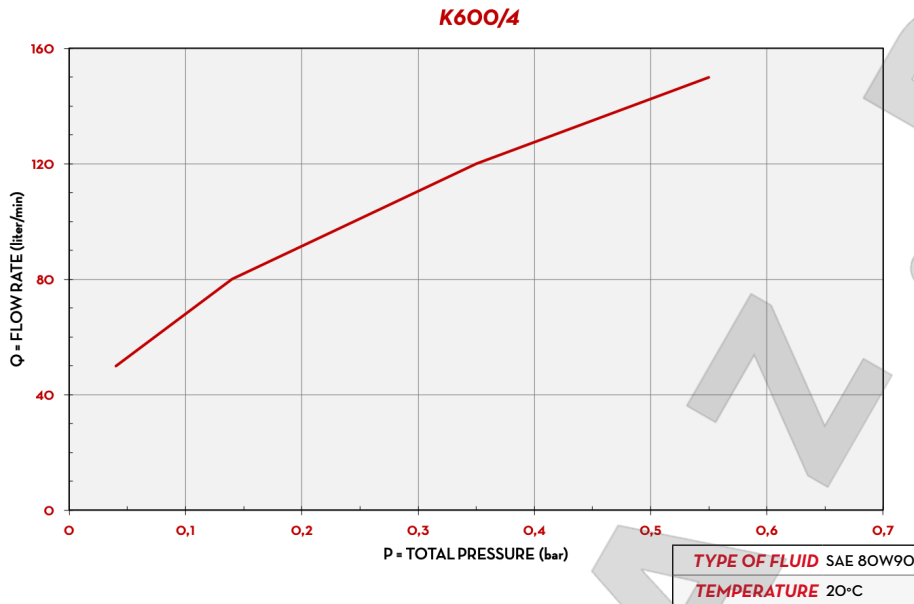


WATER



WINDSCREEN

### CHART



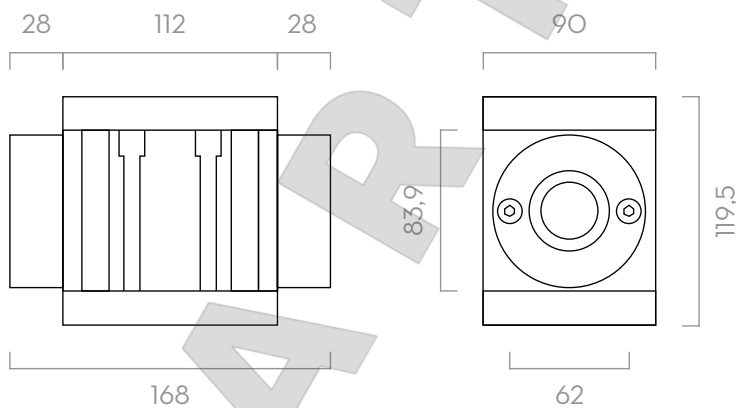
### IN THE BOX

- K600/4 METER
- FLANGES
- INSTRUCTION MANUAL

### DETAILS



### DIMENSIONS



Dimensions expressed in millimeters

### MATERIALS

- BODY: ALUMINIUM
- GEARS: TECHNOPOLYMER

### TECHNICAL DATA

CODE	DESCRIPTION	FLUIDS TYPE	FLOW RATE		PULSER		PRESSURE		BATTERY N°2 X 1,5V (INCLUDED)	FLANGE	INLET / OUTLET	INLET FILTER
			L/MIN	GPM	P/L	GPM	BAR	PSI				
<b>METER</b>												
00049700A	K600/4		15 - 150	3,9 - 39	-	-	20	284	YES	YES	11/2" BSP	YES
<b>PULSER</b>												
000473000	K600/4 PULSER		15 - 150	3,9 - 39	26	98	20	300	NO	YES	11/2"	YES

UPON REQUEST AVAILABLE IN NPT VERSION.