



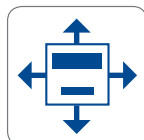
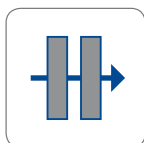
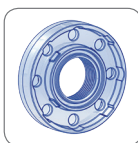
# G FLOW



OIL



DIESEL

G FLOW /  
G FLOW PULSE OUTG FLOW  
REED SWITCHDISPLAY  
BACKLIGHTOUTLET  
POSITIONDOUBLE  
REEDOVAL  
GEARFLANGE  
1" F

FEATURES	DISPLAY	PULSES	REED SWITCH
Measuring system:	oval gear	oval gear	oval gear
Protection:	IP55	IP55	IP55
Power supply:	2 x 1,5V AAA	12V DC - 10 mA (yellow +12V, brown 0V)	max 200 Vdc 0,5 A; max 140 Vac 0,35 A"
Pulse signal [imp/out]:	/	100 calibrated	79
Cable [m]:	/	2, flame retardant	2, flame retardant
Partial [digits]:	4 + 2 decimal	4 + 2 decimal	/
Totalizer [digits]:	6	6	/
Unit of measure:	liters, gallons, pints, quarts, customized		/
Battery level indicator:	Yes	No	No
Min Flow rate [l/min / GPM]:	10 / 1,32	10 / 1,32	10 / 1,32
Max Flow rate [l/min / GPM]:	110 / 26,42	110 / 26,42	110 / 26,42
Max Pressure [bar/psi]:	70/994	70/994	70/994
Precision[%]:	± 0,3 (*)	± 0,3 (*)	± 0,5
Repeatability [%]:	0,2	0,2	0,2
Pressure drop @ 60lpm [Bar]	0,5	0,5	0,5
Display rotation:	Complete with shots 90°	Complete with shots 90°	/
Inlet/outlet[BSP/G]:	Flange 1" F"	Flange 1" F"	Flange 1" F"
Body material:	Aluminum	Aluminum	Aluminum
Gear material:	POM-C	POM-C	POM-C
O-Ring material:	NBR	NBR	NBR
Other materials in contact with the fluid:	Brass, Steel, NdFe	Brass, Steel, NdFe	Brass, Steel, NdFe
Operating temperature min/max [°C]:	-10 / +60	-10 / +60	-10 / +60
Allowed fluids	Diesel, Oil	Diesel, Oil	Diesel, Oil
Forbidden fluids	Gas, Alcohol, Gasoline, Water, Kerosene, Ad Blue®		
Loudness at 1 m [dBA]:	< 70	< 70	< 70
Net weight [Kg]:	1,8	1,6	1,6
Single size packaging [mm]:	1 160 x b 120 x h 110	1 160 x b 120 x h 110	1 160 x b 120 x h 110
Gross weight [Kg]:	2,2	2,2	2,2

## FUNCTIONS:

Partial reset  
Total non-resettable  
Resettable totalizer period  
Instantaneous flow rate display

Calibration  
Display latest 5 disbursements  
Display stock  
Alarm low stock

(\*): Measurement performed after calibration up to 90 LPM, over 90 LPM the precision reaches ± 0.5%

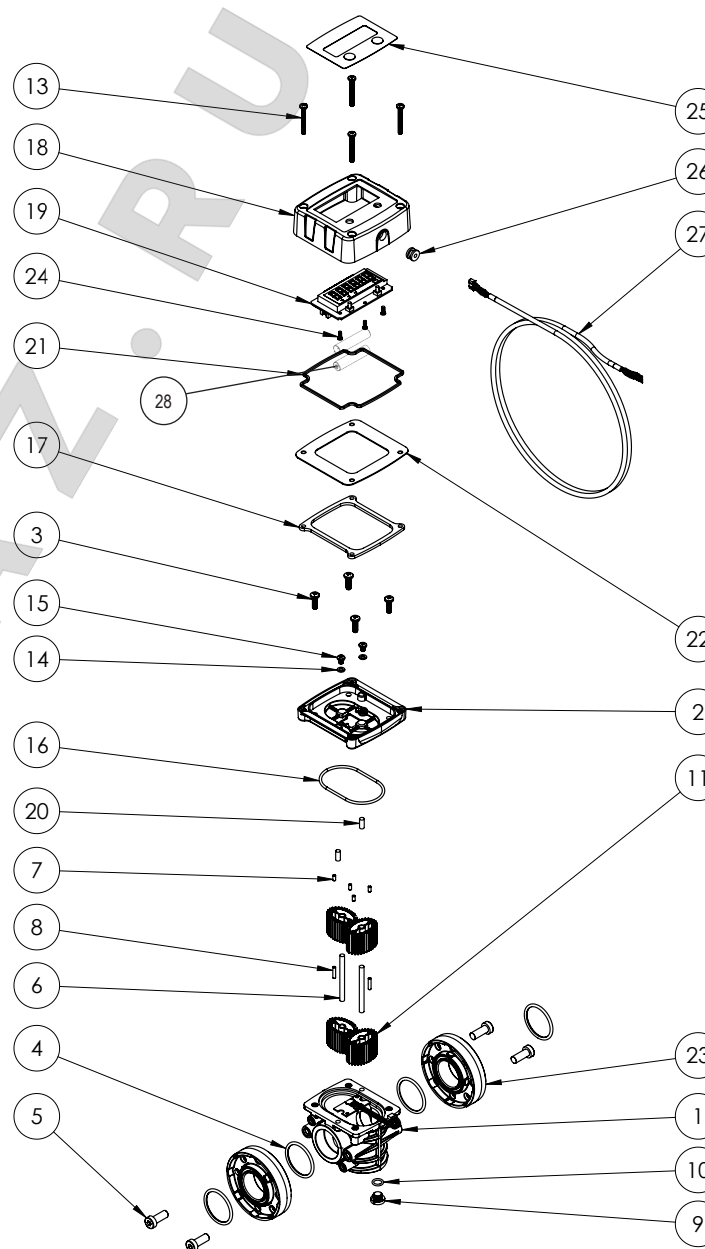


category

digital flowmeter

# GFlow display - pulse out

	CODE		DESCRIPTION	QTY
	DISPLAY	PULSE OUT		
1	TF066A	TF066A	METER BODY	1
2	TF065A	TF065A	FLANGE	1
3	VT040	VT040	SCREW TC M5x16	4
4	OR011	OR011	O-RING 37 x 3 NBR	4
5	VT045	VT045	SCREW TBEI M8X25 ZNB	4
6	TF070	TF070	CEMENTED PIN 5X60	2
7	TF040	TF040	MAGNET Ø3x6	4
8	TF071	TF071	CEMENTED PIN 3X14	2
9	TF018	TF018	CALIBRATION KNOB 1/8"	1
10	11010100200	11010100200	O-RING 108 NBR	1
11	TF068	TF068	OVAL GEAR	4
12	TF076	TF076	INLET FILTER	1
13	VT038	VT038	SCREW TC M4x35	4
14	VT036	VT036	NYLON WASHER	2
15	VT037	VT037	SCREW TC M4x6	2
16	OR031	OR031	O-RING NBR70 60X2.62	1
17	OR032	OR032	SEAL 86X82	1
18	TF067	TF067T	COVER DISPLAY	1
19	TF046GF	TF084	ELECTRONIC PCB	1
20	TF077	TF077	CEMENTED PIN 5X12	2
21	OR034	OR034	SEAL	1
22	TF073	TF073	PLATE	1
23	TF064	TF064	FLANGE 1"G	2
24	VT013	VT013	SCREW TC 3X8	3
25	MA093	MA093	FACEPLATE	1
26	-	TF052	CABLE GLAND	1
27	-	CA012	CABLE 5 POLES	1
28	TF048	-	BATTERY AAA	2



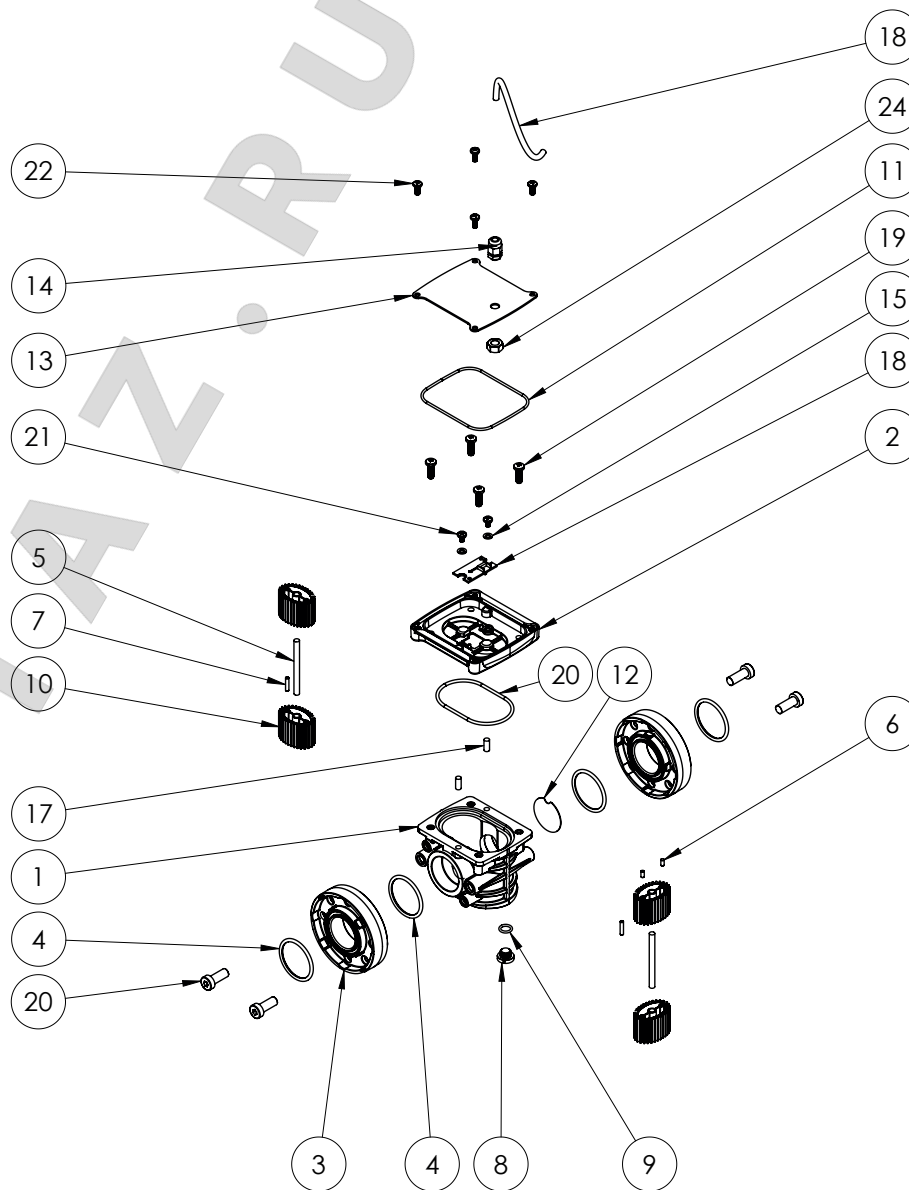


category

digital flowmeter

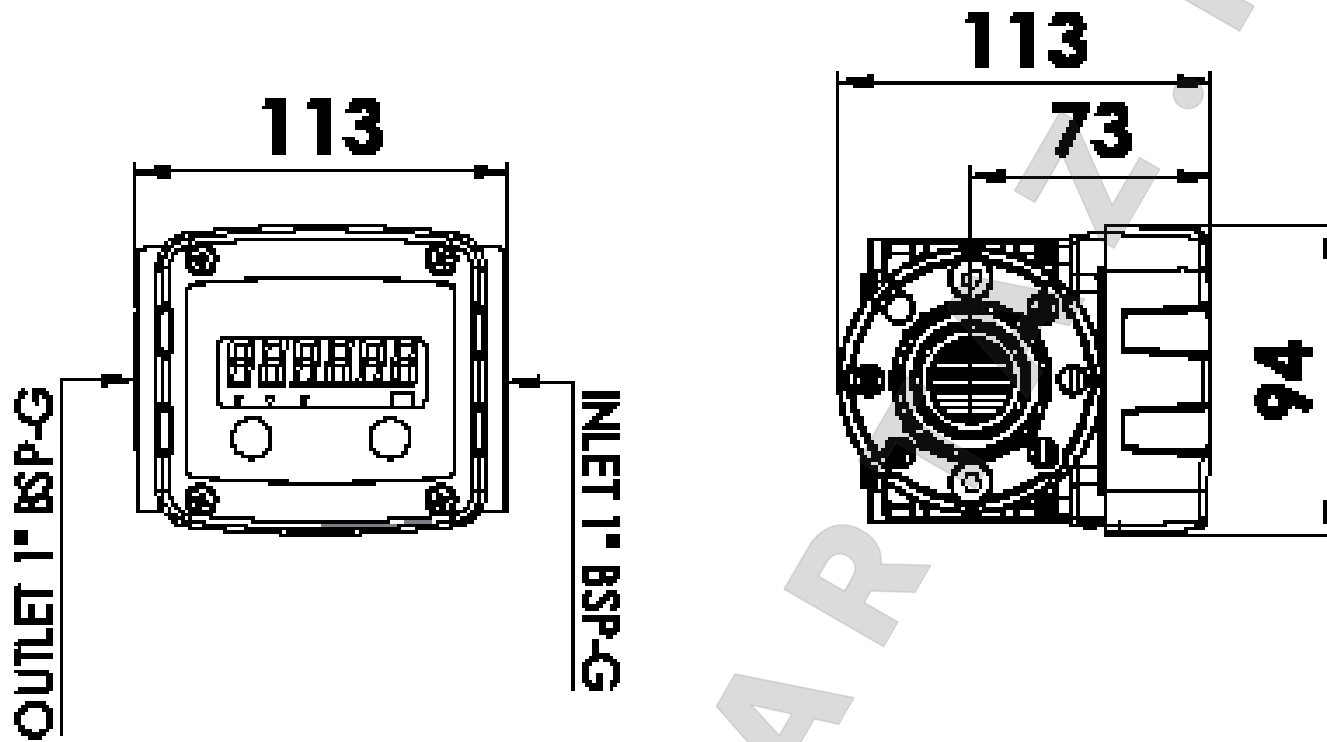
# GFlow reed switch

	CODE	DESCRIPTION	QTY
1	TF066A	Body	1
2	TF065A	Cover	1
3	TF064	Inlet flange	2
4	OR011	O-Ring 37 x 3	4
5	TF070	cemented pin 5x60	2
6	TF040	Magnet Ø3	4
7	TF071	cemented pin 3x14	2
8	TF018	calibration cap 1/8"	1
9	11010100200	O-Ring 108	1
10	TF068	oval wheel	4
11	OR033	O-Ring 6-532	1
12	TF076	Inlet filter	1
13	TF072	Cover plate	1
14	AC005	Cable gland	1
15	VT036	Nylon Washer	2
20	OR031	O-Ring 2-142	1
17	TF077	cemented pin 5x12	2
18	TF074	reed GFlow card+cable	1
19	VT040	screw M5x16	4
20	VT045	screw M8X25	4
21	VT037	screw M4x6	2
22	80901439100	screw M4x10	4





# G FLOW



tutte le dimensioni espresse in mm - all dimensions are in mm