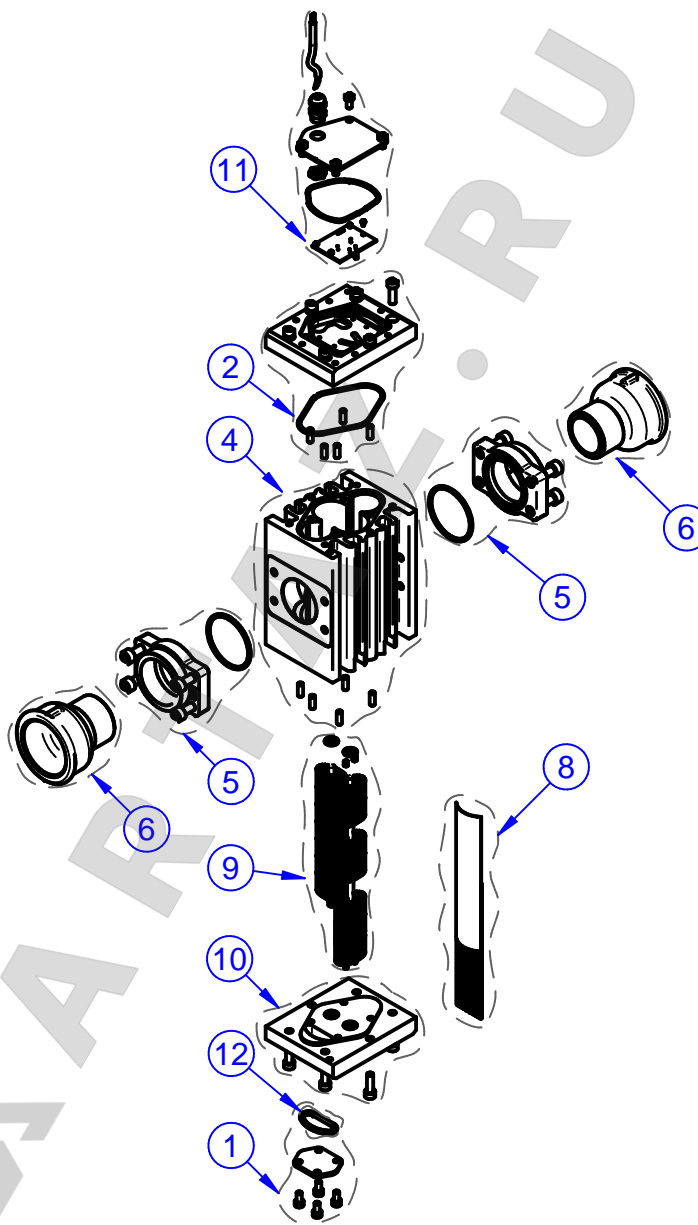


DESCRIPTION:
K700 PULSER/2" BSP

CODE:
LR_C00056

LAST RELEASE:
JULY 2019



Some components may vary in shape and color or not be present. Always follow codes and quantity shown in list. ○ fixed components □ variable components - - - only reference