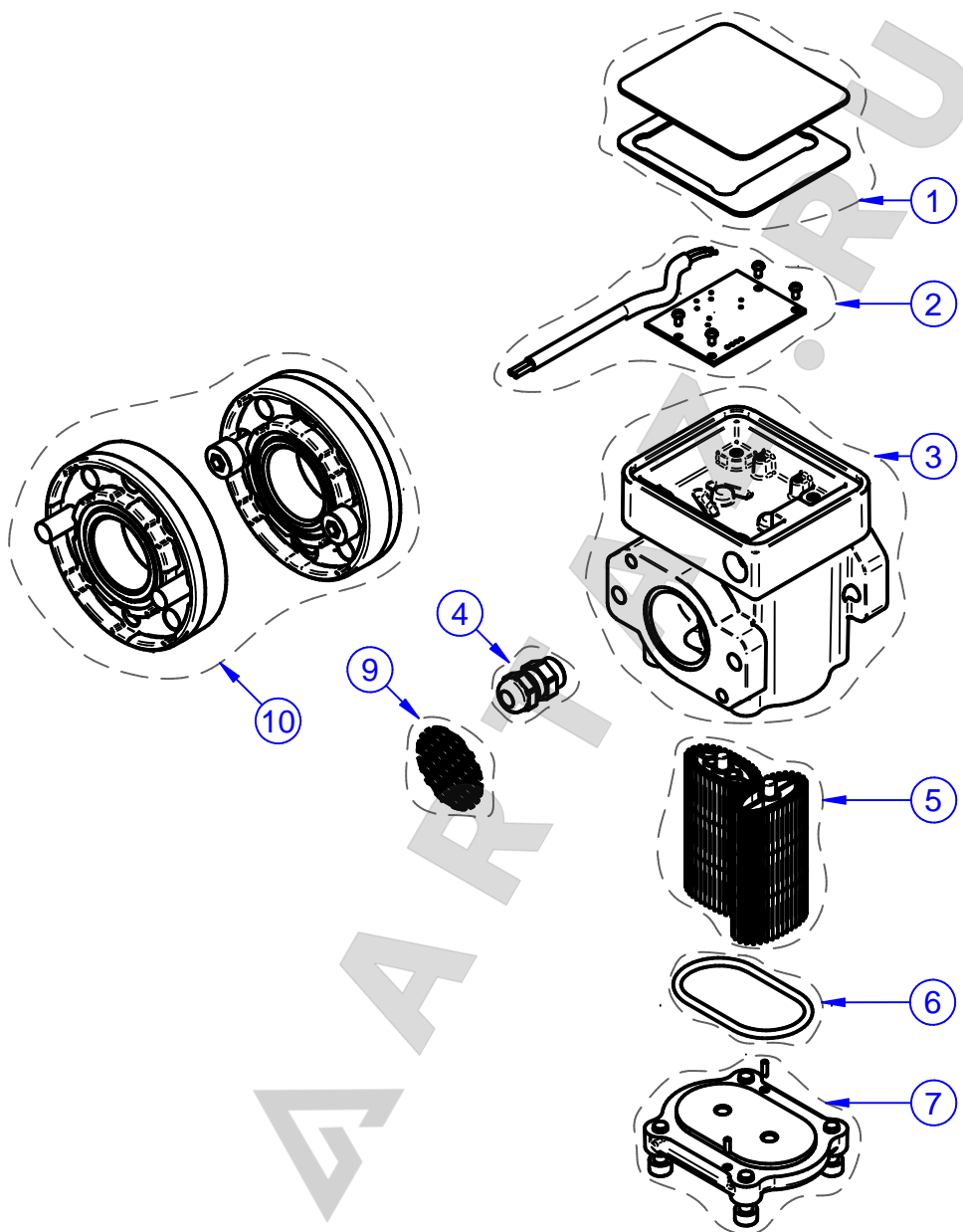


DESCRIPTION:
K600/3 PULSER METER

CODE:
LR_C00038

LAST RELEASE:
AUGUST 2019



Some components may vary in shape and color or not be present. Always follow codes and quantity shown in list. ○ fixed components □ variable components - - - only reference