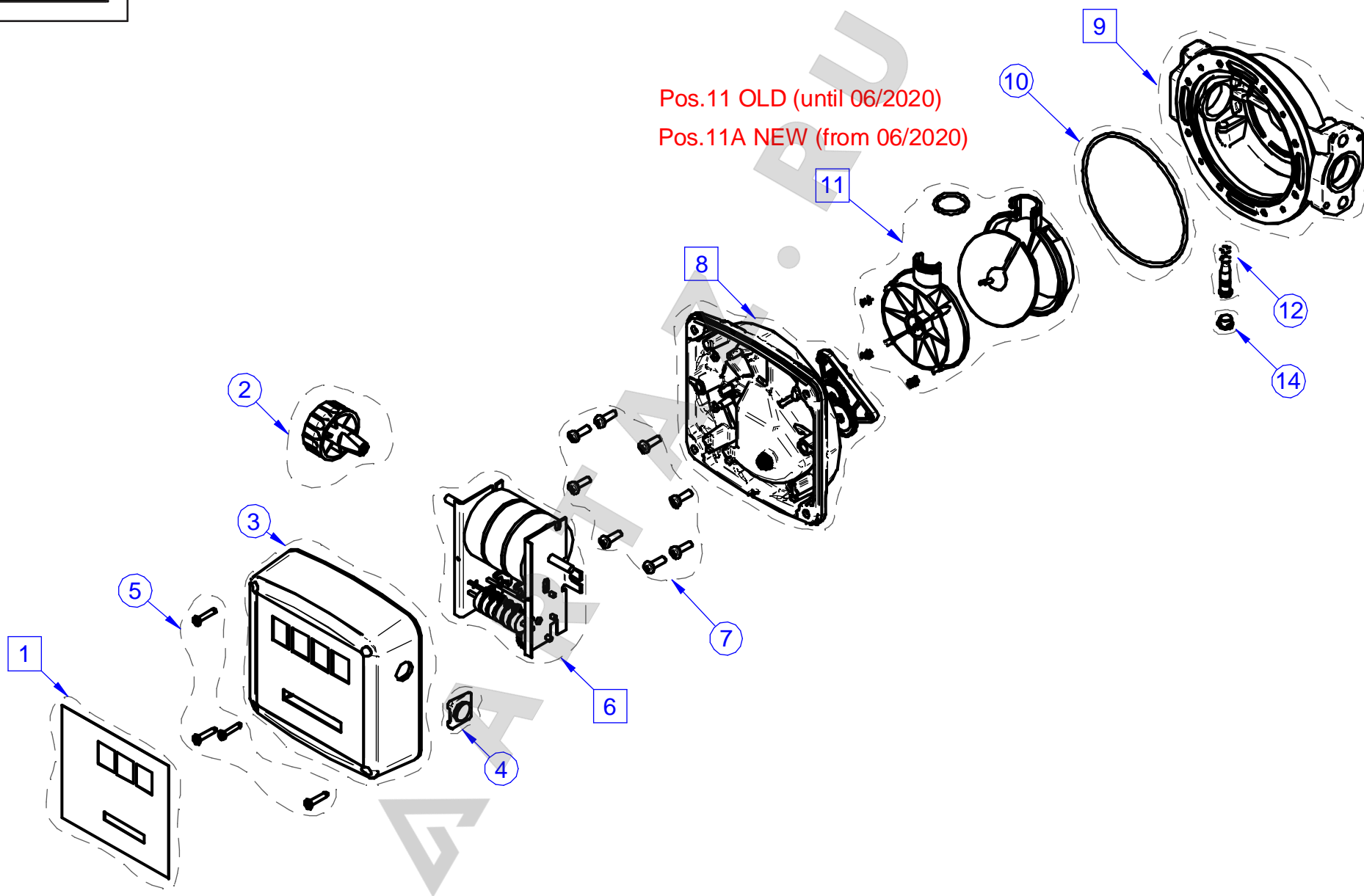


DESCRIPTION:
METER K33/K44

CODE:
LR_C00010

LAST RELEASE:
JULY 2021



Some components may vary in shape and color or not be present. Always follow codes and quantity shown in list. ○ fixed components □ variable components - - - only reference