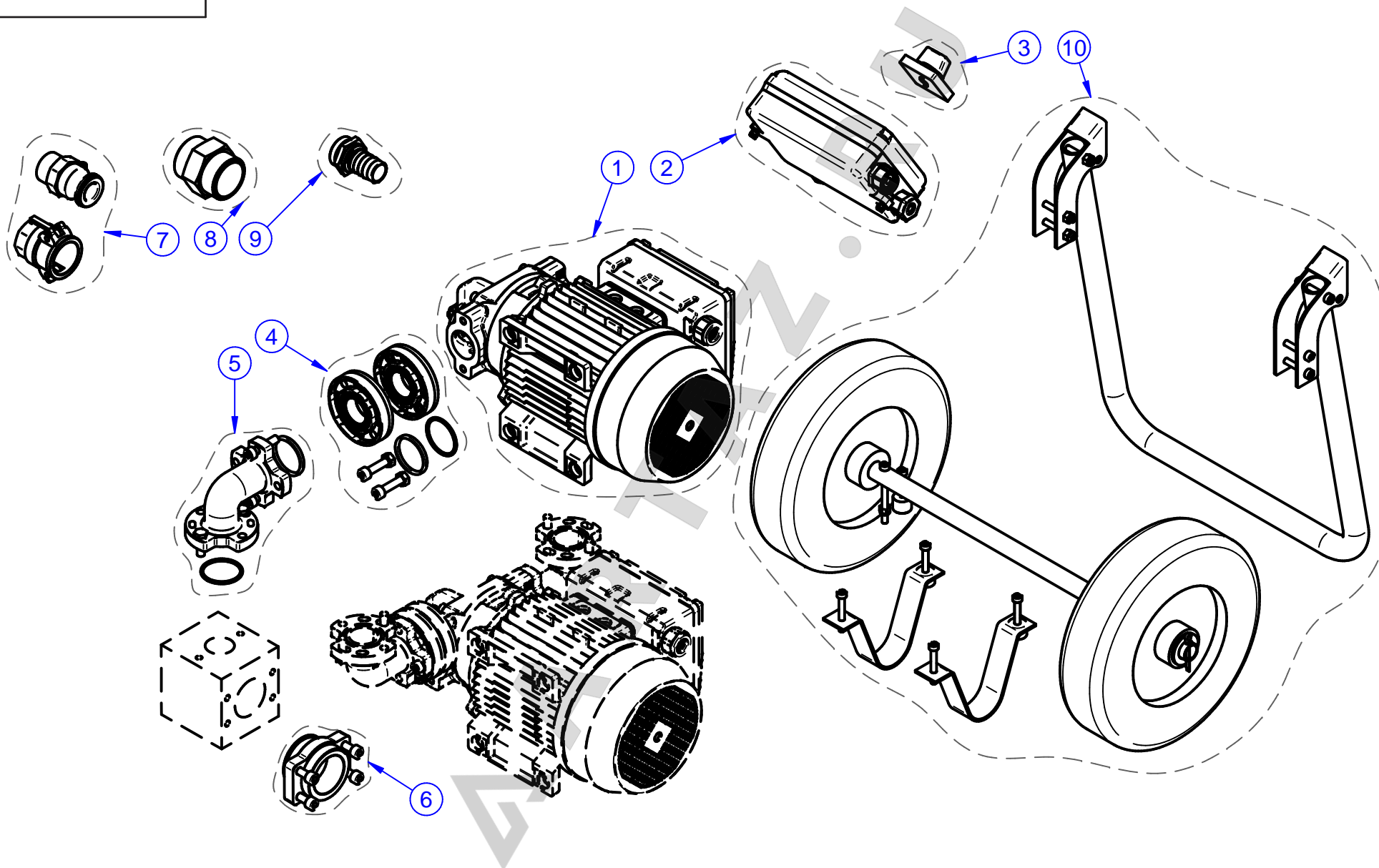


DESCRIPTION:
ST200 AC

CODE:
LR_A00080

LAST RELEASE:
OCTOBER 2019



Some components may vary in shape and color or not be present. Always follow codes and quantity shown in list. ○ fixed components □ variable components - - - only reference