



document

technical sheet

LIGHT TECH AC



DIESEL



ACCESSORIES for all versions

- 115V-60Hz motor on request
- nozzle



FEATURES	40 litre	60 litre	80 litre	100 litre
Voltage AC [V, Hz]	230, 50	230, 50	230, 50	230, 50
Current max [A]	1.1	2.4	3.5	4.1
Power [W]	253	550	800	950
Motor protection	IP 55	IP 55	IP 55	IP 55
On/Off Switch	Yes	Yes	Yes	Yes
Cable [m]	2	2	2	2
Duty Cycle [min]	S2 30	S2 30	S2 30	S2 30
Nominal Flow Rate [l/min / GPM]	40 / 10,57	60 / 15,85	80 / 21,13	100 / 26,42
Max Pressure [bar / psi]	1.3 / 19	2 / 29	2.5 / 36	2.5 / 36
Dry Suction height [m]:	2	4	2	2
Internal By-Pass	Yes	Yes	Yes	Yes
Inlet [BSP/G]	3/4" F	1" F	1" F	1" F
Outlet [BSP/G]	1" F	1" F	1" F	1" F
Pump body material	Cast Iron	Cast Iron	Cast Iron	Cast Iron
Impeller material	Sintered Steel	Sintered Steel	Sintered Steel	Sintered Steel
Vanes material	POM	POM	POM	POM
Ring material	HNBR	HNBR	HNBR	HNBR
Gasket material	NBR	NBR	NBR	NBR
Discharge hose [material, Ø, m, fittings]	rubber, 20, 4, 1"x1"	rubber, 20, 4, 1"x1"	rubber, 25, 4, 1"x1"	rubber, 25, 4, 1"x1"
Nozzle	automatic / manual	automatic / manual	automatic / manual	automatic / manual
Internal filter	No	Yes	Yes	Yes
Motor support	Yes	Yes	Yes	Yes
Min/Max Temperature [°C]	-20/+50	-20/+50	-20/+50	-20/+50
Fluid viscosity [cSt]	2 ÷ 5	2 ÷ 5	2 ÷ 5	2 ÷ 5
Allowed fluids	diesel	diesel	diesel	diesel
Forbidden fluids	gas, alcohol, water, gasoline, kerosene			
Loudness at less 1 meter [dB]	75	< 70	85	85
Net weight [kg]	9.5	13.5	20.5	20.5
Gross weight [kg]	10	14	21	21





document

technical sheet

LIGHT TECH DC



DIESEL



ACCESSORIES for all versions

- nozzle
- 4 m cable on request (for 12 / 24V DC versions only)



FEATURES	40L 12V	40L 24V
Voltage DC [V]	12	24
Current max [A]	21	13
Fusibile [A]	30	20
Power [W]	252	312
Motor protection	IP 55	IP 55
On/Off Switch	Yes	Yes
Cable [m]	2	2
Duty Cycle [min]	S2 30	S2 30
Nominal Flow Rate [l/min / GPM]	40 / 10,57	40 / 10,57
Max Pressure [bar / psi]	1.3 / 19	1.3 / 19
Dry Suction height [m]:	2	2
Internal By-Pass	Yes	Yes
Inlet [BSP/G]	3/4" F	3/4" F
Outlet [BSP/G]	1" F	1" F
Pump body material	Cast Iron	Cast Iron
Impeller material	Sintered Steel	Sintered Steel
Vanes material	POM	POM
Ring material	HNBR	HNBR
Gasket material	NBR	NBR
Discharge hose [material,Ø,m,ittings]	rubber, 20, 4, 1"x1"	rubber, 20, 4, 1"x1"
Nozzle	automatic / manual	automatic / manual
Internal filter	no	no
Motor support	Yes	Yes
Min/Max Temperature [°C]	-20/+50	-20/+50
Fluid viscosity [cSt]	2 ÷ 5	2 ÷ 5
Allowed fluids	diesel	diesel
Forbidden fluids	gas, alcohol, water, gasoline, kerosene	gas, alcohol, water, gasoline, kerosene
Loudness at less 1 meter [dB]	75	75
Net weight [kg]	9.5	9.5
Gross weight [kg]	10	10



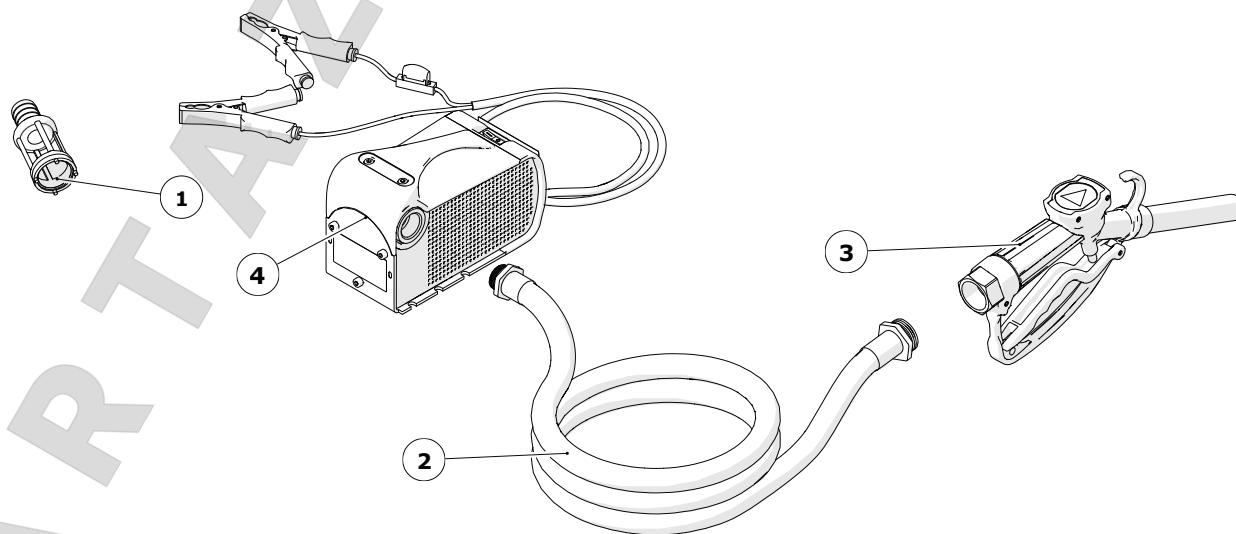


category

transfer kit diesel

LIGHT TECH 40L

	CODE			KIT	QTY
	12 V	24 V	230 V		
1	121500700000	121500700000	121500700000	FILTER Ø25	1
2	TUB190431	TUB190431	TUB190431	DELIVERY Ø19 4M 1" X 3/4"	1
3	PT1GX25	PT1GX25	PT1GX25	MANUAL NOZZLE	1
4	DC402200	DC404200	AC400200	PUMP C-TECH 40	1



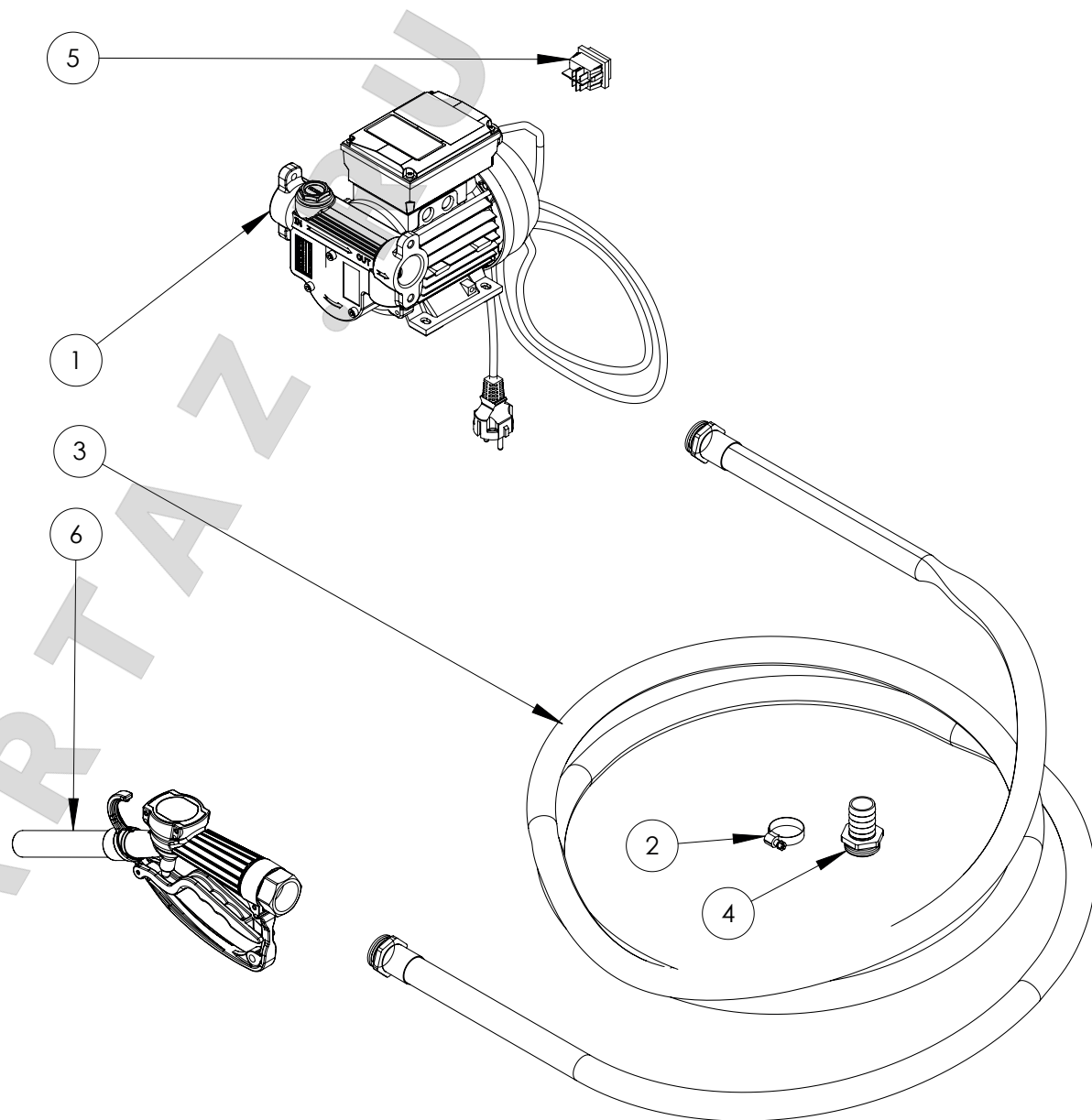


category

transfer kit diesel

LIGHT TECH 60-100L

	70L	80L	100L	DESCRIPTION	QTY
1	PA7A00	PA8000	PA1007	PUMP	1
2	91505270000	91505270000	91505270000	CLAMP 20x32	1
3	TUB250431	TUB250431	TUB250431	RUBBER HOSE	1
4	240015025000	240015025000	240015025000	HOSE STEM 1x25	1
5	190050210000	190050210000	190050210000	SWITCH 22X30	1
6	PT1GX25	PT1GX25	PT1GX25	MANUAL NOZZLE	1

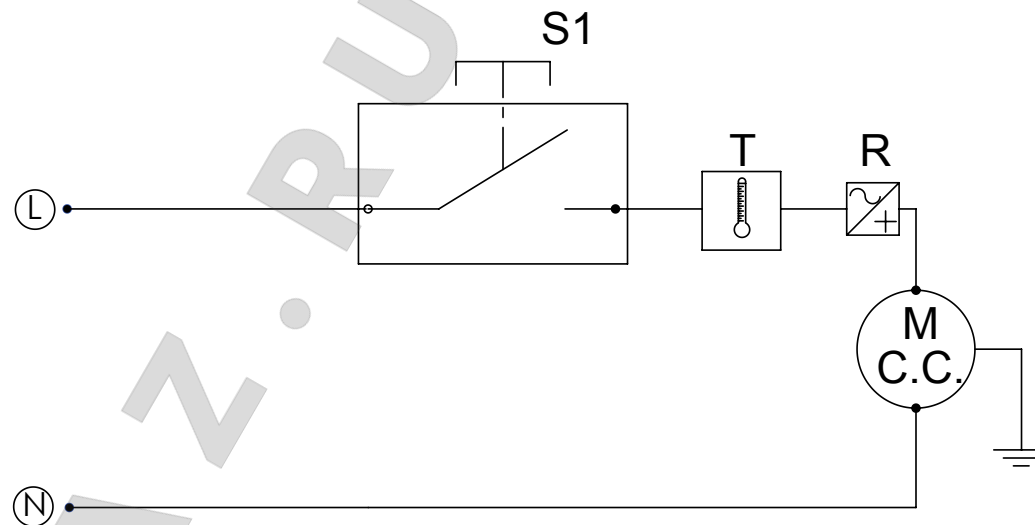




LIGHT TECH 40



230 Vac



schema elettrico

wiring diagram

schaltpläne

schémas électriques

esquemas eléctricos

esquemas elétricos

электрические схемы

S:1 interruttore ON-OFF
M: motore
T: protezione termica
R: raddrizzatore

S1: interruptor ON-OFF
M: motor
T: protección térmica
R: rectificador

S1: ON-OFF switch
M: Motor
T: Circuit Breaker
R: Rectifier (in motor)

S1: Interruptor ON-OFF
M: Motor
T: Proteção Térmica
R: retificador

S1: ON - OFF Schalter
M: Motor
T: Temperaturschutz
R: Gleichrichter

S1: переключатель ВКЛ-ВЫКЛ
M: Двигатель
T: Термореле
R: выпрямитель

S1: interrupteur ON-OFF
M: moteur
T: protection Thermique
R: Redresseur





LIGHT TECH 40 12/24V



schema elettrico

wiring diagram

schaltpläne

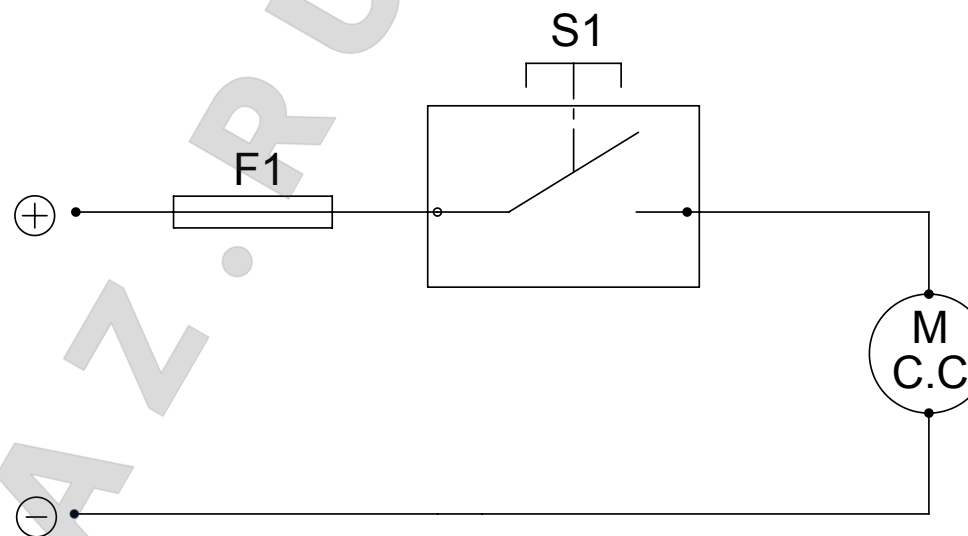
schémas électriques

esquemas eléctricos

esquemas elétricos

электрические схемы

12 / 24 VCC



S1 interruttore ON-OFF
M: motore
F1: fusibile

S1: interruptor ON-OFF
M: motor
F1: fusible

S1: ON-OFF switch
F1: Fuse
M: Motor

S1: Interruptor ON-OFF
M: Motor
F1: Fusível

S1: ON - OFF Schalter
M: Motor
T: Temperaturschutz

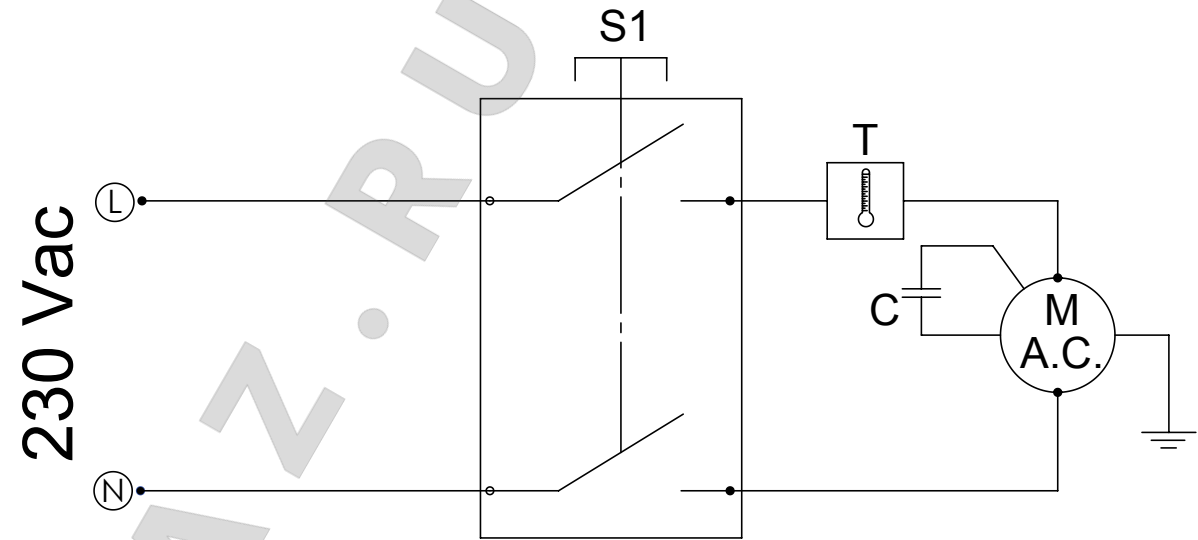
S1: переключатель ВКЛ-ВЫКЛ
M: Двигатель
F1: Плавкий предохранитель

S1: interrupteur ON-OFF
M: moteur
F1: fusible





LIGHT TECH 60-100



schema elettrico

wiring diagram

schaltpläne

schémas électriques

esquemas eléctricos

esquemas elétricos

электрические схемы

S:1 interruttore ON-OFF
M: motore
T: protezione termica
C: condensatore

S1: interruptor ON-OFF
M: motor
T: protección térmica
C: condensador

S1: ON-OFF switch
M: Motor
T: Circuit Breaker
C: Capacitor

S1: Interruptor ON-OFF
M: Motor
T: Proteção Térmica
C: condensador

S1: ON - OFF Schalter
M: Motor
T: Temperaturschutz
C: Kondensator

S1: переключатель ВКЛ-ВЫКЛ
M: Двигатель
T: Термореле
C: Конденсатор

S1: interrupteur ON-OFF
M: moteur
T: protection Thermique
C: condensateur