



document

technical sheet

# EASY TECH 40



DIESEL



## ACCESSORIES for all versions

- nozzle choice
- 4m cable only on request (only for 12/24V DC version)



FEATURES	40L 12V	40L 24V	40L 230V
Power Supply [V]	12 DC	24 DC	230, 50 Hz
Max Current [A]	21	13	1.1
Fuse [A]	30	20	-
Power [W]	252	312	253
Motor Protection	IP 55	IP 55	IP 55
On/Off Switch	si	si	si
Cable [m]	2	2	2
Duty Cycle [min]	S2 30	S2 30	S2 30
Nominal Flow Rate [l/min / GPM]	40 / 10,57	40 / 10,57	40 / 10,57
Max Pressure [bar / psi]	1.3	1.3	1.3
Dry Suction height [m]	2	2	2
Internal By-Pass	si	si	si
Inlet [BSP/G]	3/4" F	3/4" F	3/4" F
Outlet [BSP/G]	3/4" F	3/4" F	3/4" F
Pump body material	Cast Iron	Cast Iron	Cast Iron
Impeller material	Sintered Steel	Sintered Steel	Sintered Steel
Vanes material	POM	POM	POM
Ring material	HNBR	HNBR	HNBR
Gasket material	NBR	NBR	NBR
Suction Hose [material,Ø,m]	PVC, 25, 2	PVC, 25, 2	PVC, 25, 2
Delivery Hose [material,Ø,m, fittings]	rubber, 20, 2, 1" x 3/4"	rubber, 20, 2, 1" x 3/4"	rubber, 20, 2, 1" x 3/4"
Nozzle	automatic / manual	automatic / manual	automatic / manual
Suction filter Ø25	si	si	si
Motor support	si	si	si
Min/max Temperature [°C]	-20/+50	-20/+50	-20/+50
Max fluid viscosity [cSt] (a 40 °C)	2 ÷ 5	2 ÷ 5	2 ÷ 5
Compatible fluids	diesel	diesel	diesel
Not allowed fluid		gas, alcohol, water, gasoline, kerosene	
Loudness at less 1 meter [dB]	< 80	< 80	< 80
Net Weight [Kg]	8	8	8
Gross Weight [Kg]	8.5	8.5	8.5

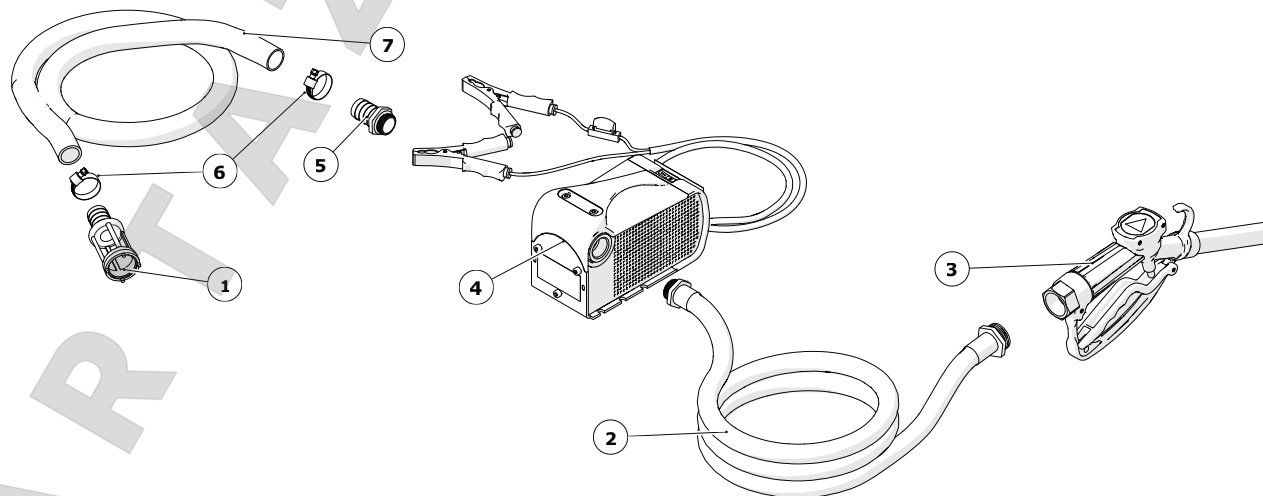


category

transfer kit diesel

# EASY TECH

	CODE			KIT	QTY
	12 V	24 V	230 V	EASY TECH	
1	121500700000	121500700000	121500700000	FILTER Ø25	1
2	TUB190431	TUB190431	TUB190431	DELIVERY Ø19 4M 1" X 3/4"	1
3	PT1GX25	PT1GX25	PT1GX25	MANUAL NOZZLE	1
4	DC402200	DC404200	AC400200	PUMP C-TECH 40	1
5	240015016000	240015016000	240015016000	BRASS HOSE STEM 3/4" X 25	1
6	915052700000	915052700000	915052700000	CLAMP 20x32	2
7	201325000000	201325000000	201325000000	SUCTION Ø25 2 M	1





# EASY TECH 40 230V



schema elettrico

wiring diagram

schaltpläne

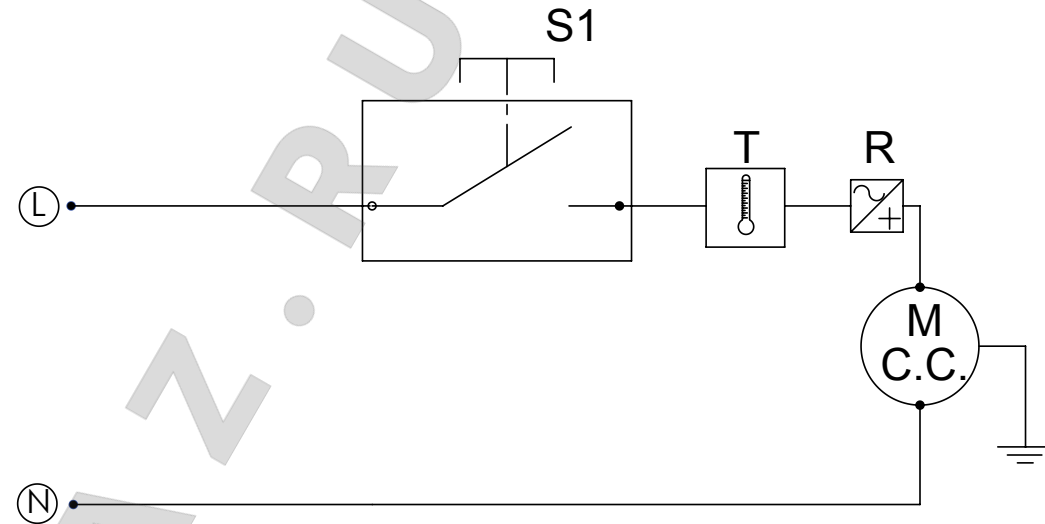
schémas électriques

esquemas eléctricos

esquemas elétricos

электрические схемы

230 Vac



S:1 interruttore ON-OFF  
M: motore  
T: protezione termica  
R: raddrizzatore

S1: interruptor ON-OFF  
M: motor  
T: protección térmica  
R: rectificador

S1: ON-OFF switch  
M: Motor  
T: Circuit Breaker  
R: Rectifier (in motor)

S1: Interruptor ON-OFF  
M: Motor  
T: Proteção Térmica  
R: retificador

S1: ON - OFF Schalter  
M: Motor  
T: Temperaturschutz  
R: Gleichrichter

S1: переключатель ВКЛ-ВЫКЛ  
M: Двигатель  
T: Термореле  
R: выпрямитель

S1: interrupteur ON-OFF  
M: moteur  
T: protection Thermique  
R: Redresseur



# EASY TECH 40 12/24V



schema elettrico

wiring diagram

schaltpläne

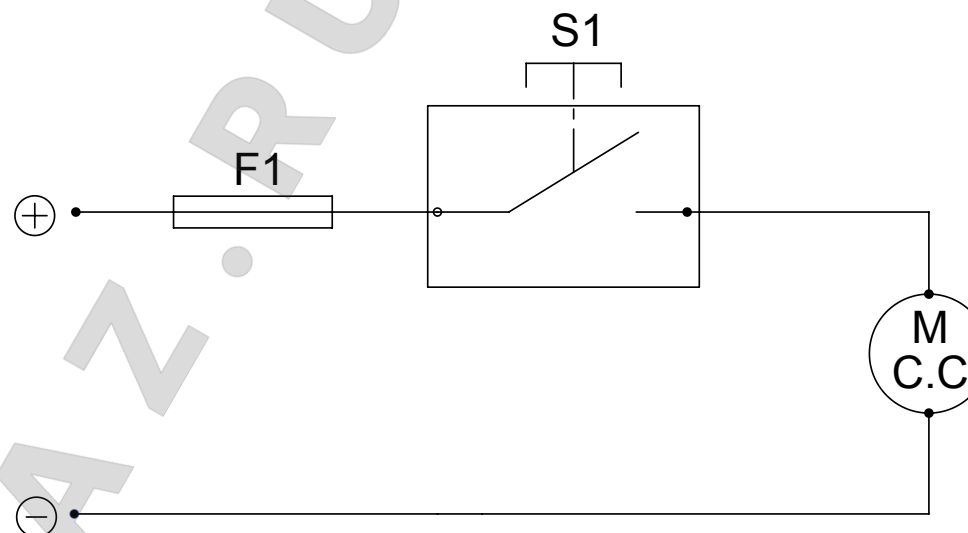
schémas électriques

esquemas eléctricos

esquemas elétricos

электрические схемы

12 / 24 VCC



S1 interruttore ON-OFF  
M: motore  
F1: fusibile

S1: interruptor ON-OFF  
M: motor  
F1: fusible

S1: ON-OFF switch  
F1: Fuse  
M: Motor

S1: Interruptor ON-OFF  
M: Motor  
F1: Fusível

S1: ON - OFF Schalter  
M: Motor  
T: Temperaturschutz

S1: переключатель ВКЛ-ВЫКЛ  
M: Двигатель  
F1: Плавкий предохранитель

S1: interrupteur ON-OFF  
M: moteur  
F1: fusible