



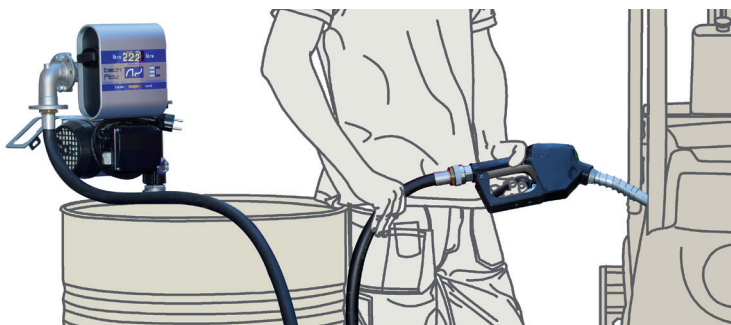
document

technical sheet

DRUM TECH DC



DIESEL



ACCESSORIES for all versions

- add-on Filter Kit
- 4 digit flow meter on request
- Tank adapter Kit



| FEATURES | 40L 12V | 40L 24V |
|---|---|----------------------|
| Power Supply DC [V]: | 12 | 24 |
| Max Current [A]: | 21 | 13 |
| Fuse [A] | 30 | 20 |
| Power [W]: | 252 | 312 |
| Motor Protection: | IP 55 | IP 55 |
| On/Off Switch: | Yes | Yes |
| Cable [m]: | 2 | 2 |
| Duty Cycle [min]: | S2 30 | S2 30 |
| Nominal Flow Rate [l/min / GPM]: | 40 / 10,57 | 40 / 10,57 |
| Max Pressure [bar / psi]: | 1.3 / 19 | 1.3 / 19 |
| Dry Suction height [m]: | 2 | 2 |
| Internal By-Pass: | Yes | Yes |
| Inlet [BSP/G]: | 3/4" F | 3/4" F |
| Outlet [BSP/G]: | 1" F | 1" F |
| Pump body material: | Cast Iron | Cast Iron |
| Impeller material: | Sintered Steel | Sintered Steel |
| Vanes material: | POM | POM |
| Ring material: | HNBR | HNBR |
| Gasket material: | NBR | NBR |
| Flow meter digits: | 3 | 3 |
| Flow meter typology: | Oscillating disc | Oscillating disc |
| Flow meter precision [%]: | ±1 | ±1 |
| Repeatability [%]: | 0,2 | 0,2 |
| Delivery Hose [material, ø, m, fittings]: | rubber, 20, 4, 1"x1" | rubber, 20, 4, 1"x1" |
| Nozzle: | automatic / manual | automatic / manual |
| Internal filter: | no | no |
| Motor support: | si | si |
| Min/max Temperature [°C]: | -20/+50 | -20/+50 |
| Max fluid viscosity [cSt] (a 40 °C): | 2 ÷ 5 | 2 ÷ 5 |
| Compatible fluids: | diesel | diesel |
| Not allowed fluids: | gas, alcohol, water, gasoline, kerosene | |
| Loudness at less 1 meter [dB]: | 75 | 75 |
| Net Weight [Kg]: | 9.5 | 9.5 |
| Gross Weight [Kg]: | 10 | 10 |





DRUM TECH AC



DIESEL



ACCESSORIES for all versions

- add-on Filter Kit
- 115V-60Hz motor only on request
- 4 digit flow meter on request
- Tank adapter Kit



| FEATURES | 40 litre | 60 litre | 80 litre | 100 litre |
|---|---|----------------------|----------------------|----------------------|
| Power Supply AC [V, Hz]: | 230, 50 | 230, 50 | 230, 50 | 230, 50 |
| Max Current [A]: | 1.1 | 2.4 | 3.5 | 4.1 |
| Power [W]: | 253 | 550 | 800 | 950 |
| Motor Protection: | IP 55 | IP 55 | IP 55 | IP 55 |
| On/Off Switch: | Yes | Yes | Yes | Yes |
| Cable [m]: | 2 | 2 | 2 | 2 |
| Duty Cycle [min]: | S2 30 | S2 30 | S2 30 | S2 30 |
| Nominal Flow Rate [l/min / GPM]: | 40 / 10,57 | 60 / 15,85 | 80 / 21,13 | 100 / 26,42 |
| Max Pressure [bar / psi]: | 1.3 / 19 | 2 / 29 | 2.5 / 36 | 2.5 / 36 |
| Dry Suction height [m]: | 2 | 4 | 2 | 2 |
| Internal By-Pass: | Yes | Yes | Yes | Yes |
| Inlet [BSP/G]: | 3/4" F | 1" F | 1" F | 1" F |
| Outlet [BSP/G]: | 1" F | 1" F | 1" F | 1" F |
| Pump body material: | Cast Iron | Cast Iron | Cast Iron | Cast Iron |
| Impeller material: | Sintered Steel | Sintered Steel | Sintered Steel | Sintered Steel |
| Vanes material: | POM | POM | POM | POM |
| Ring material: | HNBR | HNBR | HNBR | HNBR |
| Gasket material: | NBR | NBR | NBR | NBR |
| Flow meter digits: | 3 | 3 | 3 | 3 |
| Flow meter typology: | Oscillating disc | Oscillating disc | Oscillating disc | Oscillating disc |
| Flow meter precision [%]: | ±1 | ±1 | ±1 | ±1 |
| Repeatability [%]: | 0,2 | 0,2 | 0,2 | 0,2 |
| Telescopic suction hose: | Yes | Yes | Yes | Yes |
| Delivery Hose [material, ø, m, fittings]: | rubber, 20, 4, 1"x1" | rubber, 20, 4, 1"x1" | rubber, 25, 4, 1"x1" | rubber, 25, 4, 1"x1" |
| Nozzle: | automatic / manual | automatic / manual | automatic / manual | automatic / manual |
| Internal Filter: | no | si | si | si |
| Motor support: | si | si | si | si |
| Min/max Temperature [°C]: | -20/+50 | -20/+50 | -20/+50 | -20/+50 |
| Max fluid viscosity [cSt] (a 40 °C): | 2 ÷ 5 | 2 ÷ 5 | 2 ÷ 5 | 2 ÷ 5 |
| Compatible fluids: | diesel | diesel | diesel | diesel |
| Not allowed fluids: | gas, alcohol, water, gasoline, kerosene | | | |
| Loudness at less 1 meter [dB]: | 75 | < 70 | 85 | 85 |
| Net Weight [Kg]: | 9.5 | 13.5 | 20.5 | 20.5 |
| Gross Weight [Kg]: | 10 | 14 | 21 | 21 |

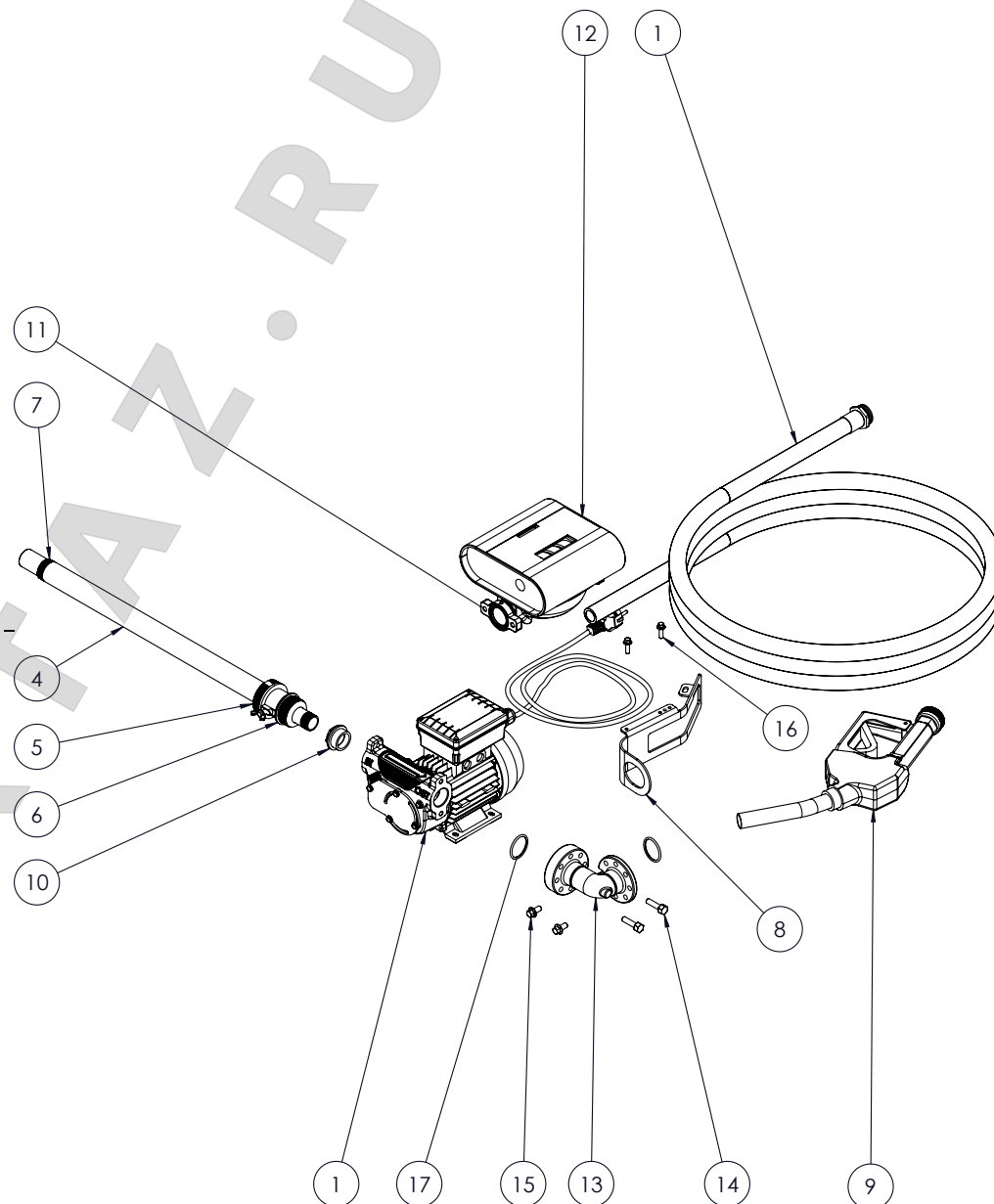


category

dispenser diesel

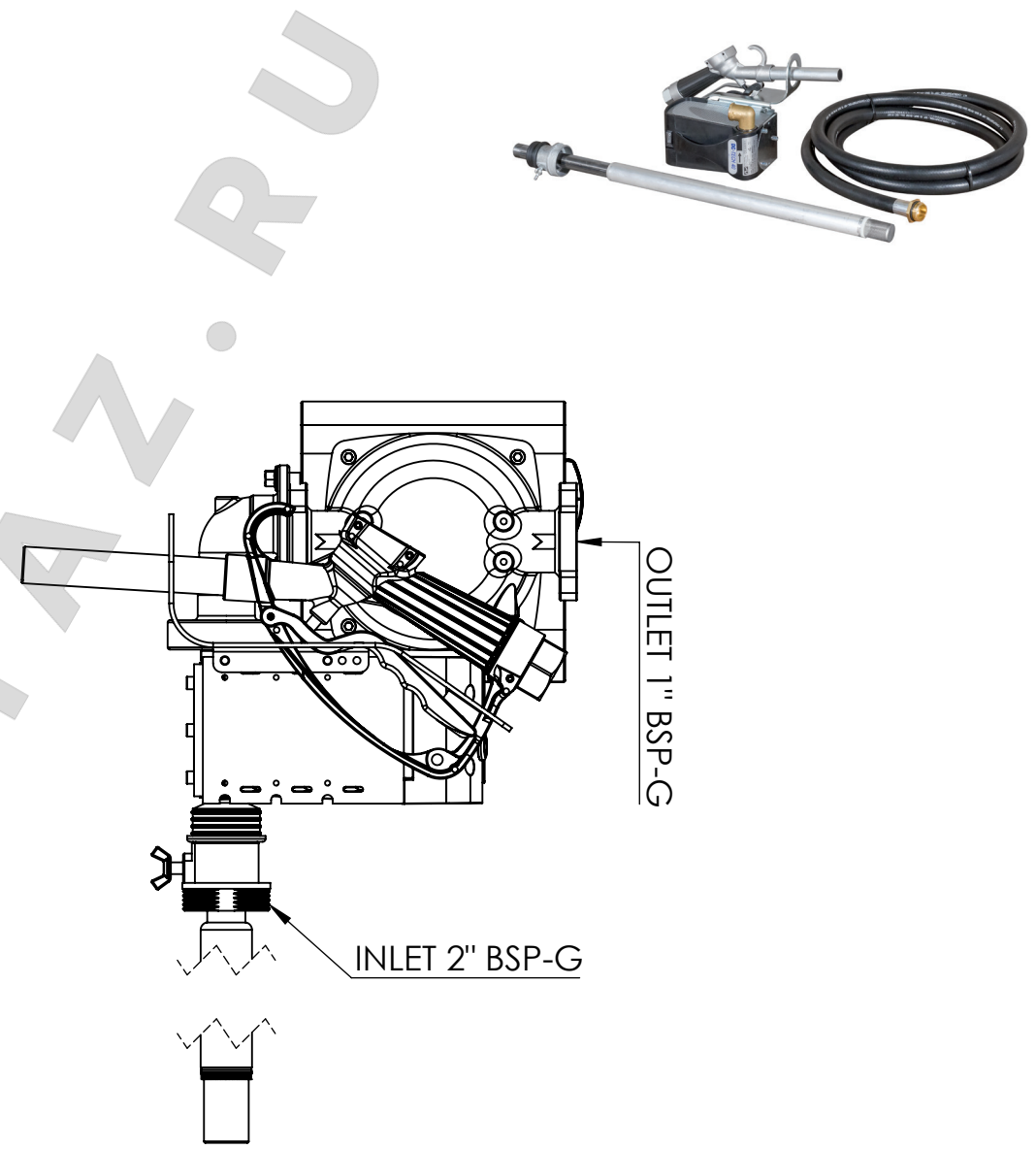
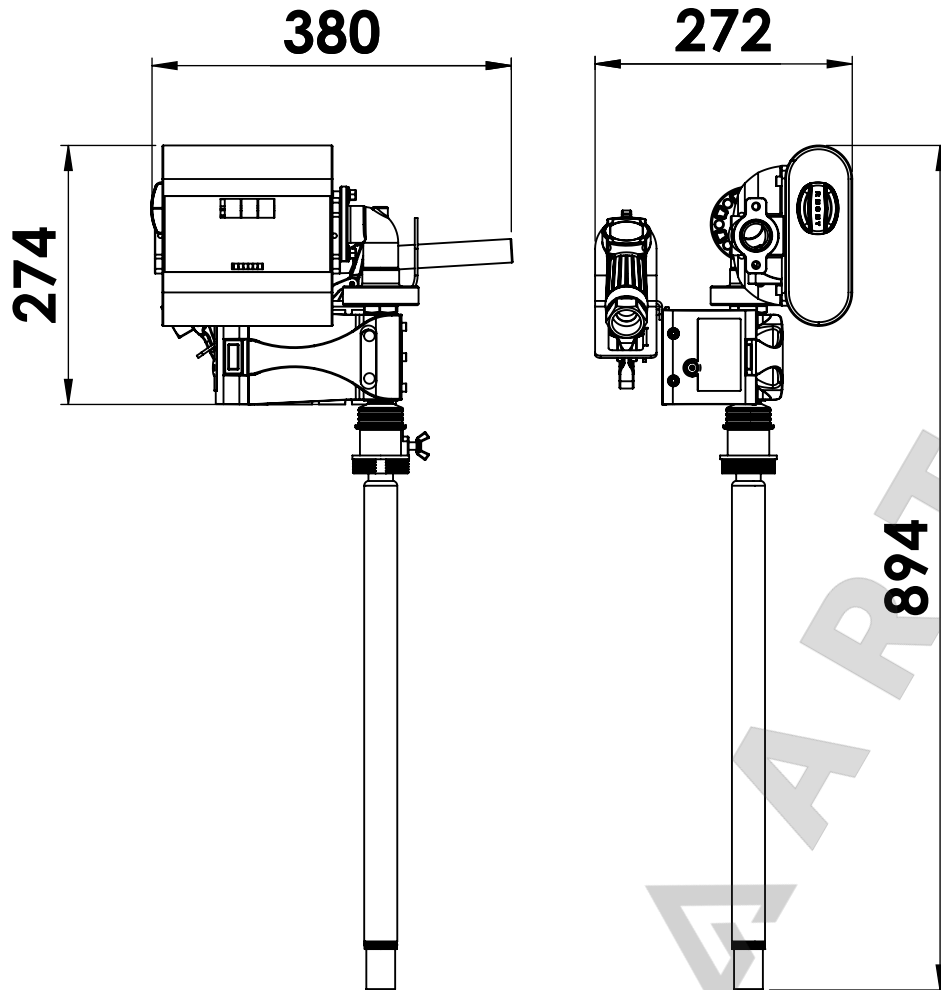
DRUM TECH

| | CODE | DESCRIPTION | QTY |
|----|--------------|------------------------------|-----|
| 1 | 17001057D | Reduction 1" 3/4" | 1 |
| 2 | 24000500000F | Telescopic pipe 3/4" | 1 |
| 3 | 93500000000 | Black terminal 26/32 | 1 |
| 4 | 240010000000 | Pipe tightening ring nut TTM | 1 |
| 5 | 17001102 | filter 3/4" M | 1 |
| 6 | DT001 | Drum tech holster | 1 |
| 7 | - | Nozzle | 1 |
| 8 | HT008 | ROUGH TELEPHONE | 1 |
| 9 | OR011 | O-RING 37 x 3 NBR | 2 |
| 10 | TUB190411 | RUBBER HOSE | 1 |
| 11 | 81282325100 | Screw FR m6x20 | 2 |
| 12 | VT005 | Screw FR M8x1 | 2 |
| 14 | 18001008 | O-Ring 3118 NBR | 1 |
| 15 | MA092 | Meter faceplate | 1 |
| 16 | - | Electric pump | 1 |
| 17 | TF3S1 | Meter | 1 |
| 18 | VT020 | screw TE FR M8 x 30 DIN6921 | |





DRUM TECH 40

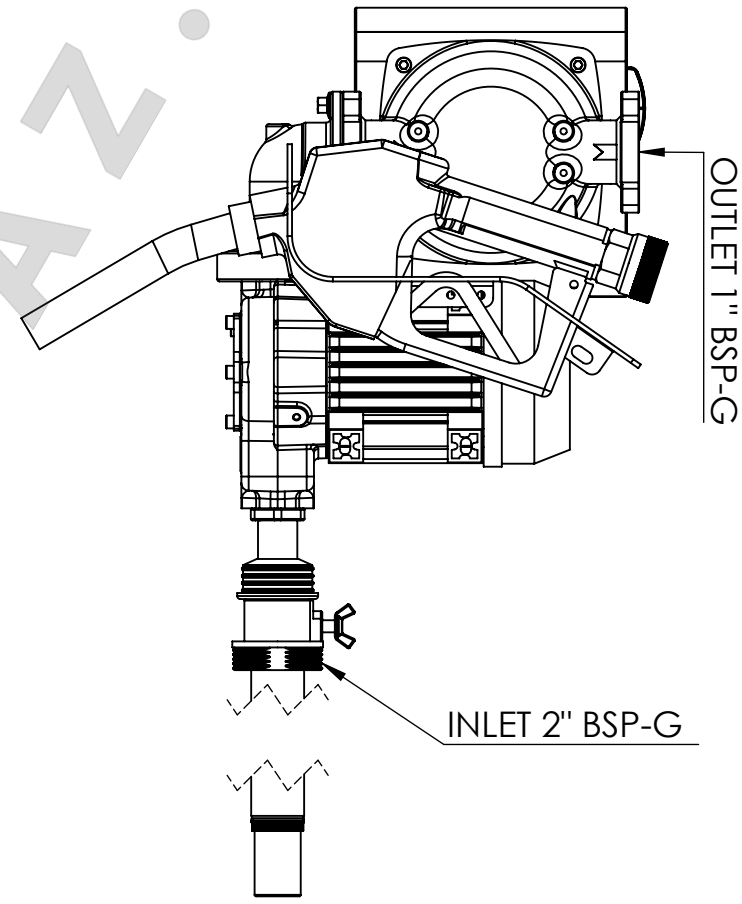
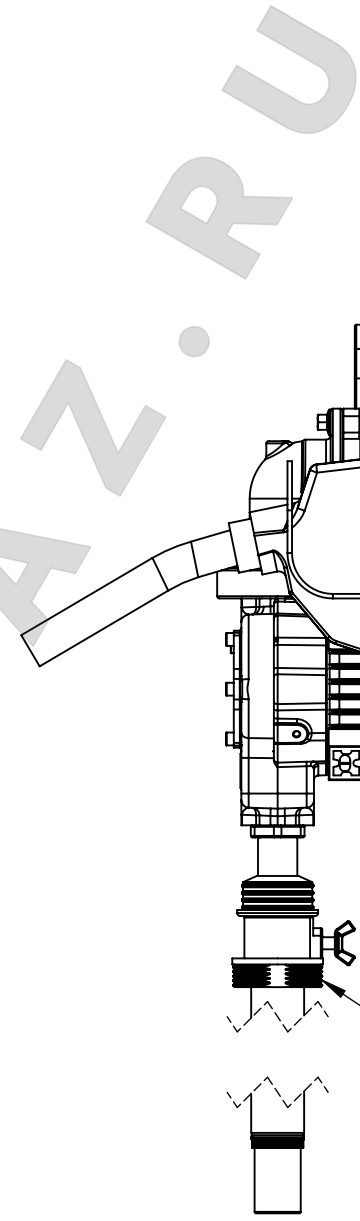
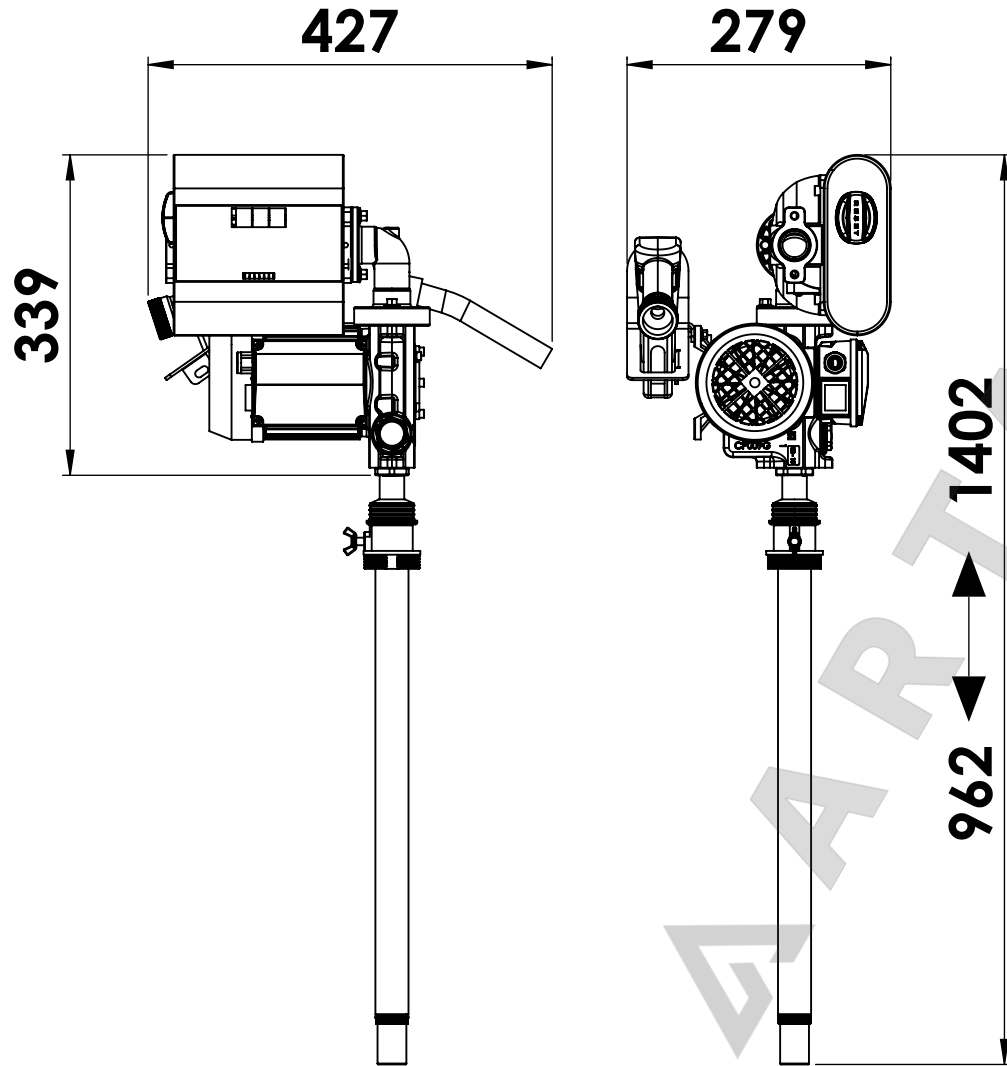


tutte le dimensioni espresse in mm - all dimensions are in mm





DRUM TECH 60



tutte le dimensioni espresse in mm - all dimensions are in mm



DRUM TECH 40-85



schema elettrico

wiring diagram

schaltpläne

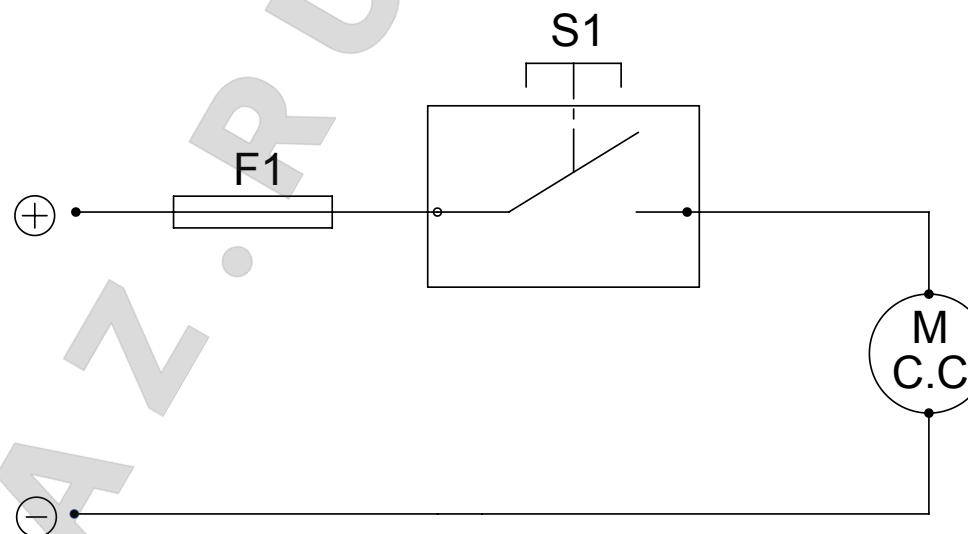
schémas électriques

esquemas eléctricos

esquemas elétricos

электрические схемы

12 / 24 VCC



S1 interruttore ON-OFF
M: motore
F1: fusibile

S1: interruptor ON-OFF
M: motor
F1: fusible

S1: ON-OFF switch
F1: Fuse
M: Motor

S1: Interruptor ON-OFF
M: Motor
F1: Fusível

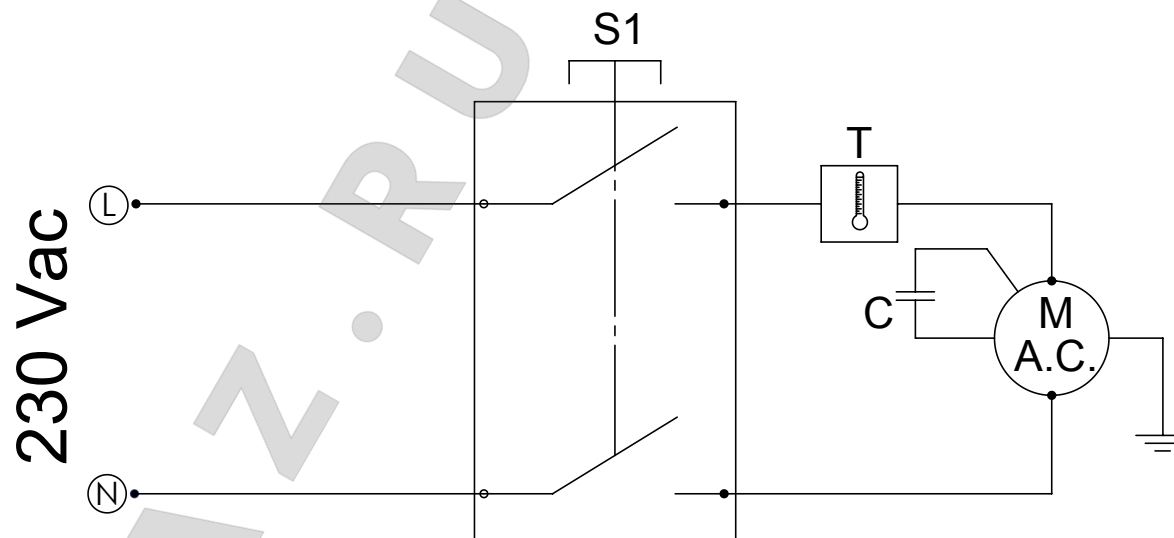
S1: ON - OFF Schalter
M: Motor
T: Temperaturschutz

S1: переключатель ВКЛ-ВЫКЛ
M: Двигатель
F1: Плавкий предохранитель

S1: interrupteur ON-OFF
M: moteur
F1: fusible



DRUM TECH 60-100



schema elettrico

wiring diagram


schaltpläne


schémas électriques


esquemas eléctricos


esquemas elétricos


электрические схемы


 S:1 interruttore ON-OFF
M: motore
T: protezione termica
C: condensatore


 S1: ON-OFF switch
M: Motor
T: Circuit Breaker
C: Capacitor

 S1: ON - OFF Schalter
M: Motor
T: Temperaturschutz
C: Kondensator

 S1: interrupteur ON-OFF
M: moteur
T: protection Thermique
C: condensateur

 S1: interruptor ON-OFF
M: motor
T: protección térmica
C: condensador

 S1: Interruptor ON-OFF
M: Motor
T: Proteção Térmica
C: condensador

 S1: переключатель ВКЛ-ВЫКЛ
M: Двигатель
T: Термореле
C: Конденсатор