



ARMADILLO AC



DIESEL



FEATURES	60 litres	80 litres	100 litres
Power Supply AC [V, Hz]:	230, 50	230, 50	230, 50
Max Current [A]:	2.4	3.5	4.1
Potenza [W]:	550	800	950
Motor Protection:	IP 55	IP 55	IP 55
On/Off Switch:	Yes	Yes	Yes
Emergency Stop:	Yes	Yes	Yes
Duty Cycle [min]:	S2 30	S2 30	S2 30
Nominal Flow Rate [l/min / GPM]:	60 / 15,85	80 / 21,13	100 / 26,42
Max Pressure [bar / psi]:	2 / 29	2.5 / 36	2.5 / 36
Dry Suction height [m]:	2	2	2
Internal By-Pass:	Yes	Yes	Yes
Inlet [BSP/G]:	1" F	1" F	1" F
Outlet [BSP/G]:	1" F	1" F	1" F
Pump body material:	Cast Iron	Cast Iron	Cast Iron
Impeller material:	Sintered Steel	Sintered Steel	Sintered Steel
Vanes material:	POM	POM	POM
Ring material:	HNBR	HNBR	HNBR
Gasket material:	NBR	NBR	NBR
Flow meter digits:	3	3	3
Flow meter typology:	Oscillating Disc	Oscillating Disc	Oscillating Disc
Flow meter precision [%]:	±1	±1	±1
Repeatability [%]:	0,2	0,2	0,2
Delivery Hose [material, ø, m, fittings]:	Rubber, 20, 4, 1"x1"	Rubber, 25, 4, 1"x1"	Rubber, 25, 4, 1"x1"
Nozzle:	automatic 60L	automatic 90L	automatic 120L
Internal Filter:	Yes	Yes	Yes
Motor support:	Yes	Yes	Yes
Min/max Temperature [°C]:	-20/+50	-20/+50	-20/+50
Max fluid viscosity [cSt] (a 40 °C):	2 ÷ 5	2 ÷ 5	2 ÷ 5
Compatible fluids:	diesel	diesel	diesel
Not allowed fluids:	gas, alcohol, water, gasoline, kerosene		
Loudness at less 1 meter [dB]:	< 70	85	85
Net Weight [Kg]:	17	24	24
Gross Weight [Kg]:	17.5	24.5	24.5

ACCESSORIES for all versions

- add-on Filter Kit
- 115V-60Hz motor, only on request





ARMADILLO DC



DIESEL



FEATURES	40 litre	45 litre	60 litre	85 litre
Power Supply DC [V]:	12 - 24	12 - 24	12 - 24	12 - 24
Max Current [A]:	21 - 13	18 - 9	26 - 17	40 - 32
Fuse [A]:	30 - 20	30 - 15	30 - 20	40 - 40
Power [W]:	252 - 312	216 - 216	312 - 408	480 - 768
Motor Protection:	IP 55	IP 55	IP 55	IP 55
On/Off Switch:	Yes	Yes	Yes	Yes
Emergency Stop:	No	No	No	No
Cable [m]:	2	2	2	2
Duty Cycle [min]:	S2 30	S2 30	S2 30	S2 30
Nominal Flow Rate [l/min / GPM]:	40 / 10,57	45 / 11,89	60 / 15,85	85 / 22,45
Max Pressure [bar / psi]:	1.3 / 19	1.2 / 17,5	2 / 29	2 / 29
Dry Suction height [m]:	2	2	2	2
Internal By-Pass:	Yes	Yes	Yes	Yes
Inlet [BSP/G]:	3/4" F	1" F	1" F	1" F
Outlet [BSP/G]:	1" F	1" F	1" F	1" F
Pump body material:	Cast Iron	Cast Iron	Cast Iron	Cast Iron
Impeller material:	Sintered Steel	Sintered Steel	Sintered Steel	Sintered Steel
Vanes material:	POM	POM	POM	POM
Ring material:	HNBR	HNBR	HNBR	HNBR
Gasket material:	NBR	NBR	NBR	NBR
Flow meter digits:	3	3	3	3
Flow meter typology:	Oscillating Disc	Oscillating Disc	Oscillating Disc	Oscillating Disc
Flow meter precision [%]:	±1	±1	±1	±1
Repeatability [%]:	0,2	0,2	0,2	0,2
Delivery Hose [material, ø, m, fittings]:	rubber, 20, 4, 1"x1"	rubber, 20, 4, 1"x1"	rubber, 25, 4, 1"x1"	rubber, 25, 4, 1"x1"
Nozzle:	automatic 60L	automatic 60L	automatic 60L	automatic 90L
Internal Filter:	no	Yes	Yes	Yes
Motor support:	Yes	Yes	Yes	Yes
Min/max Temperature [°C]:	-20/+50	-20/+50	-20/+50	-20/+50
Max fluid viscosity [cSt] (a 40 °C):	2 ÷ 5	2 ÷ 5	2 ÷ 5	2 ÷ 5
Compatible fluids:	diesel	diesel	diesel	diesel
Not allowed fluids:	gas, alcohol, water, gasoline, kerosene			
Loudness at less 1 meter [dB]:	75	80	70 - < 75	70 - < 75
Net Weight [Kg]:	11.5	11.8	16	16
Gross Weight [Kg]:	12	12.3	16.6	16.6

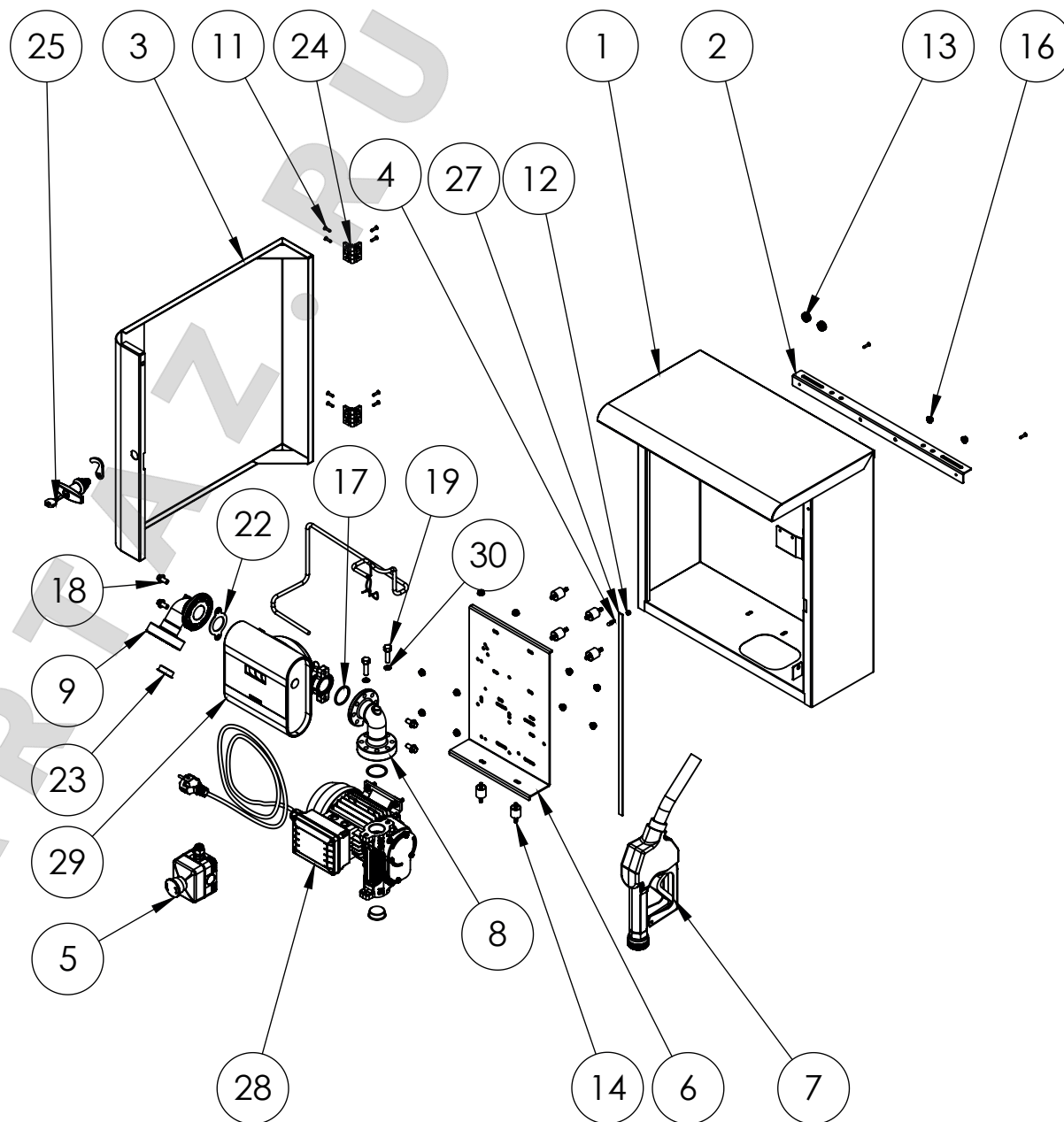


category

diesel dispenser

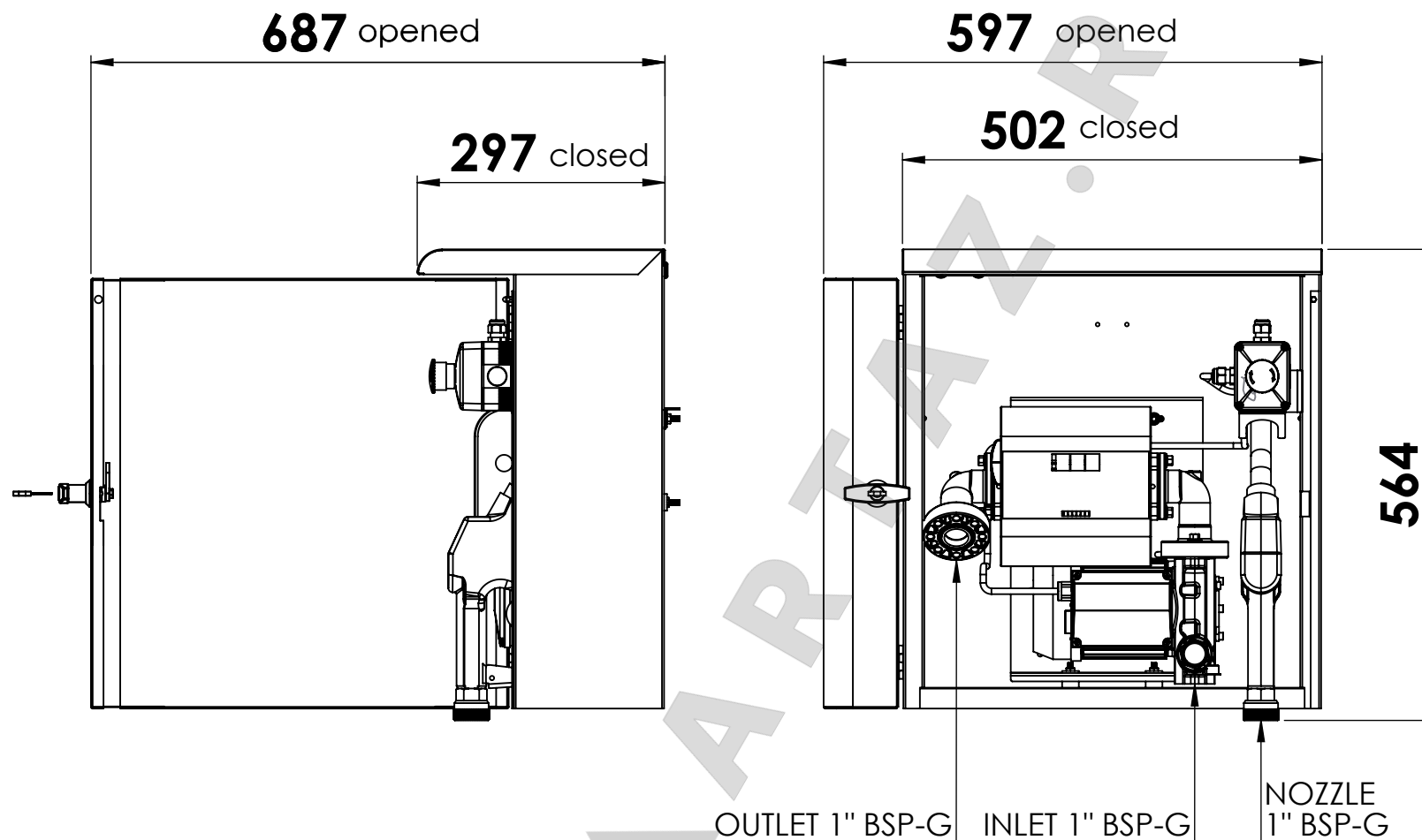
ARMADILLO

	CODE	DESCRIPTION	Q.TY
1	AR002	plates	1
2	AR004	back support	1
3	AR003	door	1
4	9470000000	metal door closing	1
5	240035000000	electric group	1
6	6180920000X	pump support panel	1
7	-	nozzle	1
8	HT008	telephone 1" BSP-G	1
9	HT008L	telephone m.1" BSP-G	1
11	92504100000	alumin river 4x14	10
12	82021410000	self-locking nut M4	1
13	190100100000	PVC cable entry	2
14	17001106	cylindric damper 20x20	6
15	81282325100	screw TE FR M6x20	4
16	71000112	flanged nut M6	16
17	OR011	o-ring 37 x 3 NBR	2
18	VT005	screw TE FR M8x16	4
19	VT020	screw TE FR M8 x 30	2
22	OR017	pipe rubber seal	1
23	163013500000	thread protection CAP Ø31	2
24	AR001	door hinge	2
25	AR005	handle door closing	1
26	AR006	door hook	1
27	PF005	insulator sponge 2mm	1
28	-	pump	1
29	TF3S1	meter	1
30	83703300000	Indented Ø8 washer Ø8	2





ARMADILLO

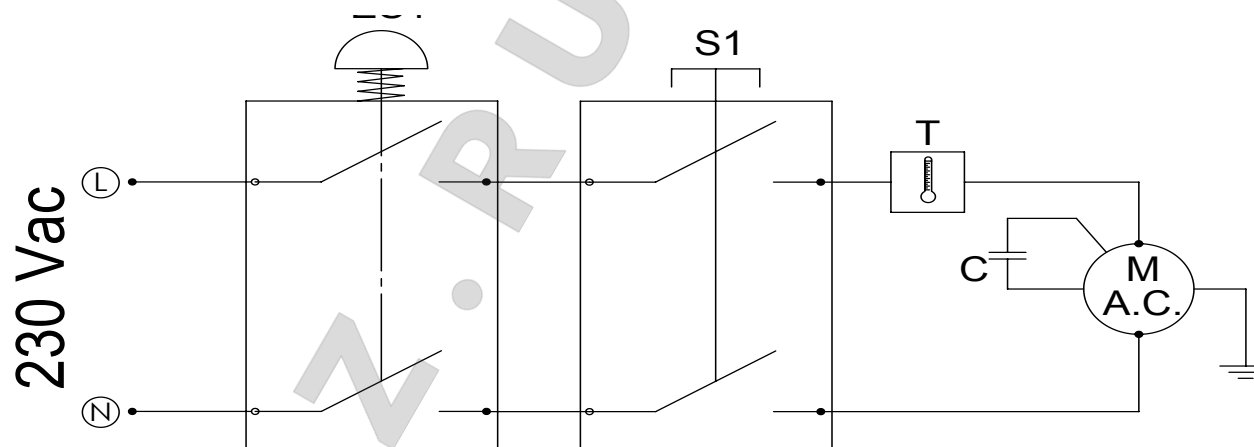


tutte le dimensioni espresse in mm - all dimensions are in mm





ARMADILLO 230V



schema elettrico

wiring diagram


schaltpläne

schémas électriques

esquemas eléctricos

esquemas elétricos


электрические схемы

 S1: interruttore ON-OFF
M: motore
T: protezione termica
C: Condensatore
R: raddrizzatore


FS1: fungo emergenza

 S1: interruptor ON-OFF
M: motor
T: protección térmica
C1: Condensador
R: rectificador

FS1: botón de emergencia

 S1: ON-OFF switch
M: Motor
T: Circuit Breaker
C: capacitor
R: Rectifier (in motor)

FS1: emergency button

 S1: Interruptor ON-OFF
M: Motor
T: Proteção Térmica
C1: Condensador
R: retificador


FS1: botão de emergência

 S1: ON - OFF Schalter
M: Motor
T: Temperaturschutz
C: kondensator
R: Gleichrichter

FS1: Notfallknopf

 S1: переключатель ВКЛ-ВЫКЛ
M: Двигатель
T: Термореле
C1: Конденсатор
R: выпрямитель

FS1: аварийная кнопка

 S1: interrupteur ON-OFF
M: moteur
T: protection Thermique
C: Condensateur
R: Redresseur

FS1: bouton d'urgence



ARMADILLO 40-85



schema elettrico

wiring diagram

schaltpläne

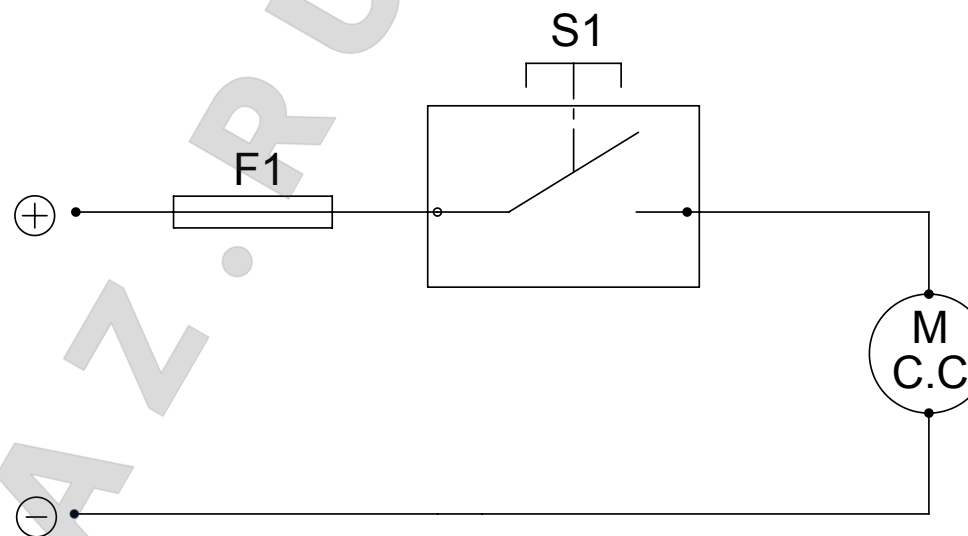
schémas électriques

esquemas eléctricos

esquemas elétricos

электрические схемы

12 / 24 VCC



S1 interruttore ON-OFF
M: motore
F1: fusibile

S1: interruptor ON-OFF
M: motor
F1: fusible

S1: ON-OFF switch
F1: Fuse
M: Motor

S1: Interruptor ON-OFF
M: Motor
F1: Fusível

S1: ON - OFF Schalter
M: Motor
T: Temperaturschutz

S1: переключатель ВКЛ-ВЫКЛ
M: Двигатель
F1: Плавкий предохранитель

S1: interrupteur ON-OFF
M: moteur
F1: fusible