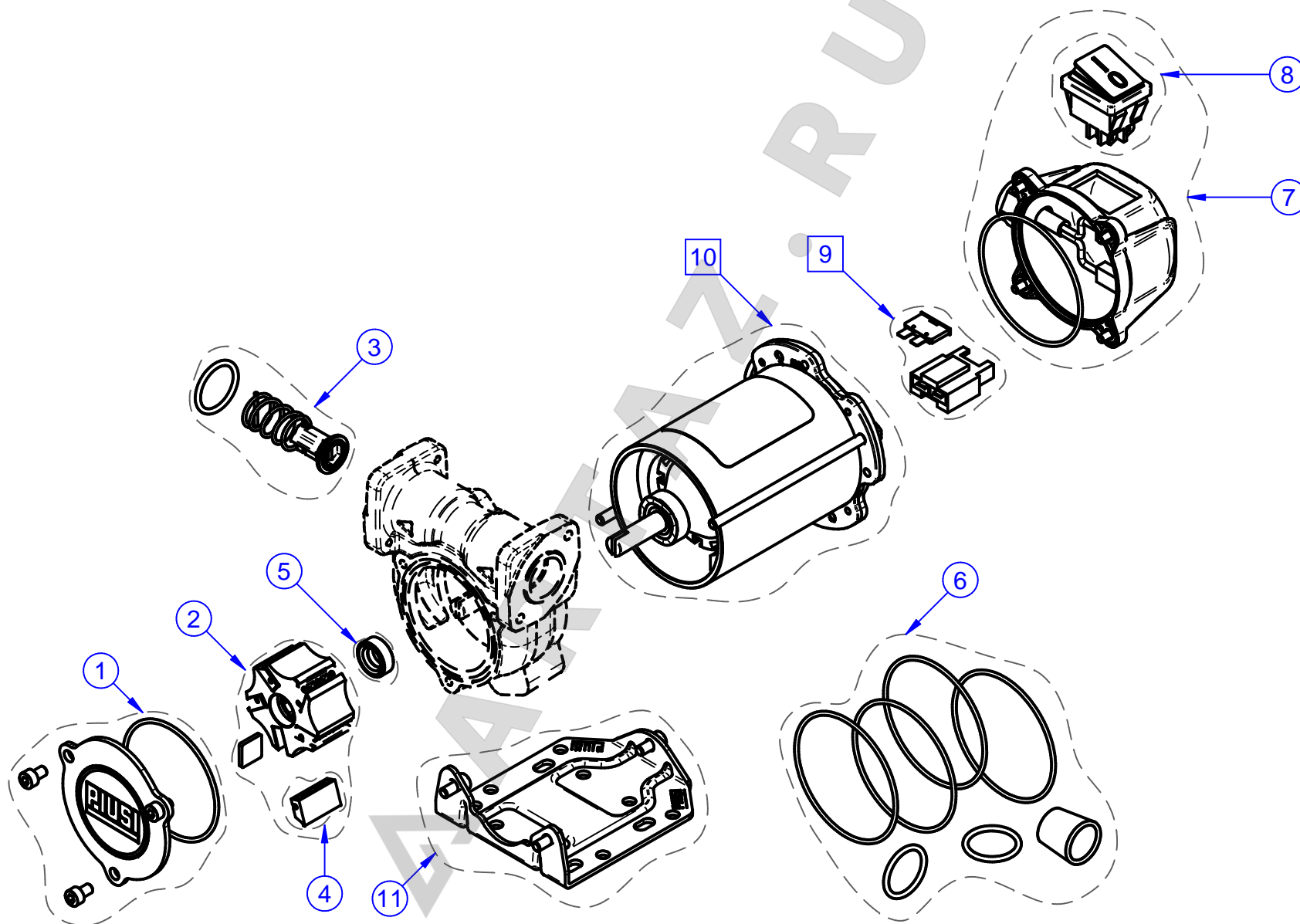


DESCRIPTION:
BP3000 B.O. 12/24V

CODE:
LR_P00056

LAST RELEASE:
JULY 2019



Some components may vary in shape and color or not be present. Always follow codes and quantity shown in list. ○ fixed components □ variable components - - - only reference