


 FUEL MANAGEMENT
 SYSTEMS


DISPENSERS



KITS



PUMPS



METERS



NOZZLES

SELF 2000 / SELF 3000

FEATURES

- MANUAL
- VERSATILE
- HIGH EFFICIENCY
- LEVER PROTECTION

The PIUSI SELF 2000 / SELF 3000 manual nozzles perform the maximum efficiency thanks to the low-flow resistance and the wide range of applications including transfer systems run by gravity. They are supplied with removable lever protection and connectors.

PERFORMANCE

UP TO

150 L/MIN

FLOW RATE

25MM

OD SPOUT

SELF 2000 / SELF 3000



SELF 2000 DIESEL



SELF 3000 DIESEL/GASOLINE



KUNSTSTOFF-ZAPFVENTIL WASSER/DIESEL



PACKAGING

CODE	WEIGHT		PACKAGING			N. BOXES / EUROPALLET	
	KG	LBS	MM	INCH	PCS/BOX	✈	🚚
00063900A	0,7	1,5	400X250X200	16X11X7,8	1		
00064900A	0,7	1,5	400X250X200	16X11X7,8	1		
00064902A	0,7	1,5	400X250X200	16X11X7,8	1		
00065001A	0,7	1,5	400X250X200	16X11X7,8	1		
00065600A	0,7	1,5	400X250X200	16X11X7,8	1		
FO0641120	0,7	1,5	400X250X200	16X11X7,8	1		
FO0641130	0,7	1,5	400X250X200	16X11X7,8	1		
FO065000A	0,7	1,5	400X250X200	16X11X7,8	1		
FO0650020	0,7	1,5	400X250X200	16X11X7,8	1		
FO063000A	0,3	0,7	-	-	1		
FO0641B00	0,7	1,5	400X250X200	16X11X7,8	1		

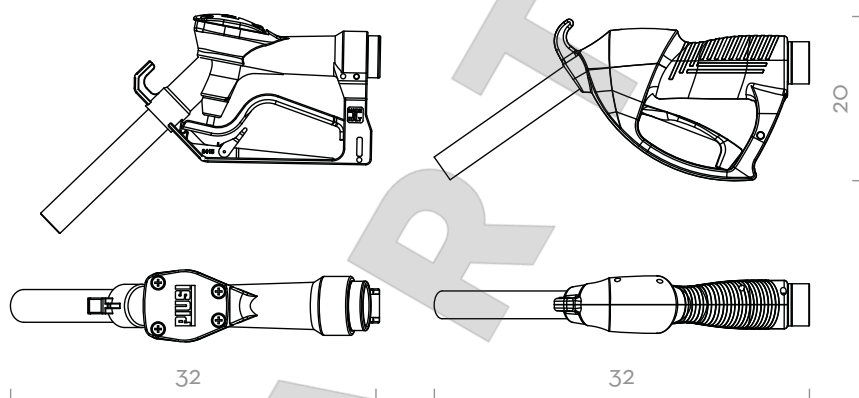
- ANY BIODIESEL
- AIR
- ANTIFREEZE
- AdBlue®
- BIODIESEL
- DIESEL
- FOOD
- GASOLINE
- GREASE
- KEROSENE
- OIL
- WATER
- WINDSCREEN

CHART

IN THE BOX

- SELF 2000/ SELF 3000 NOZZLE
- INSTRUCTION MANUAL

DETAILS

DIMENSIONS

MATERIALS

- BODY: ALUMINIUM
- SEAL: VITON

Dimensions expressed in millimeters

TECHNICAL DATA

CODE	DESCRIPTION	FLUIDS TYPE	FLOW RATE		INLET		SPOUT	
			L/MIN	GPM	SWIVEL	Ø BSP	EXT. Ø MM	
00063900A	SELF 2000 1" BSP UNLEADED		120	32	BUCHSE	1" BSP	20	
00064900A	SELF 2000 3/4" BSP		120	32	BUCHSE	3/4" BSP	25	
00064902A	SELF 2000 3/4" BSP UNLEADED		120	32	BUCHSE	3/4" BSP	20	
00065001A	SELF 3000 1" BSP UNLEADED		150	40	BUCHSE	1" BSP	20	
00065600A	SELF 2000 1" BSP SPOUT 25 MM		120	32	BUCHSE	1" BSP	25	
FO0641120	SELF 2000 W/HOSE TAIL D.20 SPOUT 25 MM		120	32	BUCHSE	3/4" BSP	25	
FO0641130	SELF 2000 1" BSP		120	32	BUCHSE	1" BSP	25	
FO065000A	SELF 3000 1" BSP LEADED SPOUT		150	40	BUCHSE	1" BSP	25	
FO0650020	SELF 3000 1" BSP LEADED SPOUT S/P		150	40	BUCHSE	1" BSP	25	
FO063000A	PLASTIC NOZZLE BLACK W/SWIVEL 1" BSP		80	21	BUCHSE	1" BSP	34	
FO0641B00	SELF 2000 1" BSP B100		120	32	BUCHSE	1" BSP	20	

SELF 2000 / SELF 3000