



CAR FILLING



DISPENSERS



PUMPS



METERS



NOZZLE METERS



NOZZLES

# K24 SUZZARABLUЕ MANUAL NOZZLE

## FEATURES

- READY TO USE
- ERGONOMIC GRAB
- LOW WEIGHT

## PERFORMANCE

UP TO

**80 L/MIN**

FLOW RATE

**0,5%**

ACCURACY

**3,4 BAR**

PRESSURE

LESS THAN

**1 KG**

NOZZLE WEIGHT


**K24 SUZZARABLUЕ MANUAL NOZZLE**


## PACKAGING

CODE	WEIGHT		PACKAGING		
	KG	LBS	MM	INCH	PCS/BOX
FO0870020	1	2,2	300X390X390X260	11,8X15,4X10,2	1

FILTRATION

 FLUID  
 MONITORING

HOSE REELS

ACCESSORIES

MERCHANDISE

INDEX

AIR

ANTIFREEZE

AdBlue®

BIODIESEL

DIESEL

FOOD

GASOLINE

GREASE

KEROSENE

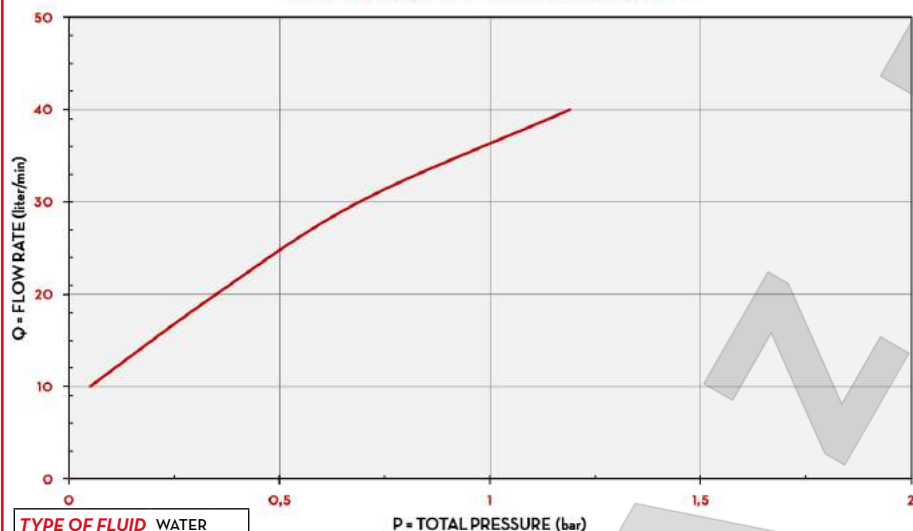
OIL

WATER

WINDSCREEN

## CHARTS

### K24 SUZZARABLU MANUAL NOZZLE



## IN THE BOX

- K24 SUZZARABLU MANUAL NOZZLE
- INSTRUCTION MANUAL

## DETAILS



STAINLESS STEEL SPOUT

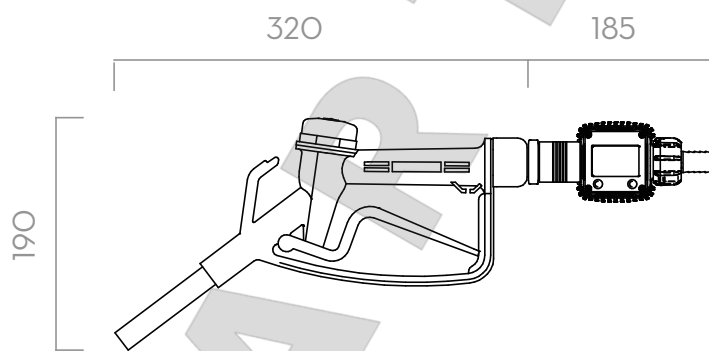


LEVER LOCK



K24

## DIMENSIONS



Dimensions expressed in millimeters

## MATERIALS

- BODY: TECHNOPOLYMER
- SPOUT: STAINLESS STEEL

## TECHNICAL DATA

CODE	DESCRIPTION	FLUIDS TYPE	FLOW-RATE		PRESSURE	INLET	SWIVEL	SPOUT
			L/MIN	GPM				
FO0870020	K24 SUZZARABLU MANUAL NOZZLE		5 - 80	1,3 - 21	3,4	3/4"	NO	3/4"