



KITS



PUMPS



METERS



METERED NOZZLES



NOZZLES


 WASTE OIL
 EQUIPMENTS

EASY OIL

FEATURES

- **BALANCED VALVE**
- **LIGHT PRESSURE LEVER**
- **ERGONOMIC GRAB**
- **BUILT-IN FILTER**
- **BUILT-IN LEVER LOCK**
- **COLOUR CODE SWIVEL**

The PIUSI EASY OIL is a manual nozzle suitable for the delivery of a wide range of oils. Its ergonomic design and low weight make this nozzle unique in the market.



PERFORMANCE

UP TO

30 L/MIN

FLOW RATE

70 BAR

OPERATING PRESSURE



EASY OIL WITH FLEXIBLE SPOUT



with rigid spout



with rotating spout

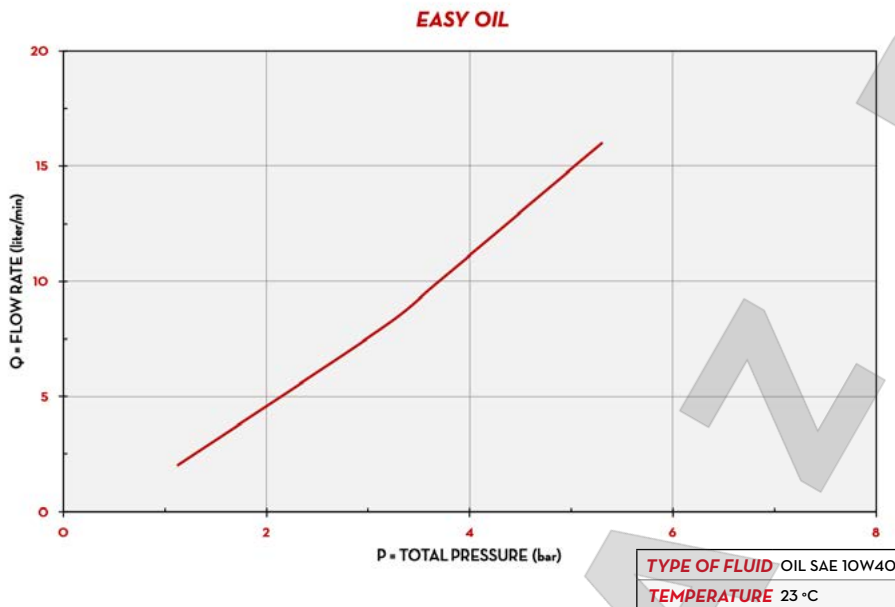


without spout

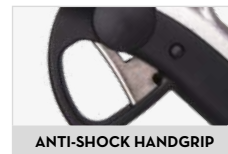
PACKAGING

CODE	WEIGHT		PACKAGING			
	KG	LBS	MM	INCH	PCS/PALLET	PCS/BOX
FO096600A	0,45	1	203X320X88	8X12,6X3,5		1
FO0966130	1,2	2,6	203X320X88	8X12,6X3,5		1
FO0966140	1,2	2,6	203X320X88	8X12,6X3,5		1
FO0966150	1,2	2,6	203X320X88	8X12,6X3,5		1

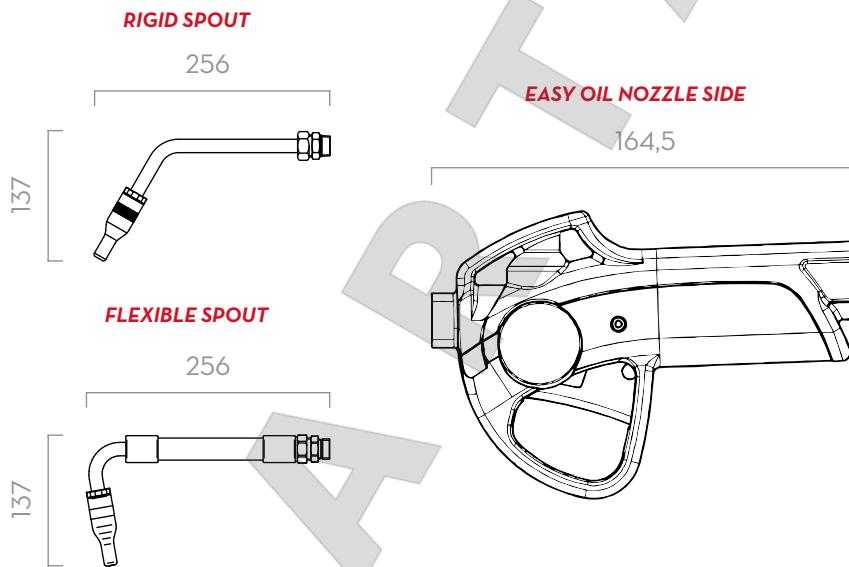

INDEX

CHART

IN THE BOX

- EASY OIL NOZZLE
- INSTRUCTION MANUAL

DETAILS

MATERIALS

- BODY: ALLUMINIUM
- VALVE: NBR, NICKEL PLATED STEEL, BRASS

DIMENSIONS


Dimensions expressed in millimeters

TECHNICAL DATA

CODE	DESCRIPTION	FLUIDS TYPE	FLOW RATE		WORKING PRESSURE		SPOUT			OUTLET	INLET
			L/MIN	GPM	BAR	PSI	ROTATING	RIGID	FLEXIBLE		
FO096600A	EASY OIL -" BSP W/O SPOUT		1-30	0,26 - 7,8	70	994	-	-	-	1/2" BSP	1/2" BSP
FO0966130	EASY OIL -" BSP W/RIGID SPOU - AUT VALV		1-30	0,26 - 7,8	70	994	-	YES	-	1/2" BSP	1/2" BSP
FO0966140	EASY OIL -" BSP W/FLEX SPOUT - AUT VALV		1-30	0,26 - 7,8	70	994	-	-	YES	1/2" BSP	1/2" BSP
FO0966150	EASY OIL -" BSP W/ROT SPOUT - AUT VALV		1-30	0,26 - 7,8	70	994	YES	-	-	1/2" BSP	1/2" BSP

NPT VERSION AVAILABLE