



LUBE KITS



PUMPS



METERS



METERED NOZZLES



NOZZLES



FILTRATION

# EASY NEXT/2

## FEATURES

- HIGH RATIO PRESSURE
- LOW PRESSURE DROP
- STURDY AND DURABLE
- BUILT-IN LEVER LOCK
- READY TO USE
- EASY TO CALIBRATE
- ELECTRONIC RESET FUNCTION
- LOW BATTERY CONSUMPTION
- IP65 PROTECTION
- RUBBER PROTECTION
- ADJUSTABLE UNIT OF MEASUREMENT
- SWIVEL

The Piusi Easy NEXT/2 is the answer to all the needs of a high flow rate oil transfer and measure. It is composed by the Pistol-one nozzle and the oval gear meter NEXT/2.

## PERFORMANCE

up to

**15 GPM**

from 1.5 GPM

FLOW RATE

**± 0.5%**

ACCURACY

**0.2%**

REPEATABILITY

**994 PSI**

PRESSURE



EASY NEXT/2 WITH FLEXIBLE SPOUT

with rigid spout

without spout

## PACKAGING

PART #	WEIGHT		PACKAGING			N. BOXES/ EUROPALLET	
	KG	LBS	IN	PCS/PALLET	PCS/BOX		
FOO974000	2.3	5.1	4.5X5.3X6.3	-	1	100	120
FOO974010	2.9	6.4	7X16X4.5	-	1	100	120
FOO974020	2.9	6.4	7X16X4.5	-	1	100	120
FOO974030	3	6.6	7X16X4.5	-	1	100	120
FOO974070	2.9	6.4	7X16X4.5	-	1	100	120



AIR



ANTIFREEZE



DEF



BIODIESEL



DIESEL



FOOD



GASOLINE



GREASE



KEROSENE



OIL

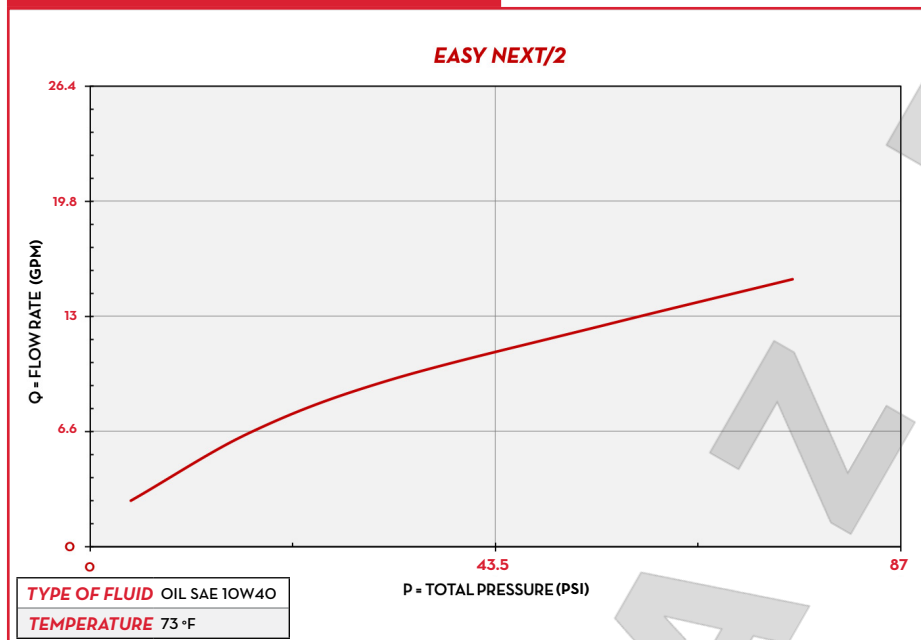


WATER



WINDSCREEN

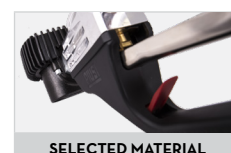
## CHARTS



## IN THE BOX

- PISTOL-ONE NOZZLE
- NEXT/2 METER
- INSTRUCTION MANUAL

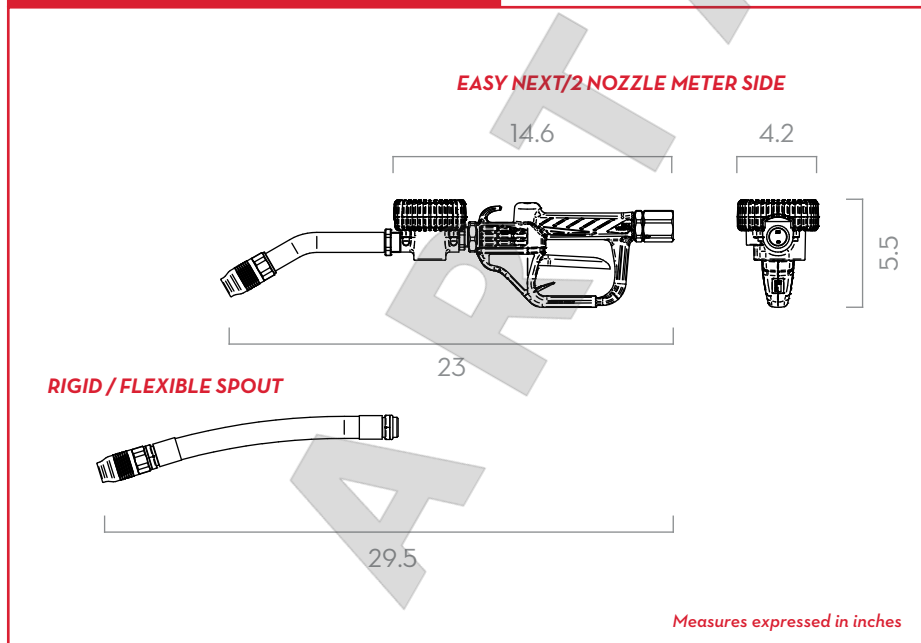
## DETAILS



## MATERIALS

- NOZZLE BODY: ALUMINUM
- VALVE: NBR, NICKEL PLATED STEEL, BRASS
- METER BODY: ALUMINUM
- GEARS: TECHNOPOLYMER

## DIMENSIONS



## TECHNICAL DATA

PART #	DESCRIPTION	FLUIDS TYPE	SPOUT TYPE	SEMI AUTOMATIC NO DRIP VALVE	FLOW RATE		WORKING PRESSURE		BATTERY INCLUDED AAA NO. 22 X 1.5 V	INLET	OUTLET
					L/MIN	GPM	BAR	PSI			
FO0974000	NEXT/2 NOZZLE W/O SPOUT BSP		-	-	6 - 60	1.5 - 15	70	994	2	3/4" BSP	-
FO0974010	NEXT/2 NOZZLE W/RIGID SPOUT BSP		RIGID	YES	6 - 60	1.5 - 15	70	994	2	3/4" BSP	RIGID EXT.
FO0974020	NEXT/2 OIL NOZZLE FLEX SPOUT BSP		FLEXIBLE	YES	6 - 60	1.5 - 15	70	994	2	3/4" BSP	FLEX EXT.
FO0974030	NEXT/2 OIL NOZZLE RIGID SPOUT NPT		RIGID	YES	6 - 60	1.5 - 15	70	994	2	3/4" NPT	RIGID EXT.
FO0974070	NEXT/2 OIL NOZZLE FLEX SPOUT NPT		FLEXIBLE	YES	6 - 60	1.5 - 15	70	994	2	3/4" NPT	FLEX EXT.