



KITS



PUMPS



METERS



METERED NOZZLES



NOZZLES


 WASTE OIL
 EQUIPMENTS

EASY K400

FEATURES

- **READY TO USE**
- **EASY TO CALIBRATE**
- **DOUBLE TOTALIZER**
- **ELECTRONIC RESET FUNCTION**
- **HIGH ACCURACY**
- **ERGONOMIC GRAB**
- **LOW BATTERY CONSUMPTION**
- **IP65 PROTECTION**
- **RUBBER PROTECTION**
- **ADJUSTABLE UMA CAMSHAFT**
- **SWIVEL**

The PIUSI EASY K400 is the perfect synthesis for all the needs of transferring and measuring oils. It is composed by the ergonomic EASY OIL nozzle and the K400 meter.

PERFORMANCE

UP TO

30 L/MIN

FLOW RATE

70 BAR

OPERATING PRESSURE

± 0,5%

ACCURACY

UP TO

2000 CST

VISCOSITY


EASY K400 WITH FLEXIBLE SPOUT

with rigid spout

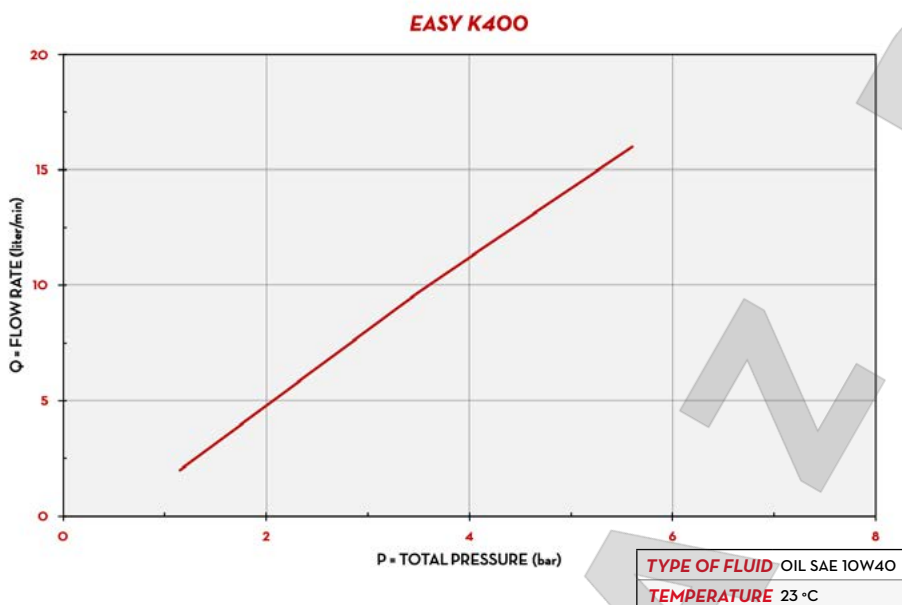
without spout



PACKAGING

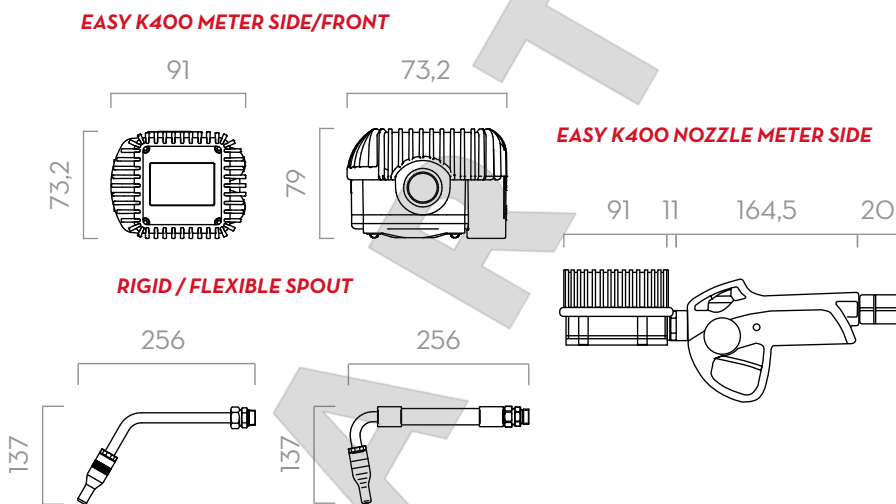
| CODE | WEIGHT | | PACKAGING | | | N. BOXES/ EUROPALLET | |
|-----------|--------|-----|-------------|------------|---------|-------------------------|-----|
| | KG | LBS | MM | PCS/PALLET | PCS/BOX | | |
| FO0984040 | 1,2 | 2,6 | 300X160X110 | | 1 | 180 | 180 |
| FO0984010 | 1,5 | 3,3 | 300X160X110 | | 1 | 180 | 180 |
| FO0984000 | 1,5 | 3,3 | 300X160X110 | | 1 | 180 | 180 |
| FO0984070 | 1,5 | 3,3 | 300X160X110 | | 1 | 180 | 180 |
| FO0984060 | 1,5 | 3,3 | 300X160X110 | | 1 | 180 | 180 |


INDEX

CHART

IN THE BOX

- EASY OIL NOZZLE
- K400 METER
- INSTRUCTION MANUAL

DETAILS

DIMENSIONS


Dimensions expressed in millimeters

MATERIALS

- NOZZLE BODY: ALLUMINIUM
- VALVE: NBR, NICKEL PLATED STEEL, BRASS
- METER BODY: ALLUMINIUM
- GEARS: TECHNOPOLYMER

TECHNICAL DATA

| CODE | DESCRIPTION | FLUIDS TYPE | SPOUT TYPE | AUTOMATIC NO DRIP VALUE | FLOW RATE | | WORKING PRESSURE | | BATTERIES 1,5 V SIZE AAA NO. | INLET | OUTLET |
|-----------|------------------------------------|-------------|-------------|-------------------------|-----------|------------|------------------|-----|------------------------------|----------|------------|
| | | | | | L/MIN | GPM | BAR | PSI | | | |
| FO0984040 | EASY K400 .7" BSP W/O SPOUT | O | - | - | 1-30 | 0,26 - 7,8 | 70 | 994 | 2 | 1/2" BSP | 1/2" BSP |
| FO0984010 | EASY K400 .7" BSP W/FLEX SPOUT HP | O | FLEXIBLE AP | YES | 1-30 | 0,26 - 7,8 | 70 | 994 | 2 | 1/2" BSP | FLEX EXT. |
| FO0984000 | EASY K400 .7" BSP W/RIGID SPOUT HP | O | RIGID AP | YES | 1-30 | 0,26 - 7,8 | 70 | 994 | 2 | 1/2" BSP | RIGID EXT. |
| FO0984070 | EASY K400 .7" BSP W/FLEX SPOUT LP | O | FLEXIBLE BP | YES | 1-30 | 0,26 - 7,8 | 70 | 994 | 2 | 1/2" BSP | FLEX EXT. |
| FO0984060 | EASY K400 .7" BSP W/RIGID SPOUT LP | O | RIGID BP | YES | 1-30 | 0,26 - 7,8 | 70 | 994 | 2 | 1/2" BSP | RIGID EXT. |

NPT VERSION AVAILABLE - QUART, PINT, GALLON VERSION AVAILABLE. APPROVABLE VERSION ON REQUEST