



KIT LUBE



DISPENSERS



PUMPS



METERS



NOZZLE METERS



NOZZLES

OIL HOSE REEL

FEATURES

- HEAVY DUTY SPRING
- HAND PROTECTION (ON REQ.)
- LONG LASTING
- STEEL HUB

The Piusi OPEN HOSE REEL for oil, entirely Made in Italy, includes a built-in heavy duty spring. It can be installed on a wall or inside a closed cabinet, suitable for any kind of oil.

PERFORMANCE

max

60BAR

MAX WORKING PRESSURE

max bound

20M

HOSE LENGTH



OPEN OIL HOSE REEL HEAVY DUTY



OPEN OIL HOSE REEL



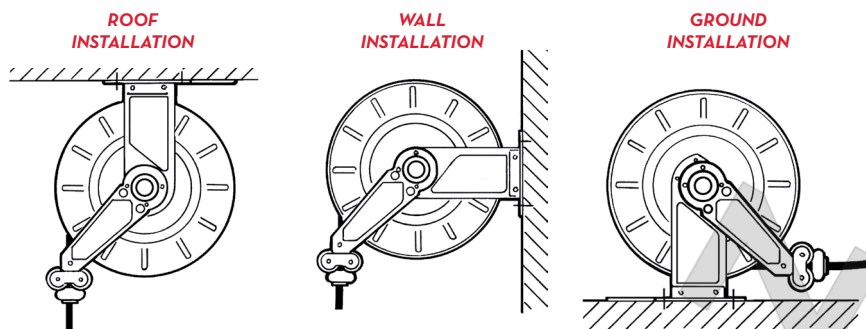
PACKAGING

CODE	WEIGHT		PACKAGING			N. BOXES/ EUROPALLET	
	KG	LBS	MM	PCS/PALLET	PCS/BOX		
WITHOUT HOSE							
HN60151200A	14	30,8	550X200X540		1	12	20
HN60153800A	14	30,8	550X200X540		1	12	20
HN60201200A	14	30,8	550X260X540		1	12	20
WITH HOSE							
HA6010120B	16	35,2	550X200X540		1	12	20
HA6015120B	19	41,9	550X200X540		1	12	20
HA60201200A	25	55	550X260X540		1	12	20
HA60153400A	27	60	550X260X540		1	12	20
HA60101000A	25	55	550X260X540		1	12	20
HA60203400A	45	99	640X250X640		1	12	20


INDEX

INSTALLATION

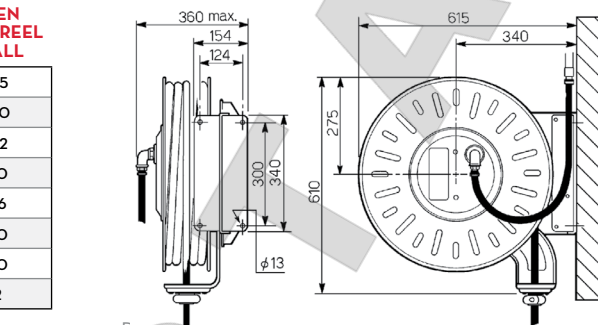
Different ways to install PIUSI's hose reels: they can be easily placed wherever you need them without any problem about functionality and safety. PIUSI's products are without a doubt designed to support your work in any condition.


IN THE BOX

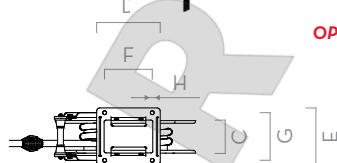
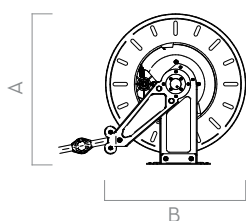
- REEL
- WALL MOUNT BRACKET
- INSTRUCTION MANUAL

DIMENSIONS

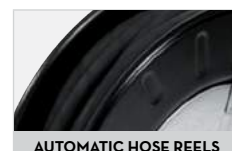
MODEL	OPEN HOSE REEL BIG	OPEN HOSE REEL SMALL
A	495	475
B	460	460
C	152	102
D	200	150
E	246	196
F	150	150
G	200	150
H	12	12



OPEN OIL HOSE REEL HEAVY DUTY



Measures expressed in millimeters

DETAILS

MATERIALS

- BODY: CAST IRON
- HUB: SYNTHETIC STEEL
- TUBE: RUBBER

TECHNICAL DATA

CODE	DESCRIPTION	FLUIDS TYPE	HOSE	MAX WORKING PRESSURE	PRESSURE DROP	INLET WITH SWIVEL	OUTLET HOSETAIL	HOSE MAX LENGHT BOUND	HOSE LENGHT
			BSP	BAR	BAR	BSP	BSP	M	M
WITHOUT HOSE									
HN60151200A	OPEN HOSE REEL 1/2" 15MT SMALL		1/2"	60	-	1/2" MALE	1/2" MALE	15	-
HN60153800A	OPEN HOSE REEL 3/8" 15MT SMALL		3/8"	60	-	3/8" FEMALE	3/8" FEMALE	15	-
HN60201200A	OPEN HOSE REEL 1/2" 20MT BIG		1/2"	60	-	1/2" MALE	1/2" MALE	20	-
WITH HOSE									
HA6010120B	OPEN HOSE REEL 1/2" + 10MT HOSE SMALL		1/2"	60	10 @ 30 L/MIN*	1/2" MALE	1/2" MALE	-	10
HA6015120B	OPEN HOSE REEL 1/2" + 15MT HOSE SMALL		1/2"	60	16 @ 30 L/MIN*	1/2" MALE	1/2" MALE	-	15
HA60201200A	OPEN HOSE REEL 1/2" + 20MT HOSE BIG		1/2"	60	25 @ 30 L/MIN*	1/2" MALE	1/2" MALE	-	20
HA60153400A	OPEN HOSE REEL 3/4" + 15MT HOSE BIG		3/4"	60	4,5 @ 30 L/MIN*	1" MALE	3/4" MALE	-	15
HA60101000A	OPEN HOSE REEL 1" + 10MT HOSE BIG		1"	60	2 @ 30 L/MIN*	1" MALE	1" MALE	-	10
HA60203400A	OPEN HOSE REEL HEAVY DUTY		3/4"	60	-	3/4" FEMALE	3/4" FEMALE	-	20