



KITS



PUMPS



METERS



METERED NOZZLES



NOZZLES


 WASTE OIL
 EQUIPMENTS

VISCOMAT VANE

FEATURES

- ADJUSTABLE BYPASS
- MULTI-PURPOSE PUMP
- SUITABLE TO TRANSFER WASTE OILS

The PIUSI VISCOMAT VANE is an electric vane pump suitable for transferring low viscosity fluids. The pump is equipped with a built-in adjustable bypass.

PERFORMANCE

UP TO
50 L/MIN

FLOW RATE

UP TO
500
CST

VISCOSITY

BELOW
77 DB

NOISE LEVEL*

AC
VOLTAGE

POWER



VISCOMAT VANE

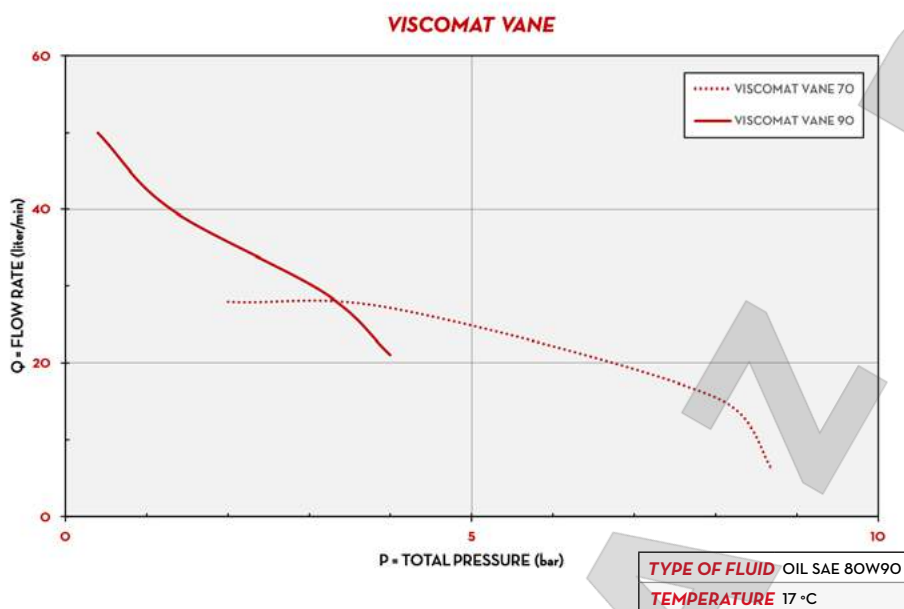


PACKAGING

CODE	WEIGHT		PACKAGING				
	KG	LBS	MM	INCH	PCS/PALLET	PCS/BOX	
VISCOMAT 70							
FO033490A	14,15	31,1	355X185X285	-	60	72	1
FO033190A	14,15	31,1	350X200X280	-	60	72	1
VISCOMAT 90							
FO0303M00	14,15	31,1	350X200X280	-	60	72	1
000303000	14,15	31,1	350X200X280	-	60	72	1



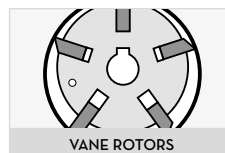
CHART



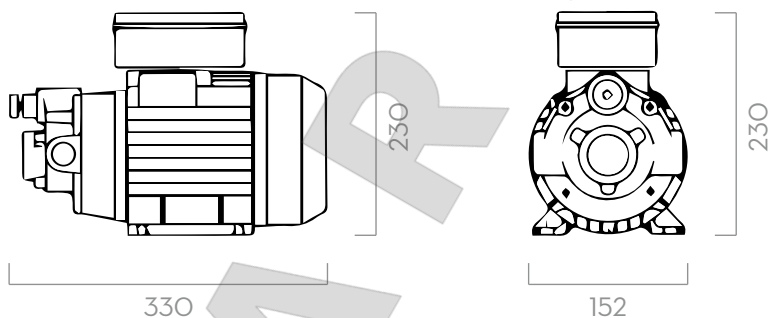
IN THE BOX

- VISCOMAT VANE PUMP
- INSTRUCTION MANUAL

DETAILS



DIMENSIONS



Dimensions expressed in millimeters

MATERIALS

- BODY: CAST IRON
- ROTOR: SINTERED STEEL
- VANES: TECHNOPOLYMER
- SHAFT: STEEL

TECHNICAL DATA

CODE	DESCRIPTION	FLUIDS TYPE	FLOW RATE		WORKING PRESSURE		VOLTAGE				RPM	INLET OUTLET BSP	BYPASS VALVE
			L/MIN	GPM	BAR	PSI	SINGLEPHASE MOTOR V/Hz	THREEPHASE MOTOR V/Hz	POWER WATT	AMP. MAX			
VISCOMAT 70													
FO033490A	VISCOMAT 70 M. 230/50/60		25	7	6	85	230/50/60	-	1200/1000	5,5-5,1	1470/1650	1" BSP	YES
FO033190A	VISCOMAT 70 T. 400/50/60		25	7	6	85	-	400/50 - 460/60	650/1000	2,2/3,1	1470/1750	1" BSP	YES
VISCOMAT 90													
FO0303M00	VISCOMAT 90 M. 230/50/60*		50	13	5	71	230/50/60	-	1350/1600	6,2/4,9	1400/1600	1" BSP	NO
000303000	VISCOMAT 90 T. 400/50		50	13	5	71	-	400/50	2000	5	1450	1" BSP	YES

UPON REQUEST IT IS AVAILABLE WITH DIFFERENT VOLTAGE AND FREQUENCY - (*) WITHOUT ADJUSTABLE BYPASS VALVE