

# PANTHER AC

## FEATURES

- **COMPACT AND STURDY DESIGN**
- **READY TO USE**
- **EASY TO INSTALL**
- **INTEGRATED FILTER**

The PIUSI PANTHER AC is a versatile self-priming rotary electric vane transfer pump available in three versions (56 - 72 - 90) particularly suitable for dispensers, fixed fuel transferring system and other industrial applications. It is equipped with a by-pass valve and an incorporated filter to stop impurities.

### PERFORMANCE

UP TO  
**90 L/MIN**

FLOW RATE

**AC**  
**CONTINUOUS DUTY**

POWER



**PANTHER 56 (flanges not included)**



**PANTHER 72 - PANTHER 90 (flanges included)**

### PACKAGING

CODE	WEIGHT		PACKAGING			N. BOXES / EUROPALLET	
	KG	LBS	MM	INCH	PCS/BOX	✈	🚚
<b>PANTHER 56</b>							
FO0730000	7,4	16,3	345X175X255	-	1	60	84
000731000	7,4	16,3	345X175X255	-	1	60	84
000733000	7,4	16,3	345X175X255	-	1	60	84
<b>PANTHER 72</b>							
000732000	7,9	17,4	345X175X255	-	1	60	84
000735000	7,9	17,4	345X175X255	-	1	60	84
<b>PANTHER 90</b>							
FO0733020	9,007	19,9	345X175X255	-	1	60	84

FILTRATION

TANK MONITORING

HOSE REEL

ACCESSORIES

MERCHANDISE

AIR

ANTIFREEZE

AdBlue®

BIODIESEL

DIESEL

FOOD

GASOLINE

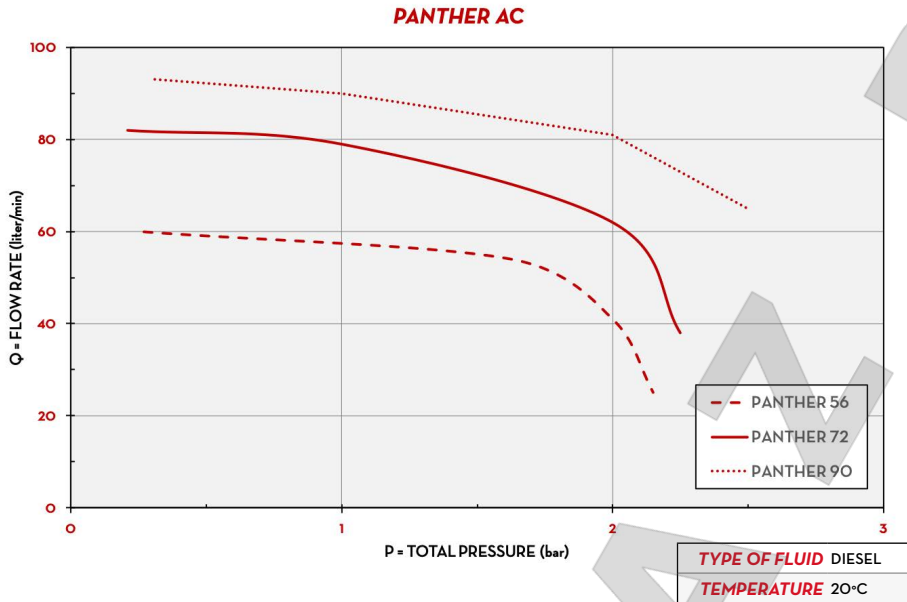
GREASE

KEROSENE

OIL

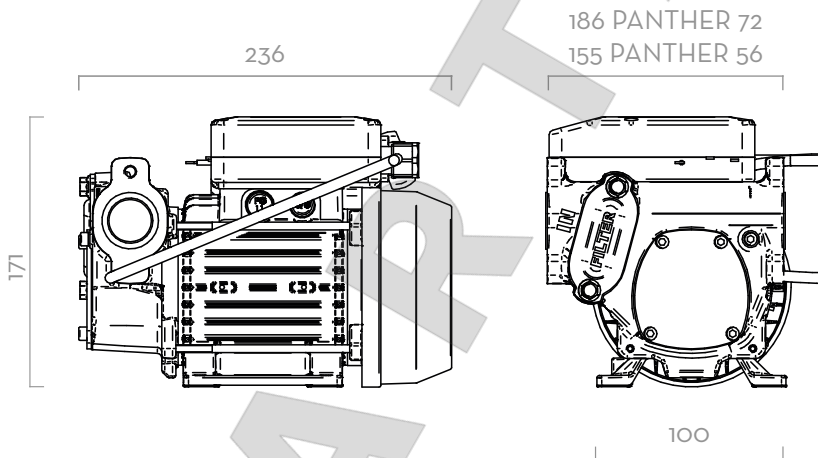
WATER

WINDSCREEN

**CHART**

**IN THE BOX**

- PANTHER AC PUMP
- INSTRUCTION MANUAL

**DETAILS**

**DIMENSIONS**


Dimensions expressed in millimeters

**MATERIALS**

- BODY: CAST IRON
- ROTOR: SINTERED STEEL
- VANES: TECHNOPOLYMER
- SHAFT: STEEL



- MAX 6M (20FT),
- SUCTION HOSE Ø 1" MIN,
- MAX SUCTION HEIGHT:  
 - 2M (7FT) W/O NON RETURN VALVE  
 - 4M (14FT) W NON RETURN VALVE


**TECHNICAL DATA**

CODE	DESCRIPTION	FLUIDS TYPE	FLOW RATE		VOLTAGE				RPM	INLET OUTLET BSP	FLANGE CONNECTION	BYPASS VALVE	INLET FILTER	DUTY CYCLE MINUTE
			L/MIN	GPM	SINGLEPHASE MOTOR V./HZ	THREEPHASE MOTOR V./HZ	POWER WATT	AMP. MAX.						
<b>PANTHER 56</b>														
FO0730000	PANTHER 56 230/50		56	15	230/50	-	350	3	2900	1"	-	YES	YES	
000731000	PANTHER 56 230/60		70	18	230/60	-	500	3,9	3400	1"	-	YES	YES	
000733000	PANTHER 56 400/50		56	15	-	400/50	500	1,3	2900	1"	-	YES	YES	
<b>PANTHER 72</b>														
000732000	PANTHER 72 230/50		72	19	230/50	-	500	4,2	2900	1"	YES	YES	YES	
000735000	PANTHER 72 400/50		72	19	-	400/50	500	1,6	2900	1"	YES	YES	YES	
<b>PANTHER 90</b>														
FO073302A	PANTHER 90 230/50		90	23,8	230/50	-	700	4,9	2900	1"	YES	YES	YES	30

UPON REQUEST IT IS AVAILABLE WITH DIFFERENT VOLTAGES AND 60 HZ FREQUENCY.