


 FUEL MANAGEMENT  
 SYSTEMS


DISPENSERS



KITS



PUMPS



METERS



NOZZLES

# PITSTOP

## FEATURES

- **READY TO INSTALL**
- **VERSATILITY**
- **STURDY STRUCTURE**

The PIUSI PITSTOP is a dispenser unit with two DC pumps, automatic hose reel, water filter and automatic nozzle with 14 meter. hose integrated into a sturdy supporting structure. Easy to install, versatile and compact, this dispenser is the all-in-one solution for setting up a perfect mobile refueling unit.

### PERFORMANCE

UP TO

**45 L/MIN**

FLOW RATE

**12/24V**

VOLTAGE

POWER

**14MT**  
 HOSE LENGTH

HOSE REEL

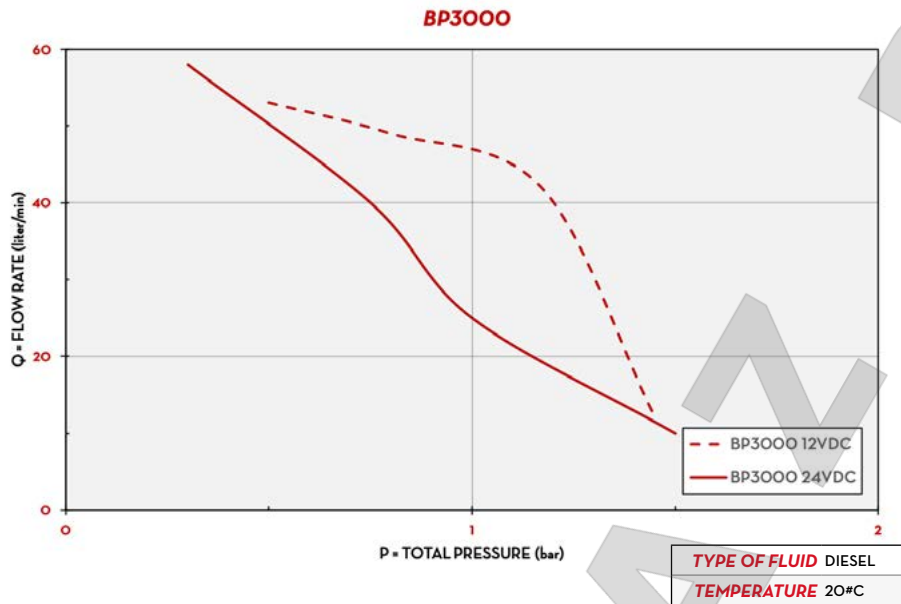
**200β/30μ**

FILTERING CAPACITY


**PITSTOP**


### PACKAGING

CODE	WEIGHT		PACKAGING		
	KG	LBS	MM	INCH	PCS/BOX
FOO212000	45	99	595X465X670	23,4X13,5X24,4	1
FOO213000	45	99	595X465X670	23,4X13,5X24,4	1

**CHART**

**IN THE BOX**

- PITSTOP UNIT
- AUTOMATIC NOZZLE
- FILTER
- INSTRUCTION MANUAL

**DETAILS**


ON/OFF SWITCH



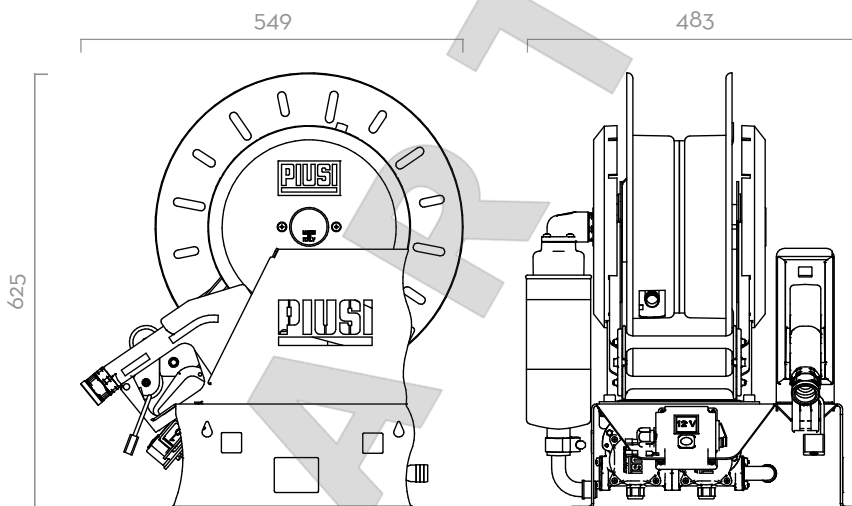
PAD LOCK



BUILT-IN DC PUMPS



ADJUSTABLE ARM

**DIMENSIONS**


Dimensions expressed in millimeters

**COMPONENTS**

- **PUMP:**  
BP3000      PAG. 114
- **FILTER:**  
WATER CAPTOR      PAG. 172
- **NOZZLE:**  
A60      PAG. 160

**TECHNICAL DATA**

CODE	DESCRIPTION	FLUIDS TYPE	FLOW RATE		VOLTAGE			PUMP		DUTY CYCLE	NOZZLE	HOSE		INLET
			L/MIN	GPM	AC V/ HZ	DC VOLT	POWER WATT	AMP. MAX.	TYPE			N°	LENGTH	
FOO212000	PIUSI PITSTOP DC 12V	D	45	11,9	12	400	33	BP 3000	2	30	A60	14M	3/4"	1"
FOO213000	PIUSI PITSTOP DC 24V	D	45	11,9	24	620	26	BP 3000	2	30	A60	14M	3/4"	1"