

Autocomp ACE On-Car Brake Lathe



SPECIFICATIONS



ACE22 shown

Brake Lathe Specifications	
Power Requirements	115V, 15A, 60Hz, 1 ph NEMA 5-15P plug provided (220 V, 50–60 Hz optional)
Rotor Max Diameter	16.40 in. (417 mm) 17.50 in. (445 mm) *
Rotor Max Thickness	1.75 in. (44 mm) 2.75 in. (70 mm) *
Rotor Max Friction Face	3.63" (92 mm) 3.69" (94 mm)*
Feed Distance	5.84 in. (148 mm)
Max Runout Compensation	.020 in. (.5 mm)
Spindle Speed	Adjustable & auto variable (ACT), 0–150 rpm reversible
Motor	1.5 hp (1.12 kw) @ 3450 rpm
Optional Tablet	7 in. display with Android® OS
Spindle Height, High Range (R)	24.5"–40.5" (622–1029 mm)
Spindle Height, Low Range (R)	20.25"–36.25" (514–921 mm)**
Width (W)	27 in. (686 mm)
Height (H)	47 in. (1194 mm)
Depth (D)	34 in. (864 mm)

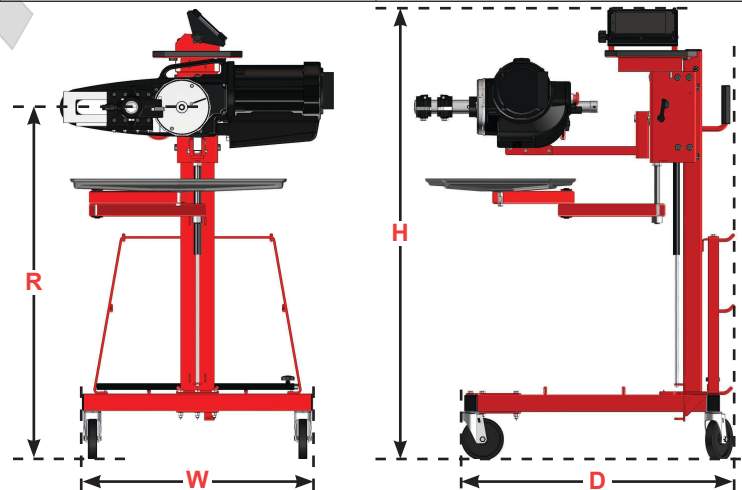
For on-car brake lathe information visit:
www.hunter.com/brake-lathes/autocomp

For local contact visit:
www.hunter.com/contact-hunter

For general inquiries visit:
www.hunter.com
or call
800-448-6848

* With optional Extended Twin Cutter Tool Assembly (20-1853-1)

** With lift strut in lower position



MODEL INFORMATION

Features	ACE00	ACE01	ACE02	ACE03	ACE10	ACE11	ACE12	ACE13	ACE20	ACE21	ACE22	ACE23
Tablet Interface					✓	✓	✓	✓	✓	✓	✓	✓
Digi-Cal									✓	✓	✓	✓
Passenger Adaptors		✓		✓		✓		✓		✓		✓
Pro Adaptors			✓				✓				✓	
Adjustable Adaptors				✓				✓				✓
Shipping Weight	203 lbs. (92 kg)	213 lbs. (97 kg)	283 lbs. (128 kg)	293 lbs. (133 kg)	208 lbs. (94 kg)	218 lbs. (99 kg)	288 lbs. (131 kg)	293 lbs. (133 kg)	213 lbs. (97 kg)	223 lbs. (101 kg)	293 lbs. (133 kg)	298 lbs. (135 kg)