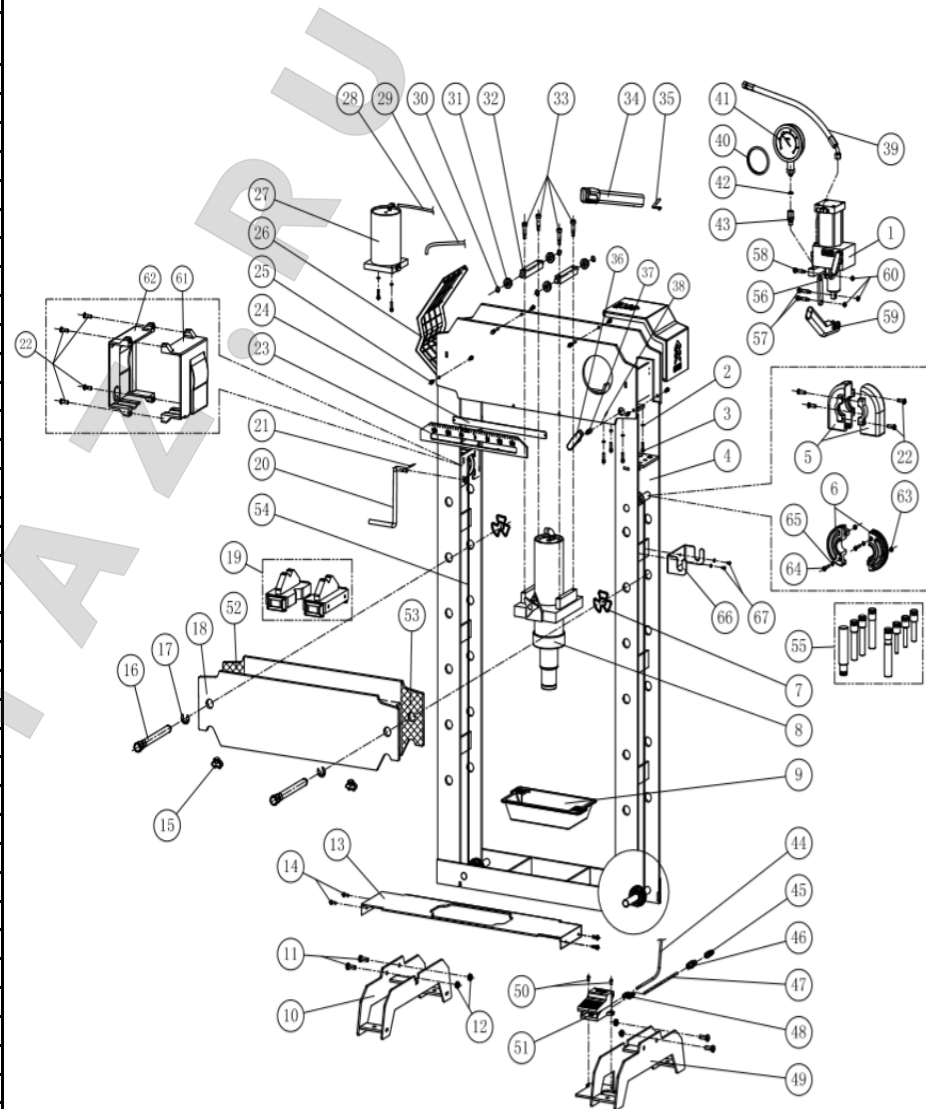
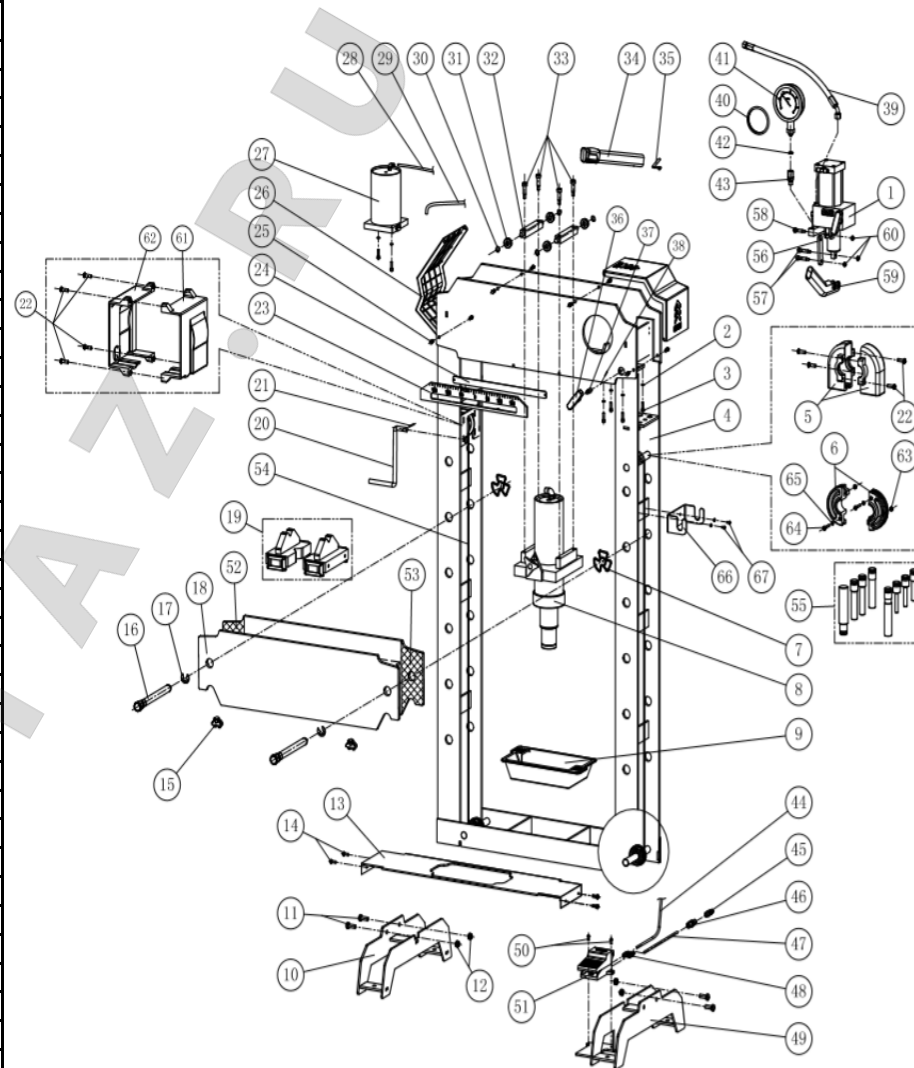


# Пресс с пневмоприводом PRO NORDBERG N3520A, N3530A, N3550A

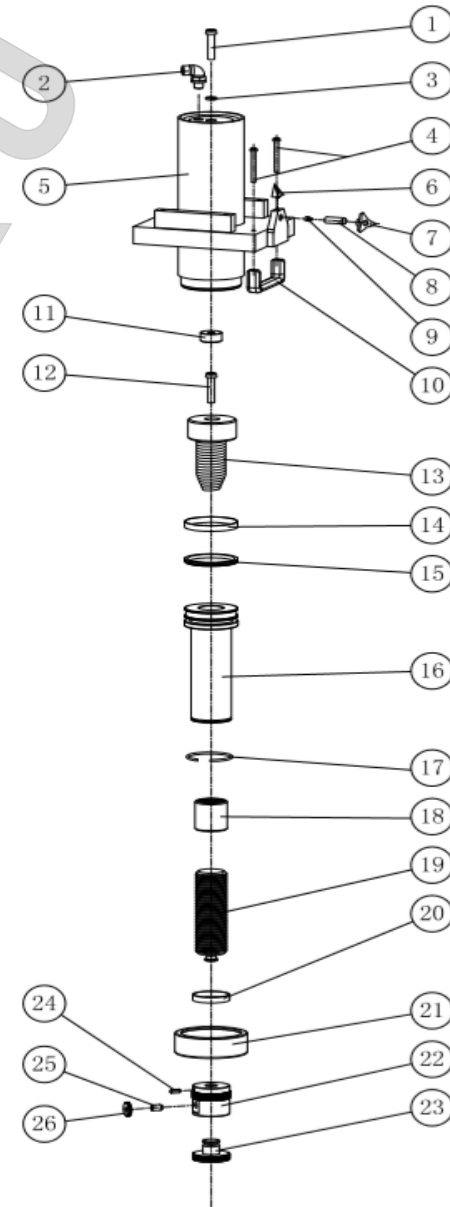
N3520A, N3530A, N3550A					
Part NO.	N3520A	N3530A	N3550A	QTY	Description
1	ZG0004			1	Oil pump assy
2	L03030019			6	Spring washer
3	L03010080			6	Inner hexagonal screw
4		ZE0006	ZE0005	1	Frame assy
5	/	/	/	1	Pulley protection cover assy
6	/	/	/	3	Pulley protection cover assy
7	L06081		L06086	2	Shift shaft ring
8	ZF0005	ZF0003	ZF0004	1	Cylinder assy
9	L06085			1	Spare parts tray
10	ZE2002		ZE2003	1	Foot base assy
11	L03010068			4	Outer hexagonal screw
12	L03020016			4	Nylon locking screw nut
13	L07Y108		L07Y109	1	Plate protection cover
14	L03010071			4	Outer hexagonal screw
15	L20085			2	Wire rope lock
16	L0190081		L0190106	2	Gear shaft
17	L06074			2	Pin rubber sleeve
18	L05100019		L05100020	2	E-clamp
19	ZE1005	ZE1003	ZE1004	1	Working bench assy
19	L0190138	L0190082	L0190109	1	V-Block assy
	L06090	L06097	L06091	2	Block baffle
	L0190118			2	Rotating shaft for block baffle
	L03010090			2	Machine screw
	L03100017			2	Spring pin
	L0190114			2	Spring pin
20	L0190068			1	Winch handle
21	L03100022			1	Cylindrical pin
22	/	/	/	1	Pulley protection cover assy
23	L06093			1	Scale
24	L07Y078			1	Layering
25	L06078			8	Plastic plug
26	L06084		L06087	2	Dust-proof cover
27	ZH0002		ZH0001	1	Oil tank Assy
28	L20026	L20026	L20026	1	PU pipe
29	L20097	L20097	L20097	1	Nylon pipe
30	L05100005			4	Axle clip spring
31	L20095			4	Bearing
32	L0190117		L0190131	2	Cylinder moving shaft
33	L03010092			4	Shoulder screw



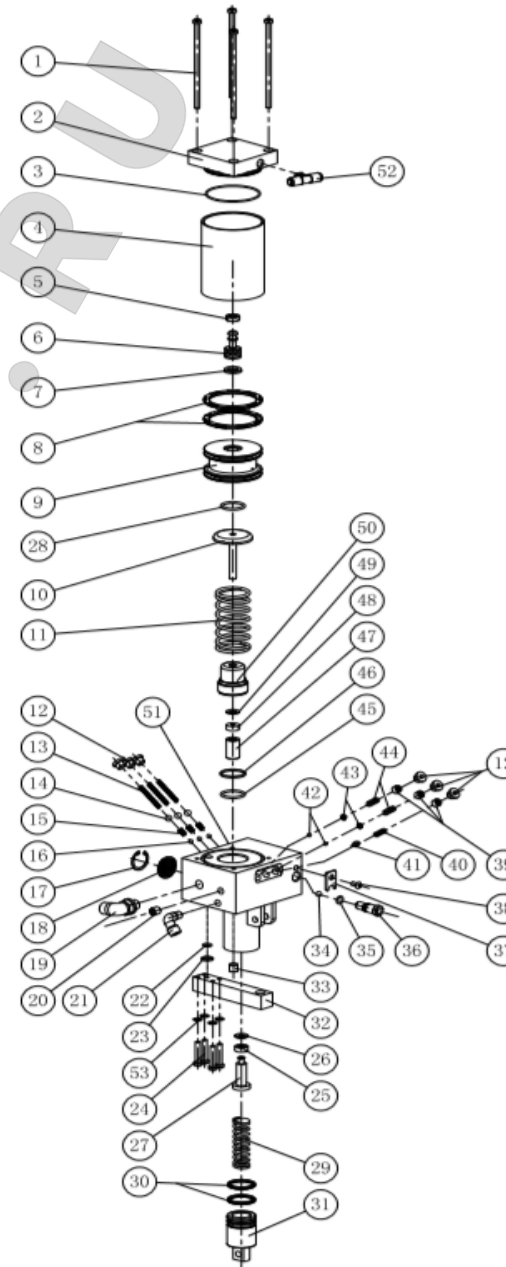
N3520A, N3530A, N3550A				
Part NO.	N3520A	N3530A	N3550A	QTY Description
34	L0190058			1 Handle assy-1
	L06072			1 Handle plastic sleeve
35	L03100015			1 V-spring
36	L06076			1 Pressure relief knob(female)
37	L0190121	L0190057		1 Pressure-relief rod2
38	L03100021			1 Spring pin
39	L20094		L20092	1 Oil pipe assy
40	L06083			1 Gauge protection strip
41	L10002	L10004	L10003	1 Pressure gauge
42	L09002			1 Gauge joint connector
43	L02020029			1 Locking O-ring
44	L20026	L20026	L20026	1 PU pipe
45	L04033			1 Air inlet connector
46	L04048			1 Quick plug straight through connector
47	L20026	L20026	L20026	1 PU pipe
48	L04049			2 Quick plug straight connector
49	ZE2005		ZE2004	1 Foot assy
50	L03010018			2 Inner hexagonal round head screw
51	L20096			1 Foot pedal valve
52	L20087		L20089	2 Workbench wear plate(right)
53	L20058		L20090	2 Workbench wear plate(left)
54	L20091	L20091	L20091	1 wirerope
55	L0190029			1 Pin(2T)
	L0190026			1 Pin(3T)
	L0190025			1 Pin(6T)
	L0190024			1 Pin(8T)
	L0190023			1 Pin(10T)
	L0190022			1 Pin(12T)
	L0190021			1 Pin(13T)
	L0190020			1 Pin(15T)
56	L07Y106			1 Pump connecting rod
57	L03010077			2 Shoulder screw
58	L03010078			1 Shoulder screw
59	L0190031	L0190059		1 Handle2 assy
60	L03020011			3 Nylon locking screw nut
61	L06114			1 Winch protection cover B
62	L06113			1 Winch protection cover A
63	L03020018			2 Thin hexagon screw nut
64	L03010085			2 Inner hexagonal screw
65	L03030023			2 Spring washer
66	L07Y158			1 Handle fixed support
67	L03010097			2 Inner hexagonal round head screw



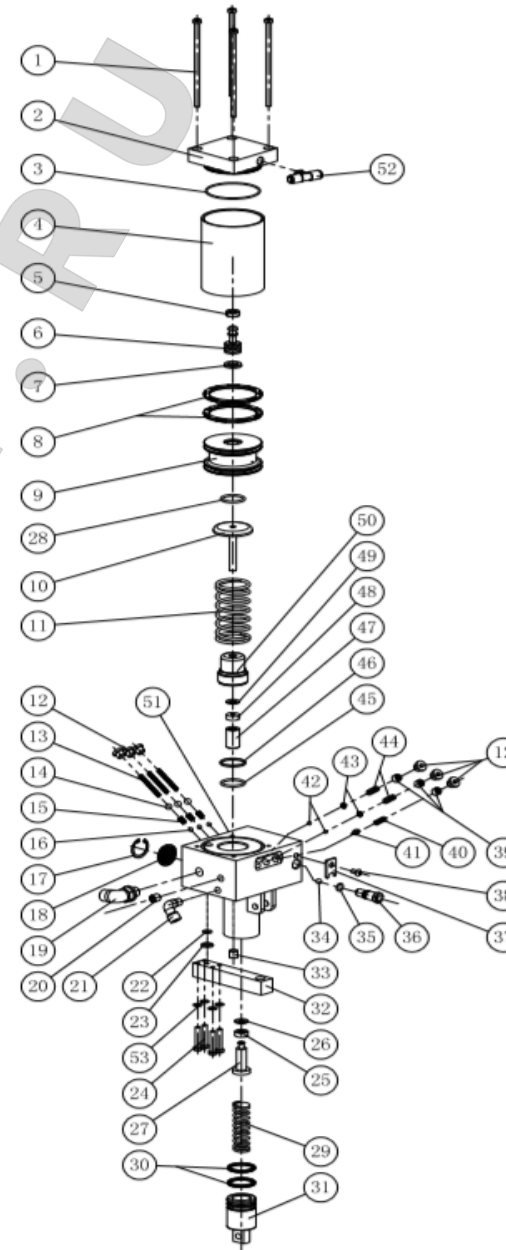
Cylinder Assy					
Part NO.	N3520A	N3530A	N3550A	QTY	Description
1	L03010096			1	Inner hexagonal screw
2	L09001			1	Oil pipe elbow
3	L02100003			1	Compound gasket
4	L03010079			2	Inner hexagonal screw
5	L0190139	L0190072	L0190090	1	Outer sleeve assy
6	L06092			1	Indicator
7	L03010086			1	Triangle locking knob
8	L03010091			1	Headless screw nut
9	L0190085			1	Knob saddle
10	L20093			1	Cylinder moving handle
11	L0190128			1	Pullback spring plug
12	L03010015			1	Inner hexagonal round head screw
13	L0190152			1	Pullback spring sets
14	L02040124	L02040121	L02040002	1	Guide ring
15	L02060033	L02060034	L02060035	1	OG step seal
16	L0190049	L0190077	L0190096	1	Piston assy
17	L05010031	L05010032	L05010033	1	Spring locking ring
18	L0190006	L0190115	L0190099	1	Screw nuts
19	L0190007	L0190116	L0190100	1	Screw arbor
20	L02040119	L02040120	L02040102	1	Guide ring
21	L0190052	L0190080	L0190101	1	Outer cylinder axle sleeve
22	L0190063		L0190108	1	Saddle
23	L0190062		L0190107	1	Top cover
24	L03010081		L03010055	1	Setscrew
25	L03010082		L03010089	1	Machine screw
26	L03020017			1	Knurl nuts



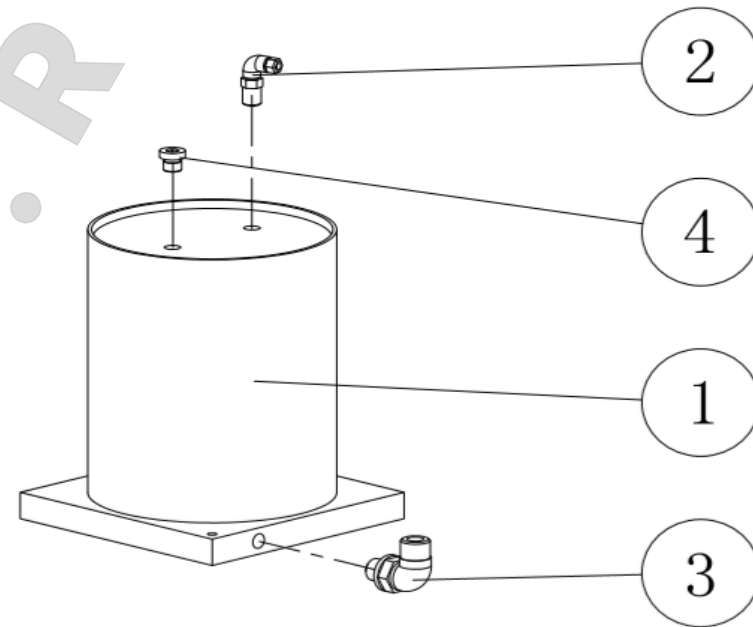
Oil Pump Assy			
Part NO.	N3550A	QTY	Description
1	L03010019	4	Inner hexagonal screw bolt
2	L0190125	1	Air inlet valve seat
3	L02010032	1	O-ring
4	L011M014	1	Air cylinder
5	L02100001	1	Rubber cap
6	L011M006	1	Air cylinder piston(small)
7	L02030003	1	Z8 sealing
8	L02100006	2	OA sealing
9	L011M013	1	Air cylinder piston
10	Z17005	1	Plunger rod
11	L05020008	1	Spring
12	L03010004	6	Screw nut(zinc plated)
13	L05020057	3	Spring
14	L20010	3	Steel ball
15	L05020009	3	Taper spring
16	L20008	3	Steel ball
17	L05100001	1	Clamp
18	L20017	1	Silencer
19	L09001	1	Oil pipe joint elbow
20	L03010039	1	Headless screw nut
21	L04005	1	Sleeve bend
22	L02020002	1	Locking O-ring
23	L02010034	1	O-ring
24	L03010094	4	Inner hexagonal screw
25	L02020028	1	Locking O-ring
26	L02030013	1	B3 sealing
27	L0190123	1	Small pump plunger
28	L02010020	1	O-ring
29	L05020061	1	Pullback spring



Oil Pump Assy			
Part NO.	N3550A	QTY	Description
30	L02010065	2	X-ring
31	L0190122	1	Large pump plunger
32	L0190133	1	Pressure gauge fixing block
33	L03010029	1	Headless screw nut
34	L20042	1	Steel ball
35	L02010050	1	O-ring
36	L0190156	1	Pressure-relief rod
37	L07Y184	1	Pressure-relief limiting plate
38	L03010101	1	Inner hexagonal round head screw
39	L03010063	3	Pressure regulating screw
40	L05020076	1	Spring
41	L0190157	1	Cone valve
42	L20064	2	Steel ball
43	L0180012	2	Ball socket
44	L05020059	2	Pressure regulating spring
45	L02010018	1	O-ring
46	L02020014	1	Locking O-ring
47	L0190155	1	Guide sleeve
48	L02030015	1	B3 sealing
49	L02020033	1	Locking ring
50	L0190154	1	Piston
51	L0190127	1	Manifold oil-way block assy
52	L04013	1	Quick twist three-way connector
53	L03030003	4	Spring washer



Oil Tank Assy					
Part NO.	N3520A	N3530A	N3550A	QTY	Description
1	ZH0002		ZH0001	1	Oil tank assy
2	L04014			1	Quick twist bend
3	L04005			1	Sleeve bend
4	L03010003			1	Screw nut (color zinc plated)



V-Block Assy					
Part NO.	N3520A	N3530A	N3550A	QTY	Description
1	L0190138	L0190082	L0190109	1	V-Block Assy
2	L06090	L06097	L06091	2	Block baffle
3	L0190118			2	Rotating shaft for block baffle
4	L03010090			2	Machine screw
5	L03100017			2	Spring pin
6	L0190114			2	Spring pin

