



KITS



PUMPS



METERS



METERED NOZZLES



NOZZLES


 WASTE OIL  
 EQUIPMENTS

# DEPUROIL

## FEATURES

- IDEAL FOR DIALYSIS OF OIL
- COMPACTNESS
- SILENT
- CLOGGING INDICATOR
- 5 METERS OF CABLE
- SPIRAL TUBES

The PIUSI DEPUROIL is an immediate mobile filtering unit, the easiest solution to a single step filtration suitable for any kind of tank. It includes the PIUSI VISCOMAT VANE pump, suitable for low/medium viscosity lubricants.

## PERFORMANCE

**AC**  
**VOLTAGE**  
 POWER



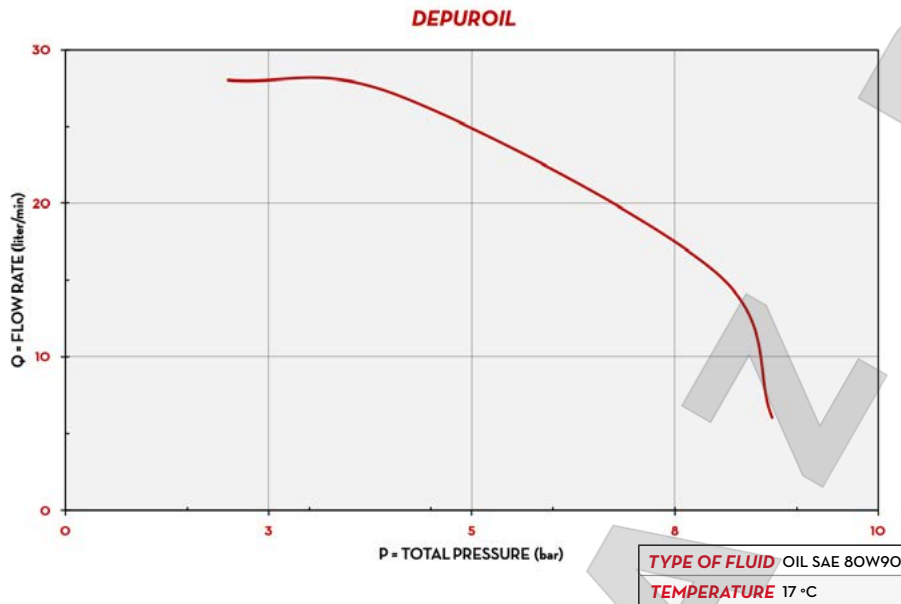
DEPUROIL

## PACKAGING

CODE	WEIGHT		PACKAGING			
	KG	LBS	MM	INCH	PCS/PALLET	PCS/BOX
00050300A	28	61,7	600X290X300	23,6X11,4X11,8		1
FO0503100	28	61,7	600X290X300	23,6X11,4X11,8		1



### CHART



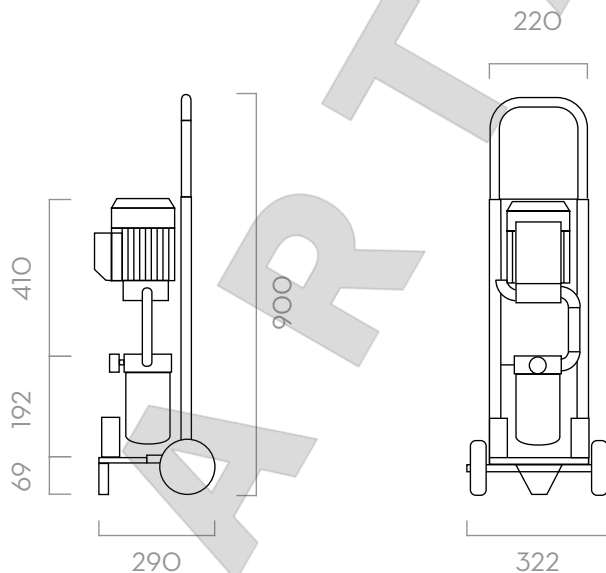
### IN THE BOX

- DEPUROIL
- FILTER CARTRIDGE
- SUCTION HOSE
- DELIVERY HOSE
- INSTRUCTION MANUAL

### DETAILS



### DIMENSIONS





Dimensions expressed in millimeters

### MATERIALS

- BODY: CAST IRON
- ROTOR: SINTHERED STEEL
- VAINS: TECHNOPYLIMER
- SHAFT: STEEL
- FILTER: ABSORBENT FILTERING PAPER

### TECHNICAL DATA

CODE	DESCRIPTION	FLUIDS TYPE	FLOW RATE		VOLTAGE			PUMP	HOSE LENGHT		FILTERING CAPACITY
			L/MIN	GPM	AC V/HZ DC VOLT	POWER WATT	AMP. MAX.		DELIVERY /FT	SUCTION M/FT	
00050300A	DEPUROIL M 230V/50HZ		20-25	5,28-6,6	230/50	1350	6,2	VISCOMAT 70	2 / 6,5	2 / 6,5	10
FO0503100	DEPUROIL 60		50	13	230/50	1350	6,2	VISCOMAT 90	2	2	10