

# ST WITH METER AND FILTER

## FEATURES

- **READY TO USE**
- **VERSATILE**
- **EASY TO INSTALL**
- **COMPACT DESIGN**
- **FILTRATION GUARANTEED**
- **AVAILABLE WITH DIFFERENT PUMPS**

PIUSI ST WITH METER AND FILTER is a range of dispensers particularly suited for all applications in which a filtration is required. The stations integrate PIUSI CLEAR or WATER CAPTOR FILTERS and are available with mechanical meter K33 or electronic meter K24/K600 B/3. They come with integrated check valve and 4-meter delivery hose.

## PERFORMANCE

UP TO  
**90 L/MIN**

FLOW RATE

**AC**  
CONTINUOUS DUTY

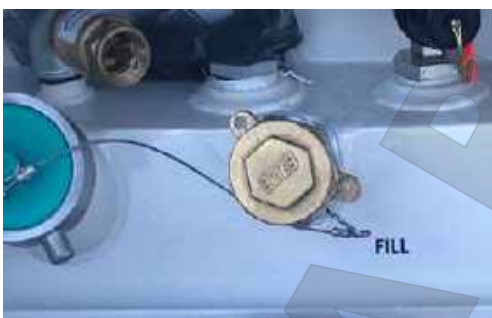
POWER

**± 1%**

ACCURACY

UP TO  
**6MT**  
LENGTH

DELIVERY HOSE



**ST PANTHER 56, K33,  
A60 AND CLEAR CAPTOR**



## PACKAGING

CODE	WEIGHT		PACKAGING		
	KG	LBS	MM	INCH	PCS/BOX
FOO386FOA	25	55	580X380X320	22,8X15X12,6	1
FOO265FOA	26	57	580X380X320	22,8X15X12,6	1
FOO395FOA	32	71	545X435X340	21,5X17,1X13,4	1
FOO386F6O	22	48	380X380X480	15X15X18,9	1
FOO386R7O	22	48	380X380X480	15X15X18,9	1
FOO265F4O	26	57	580X380X320	22,8X15X12,6	1
FOO265S8O	26	57	580X380X320	22,8X15X12,6	1
FOO395F6O	32	71	545X435X340	21,5X17,1X13,4	1
FOO265S2O	18	40	480X370X260	18,9X14,6X10,2	1
FOO265R7O	18	40	480X370X260	18,9X14,6X10,2	1



**ST PANTHER 56, K33,  
A60 AND WATER CAPTOR**



**AVAILABLE WITH DIFFERENT PUMPS AND METERS**

**AC PUMP - PANTHER 56/72**

**AC PUMP - E120**

**AUTOMATIC NOZZLE**
**IN THE BOX**

- ST WITH METER AND FILTER
- METER
- FILTER
- DELIVERY HOSE
- NOZZLE
- NOZZLE HOLDER
- INSTRUCTION MANUAL

**DETAILS**


WATER CAPTOR FILTER (pag. 170)



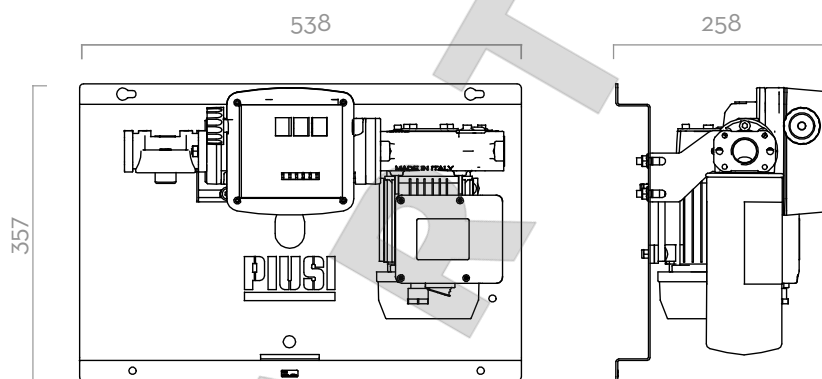
MAN. / AUTOM. NOZZLE



K24 / K600 B/3 METER



K33 METER

**DIMENSIONS**


Dimensions expressed in millimeters

**COMPONENTS**

- **PUMPS:**  
 PANTHER AC PAG. 102  
 E80/E120 PAG. 106
- **NOZZLE:**  
 AUTOMATIC NOZZLE PAG. 158
- **METER:**  
 K33 PAG. 146  
 K24 PAG. 132  
 K600 B/3 PAG. 136
- **FILTER**  
 WATER CAPTOR PAG. 170

**TECHNICAL DATA**

CODE	DESCRIPTION	FLUIDS TYPE	FLOW RATE		VOLTAGE			METER	NOZZLE	FILTER	DELIVERY HOSE	SUCTION HOSE		INLET
			L/MIN	GPM	AC V/ HZ	DC VOLT	POWER WATT					AMP. MAX.	LENGTH	
FOO386FOA	ST PANTHER 56 FILTER + A60	D	52	14	230/50	350	3	K33	A60	YES	6M	3/4"	4M	1"
FOO265FOA	ST PANTHER 72 FILTER + A60	D	70	18	230/50	500	4,2	K33	A60	YES	6M	3/4"	4M	1"
FOO395FOA	ST E120 FILTER + A120	D	85	22	230/50	1150	5,7	K33	A120	YES	6M	1"	4M	1"
FOO386F60	ST PANTHER 56 FILTER + A60	D	52	14	230/50	350	3	K33	A60	YES	6M	3/4"	-	-
FOO386R70	ST PANTHER 56 + CLEAR CAPTOR + A60	D	52	14	230/50	350	3	K33	A60	YES	6M	3/4"	-	-
FOO265F40	ST PANTHER 72 FILTER + A60	D	70	18	230/50	500	4,2	K33	A60	YES	6M	3/4"	-	-
FOO265S80	ST PANTHER 72 K600 B/F/6T/PA60	D	70	18	230/50	500	4,2	K600 B/3	A60	YES	6M	1"	-	-
FOO395F60	ST E 120 FILTER + A120	D	85	22	230/50	1150	5,7	K33	A120	YES	6M	1"	-	-
FOO265S20	ST PANTHER 72 FILTER + K24 METER	D	70	18	230/50	500	4,2	K24	A80	YES	6M	3/4"	-	-
FOO265R70	ST PANTHER 72 + CLEAR CAPTOR + A80	D	70	18	230/50	500	4,2	K24	A80	YES	6M	1"	-	-

**ST WITH METER AND FILTER**