

# EX50 ST

## FEATURES

- **STURDY STRUCTURE**
- **COMPACT, VERSATILE**
- **EASY TO INSTALL**
- **ANTI-NOISE FILTER**
- **OVERLOAD PROTECTION**

The PIUSI EX50 ST is a sturdy and compact transfer station equipped with an ACEX/IECEX certified pump suitable for the transfer of all flammable liquids. These transfer stations are the final solution for all applications in which mobile or underground tanks need to be equipped with a dispenser unit. Thanks to the flanged components, this transfer set allows users to replace any component without using sealants.



## PERFORMANCE

UP TO  
**50 L/MIN**

FLOW RATE

**AC**  
VOLTAGE  
POWER

**±1%**

ACCURACY



**PIUSI ST EX50 WITH METER AND NOZZLE**  
FO0377000



**PIUSI ST EX50 WITH METER AND NOZZLE**  
FO0377010



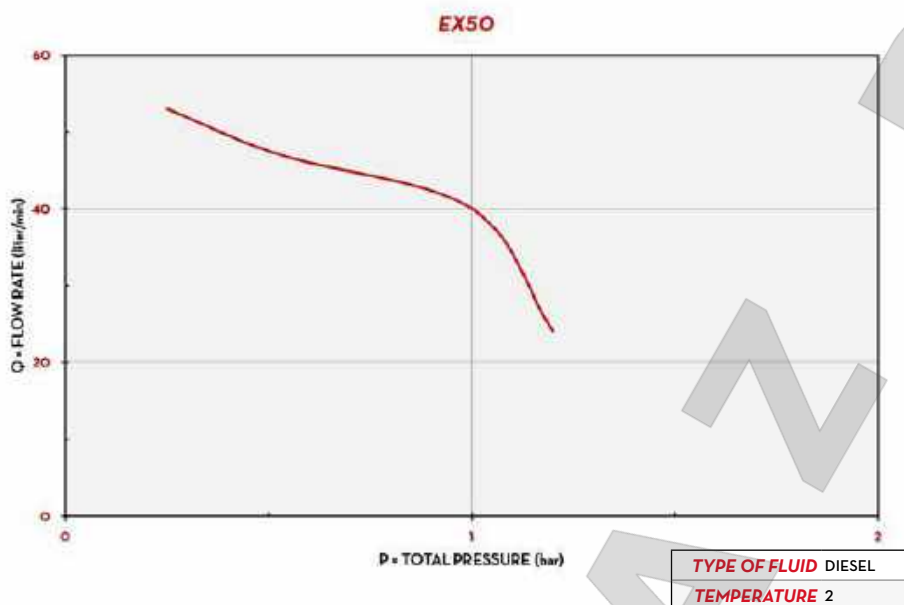
OUR PUMPS COMPLY WITH THE FOLLOWING MARKING ATEX/IECEX

II	2	G	Ex	d	IIA	T4	Gb
GROUP	CATEGORY	TYPE OF EXPLOSIVE ATMOSPHERE	PERMANENT PREFIX	PROTECTION METHOD	GAS GLASS	TEMPERATURE CLASS	EQUIPMENT PROTECTION LEVEL

## PACKAGING

CODE	WEIGHT		PACKAGING		
	KG	LBS	MM	INCH	PCS/BOX
<b>WITH METER</b> FO0377000	12	24,5	600X400X290	23,6X13,7X11,4	1
FO0377010	12	24,5	600X400X290	23,6X13,7X11,4	1

CHART



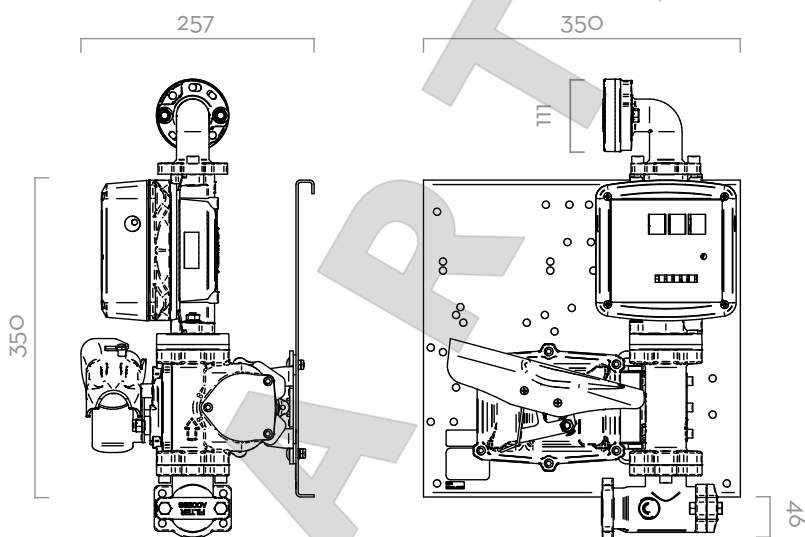
IN THE BOX

- EX50 PUMP
- METALLIC PLATE
- TELESCOPIC SUCTION HOSE
- GASOLINE HOSE
- FILTER
- NOZZLE
- 2" CONNECTOR
- K33 MECHANICAL METER (ON REQUEST)
- INSTRUCTION MANUAL

DETAILS



DIMENSIONS



Dimensions expressed in millimeters

COMPONENTS

- PUMP:  
EX50 PAG. 94
- METER:  
K33 ATEX PAG. 128
- NOZZLE:  
A60 ATEX PAG. 156

TECHNICAL DATA

CODE	DESCRIPTION	FLUIDS TYPE	FLOW RATE		VOLTAGE			METER	NOZZLE	FILTER	INLET	HOSE	
			L/MIN	GPM	AC V/HZ	DC VOLT	POWER WATT					AMP. MAX.	BSP
FO0377000	ST EX50 230V K33 ATEX + AUT. NOZZLE	D G K	50	13	230/50-60	250	21	K33	AUT.	-	1"	4	3/4"
FO0377010	ST EX50 230V K33 ATEX + AUT. NOZZLE (RU VERSION)	D G K	50	13	230/50-60	250	21	K33	AUT.	-	1"	4	3/4"

WITH METER

( ) UPON REQUEST IT IS AVAILABLE WITH DIFFERENT VOLTAGES AND 60 HZ FREQUENCY. COMPATIBLE FLUIDS: DIESEL, KEROSENE, PETROL, PETROL