


 FUEL MANAGEMENT  
 SYSTEMS


DISPENSERS



KITS



PUMPS



METERS



NOZZLES

# ST 200 DC

## FEATURES

- **STURDY STRUCTURE**
- **COMPACT DESIGN**
- **READY TO USE**
- **HIGH RELIABILITY**
- **HEAVY DUTY**

PIUSI ST 200 DC is a 24V portable dispensing unit for high flow applications. The low weight of the unit makes it easy to handle and suitable for operating on worksites in every condition; both on tanks or for mobile applications. Thanks to the mechanical meter K700, this sturdy dispenser guarantees the maximum precision (on request).

### PERFORMANCE

UP TO  
**185 L/MIN**

FLOW RATE

**24V**  
VOLTAGE

POWER

**20 MIN**  
(40MIN OFF)

DUTY CICLE


**ST 200 DC**


### PACKAGING

CODE	WEIGHT		PACKAGING		
	KG	LBS	MM	INCH	PCS/BOX
FO0318000	18	40	480X370X265	18,9X14,6X10,4	1



AIR



ANTIFREEZE



AdBlue®



BIODIESEL



DIESEL



FOOD



GASOLINE



GREASE



KEROSENE



OIL

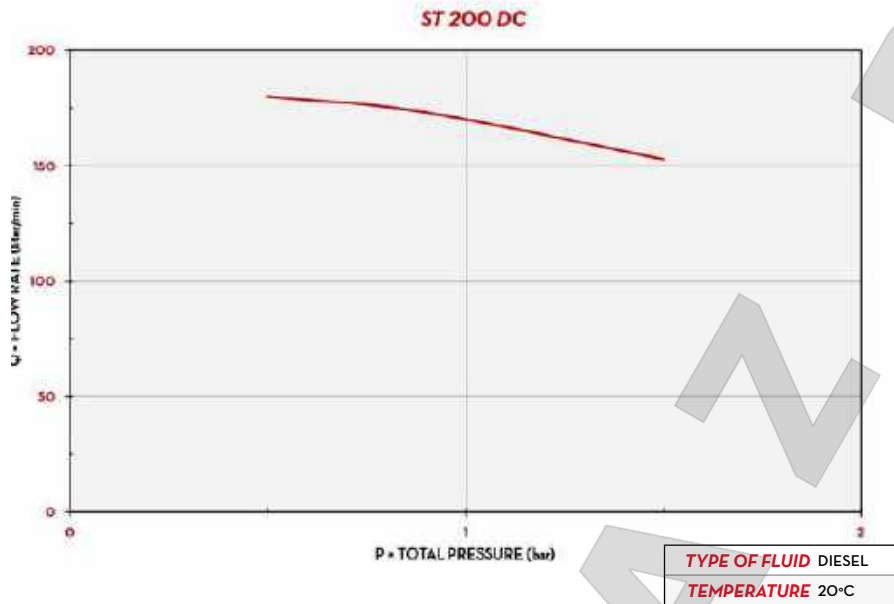


WATER



WINDSCREEN

## CHART



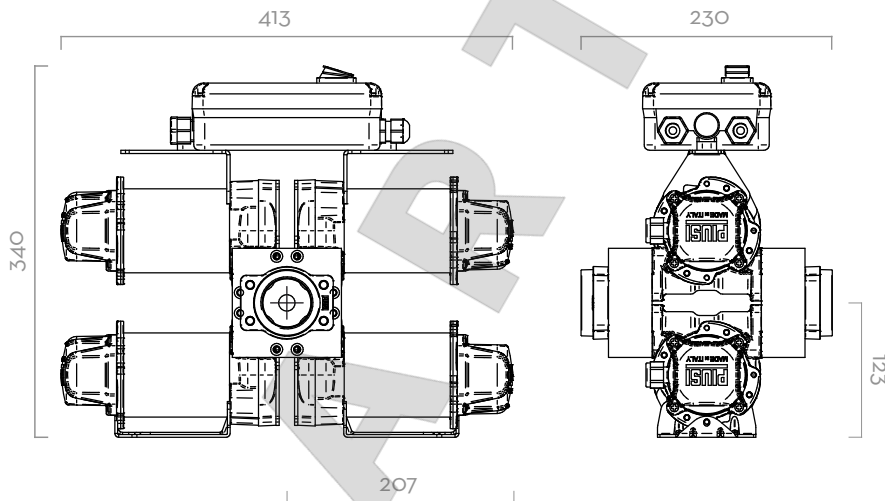
## IN THE BOX

- ST 200 DC UNIT
- ELECTRIC CABLE WITH CLAMPS
- INSTRUCTION MANUAL

## DETAILS



## DIMENSIONS



*Dimensions expressed in millimeters*

## MATERIALS

- BODY: CAST IRON
- ROTOR: SINTERED STEEL
- VANES: ACETAL RESIN
- SEAL: NBR
- SHAFT: STEEL

## TECHNICAL DATA

CODE	DESCRIPTION	FLUIDS TYPE	FLOW RATE		VOLTAGE			DUTY CICLE	PUMP		MAX PRESSURE	OUTLET
			L/MIN	GPM	AC V/HZ	DC VOLT	POWER WATT		AMP. MAX.	MINUTES		
FO0318000	ST 200 DC 24 V	D	185	42-48	24	1200	50	30	BYPASS 3000	4	2	1" 1/2