

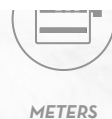
CAR FILLING


 FUEL MANAGEMENT
 SYSTEMS


KITS



PUMPS



METERS



METERED NOZZLES

SUZZARABLUE BOX

FEATURES

- EASY TO INSTALL
- READY TO USE
- BUILT-IN LOCK

The PIUSI SUZZARABLUE BOX is specifically designed for wall or tank installation. Is is equipped with a metallic box which allows to lock up all the equipment.

PERFORMANCE

UP TO

32 L/MIN

FLOW RATE

AC

VOLTAGE

POWER

±1%

ACCURACY

20 MIN

DUTY CYCLE



SUZZARABLUE BOX



PACKAGING

CODE	WEIGHT		PACKAGING		
	KG	LBS	MM	INCH	PCS/BOX
FOO20196B	25	55,1	575X320X607	22,6X23,9	1



NOZZLES



FILTRATION



TANK MONITORING



HOSE REEL



ACCESSORIES



MERCHANDISE

INDEX



AIR



ANTIFREEZE



AdBlue®



BIODIESEL



DIESEL



FOOD



GASOLINE



GREASE



KEROSENE



OIL

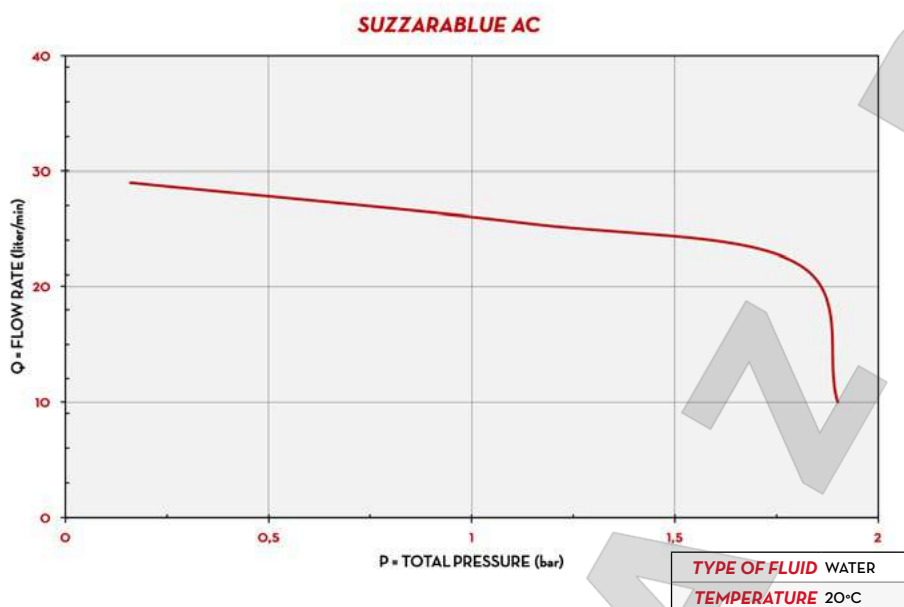


WATER

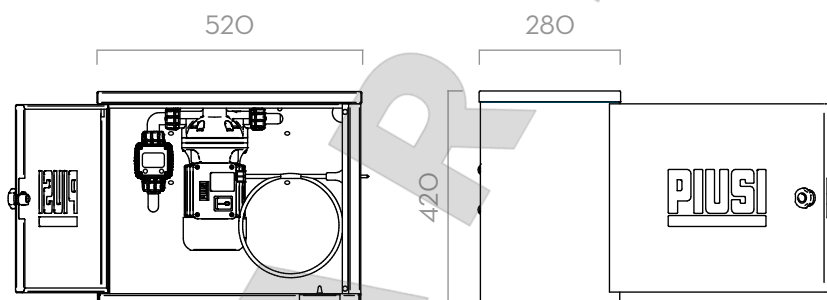


WINDSCREEN

CHART



DIMENSIONS



Dimensions expressed in millimeters

IN THE BOX

- SUZZARABLUЕ PUMP AC
- K24 METER
- NOZZLE
- INSTRUCTION MANUAL

DETAILS



AUTOMATIC NOZZLE



FOOT VALVE



K24

COMPONENTS

- **PUMP:**
SUZZARABLUЕ PUMP AC PAG. 68
- **METER:**
K24 METER PAG. 92
- **NOZZLE:**
SUZZARABLUЕ A60 PAG. 116

TECHNICAL DATA

CODE	DESCRIPTION	FLUIDS TYPE	FLOW RATE		VOLTAGE			METER	NOZZLE	HOSE LENGTH
			L/MIN	GPM	AC V/HZ DC VOLT	POWER WATT	AMP. MAX.	MOD.	TYPE	
FOO20196B	SUZZARABLUЕ BOX		32	8,5	230/50	400	1,95	K24	SUZZARABLUЕ NOZZLE A60	6 M