

# K24 ATEX



## FEATURES

- BURSTING PRESSURE 100 BAR
- LCD DISPLAY
- FLOW RATE INDICATION
- EASY TO CALIBRATE
- UL VERSION AVAILABLE

The PIUSI K24 ATEX, specifically designed to be compliant with ATEX/IECEX requirements, is manufactured using high-quality materials compatible with gasoline, kerosene and diesel to be used in potentially explosive areas. This turbine flow meter is equipped with a 6-digit totalizer and partial reset.

### PERFORMANCE

**7-120**

 L/MIN  
 FLOW RATE

**20 BAR**

 MAX  
 OPERATING PRESSURE

**± 1%**

ACCURACY

**0,3%**

REPEATABILITY


**K24 ATEX / IECEX**

OUR PRODUCT COMPLIES WITH THE FOLLOWING MARKING ATEX/IECEX

II	2	G	Ex	ia	IIB	T4	Gb
GROUP	CATEGORY	TYPE OF EXPLOSIVE ATMOSPHERE	PERMANENT PREFIX	PROTECTION METHOD	GAS GLASS	TEMPERATURE CLASS	EQUIPMENT PROTECTION LEVEL

### PACKAGING

CODE	WEIGHT		PACKAGING		
	KG	LBS	MM	INCH	PCS/BOX
<b>K24 A ATEX/IECEX METER</b>					
FOO408X00	0,65	1,4	115X160X135	4,5X6,3X5,3	1
<b>K24 A ATEX/IECEX PULSER</b>					
FOO408Y00	0,65	1,4	115X160X135	4,5X6,3X5,3	1





AIR



ANTIFREEZE



AdBlue®



BIODIESEL



DIESEL



FOOD



GASOLINE



GREASE



KEROSENE



OIL

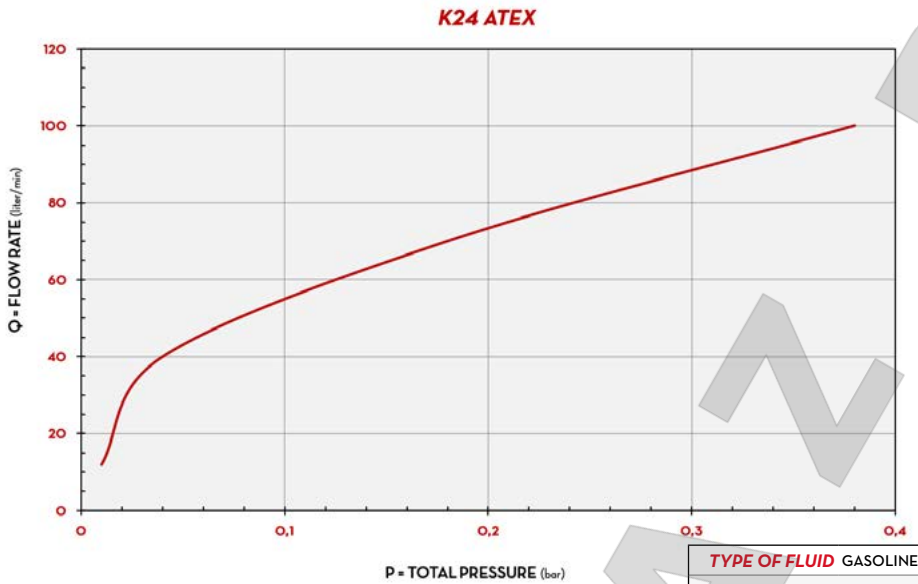


WATER



WINDSCREEN

### CHART



### IN THE BOX

- K24 ATEX METER
- INSTRUCTION MANUAL

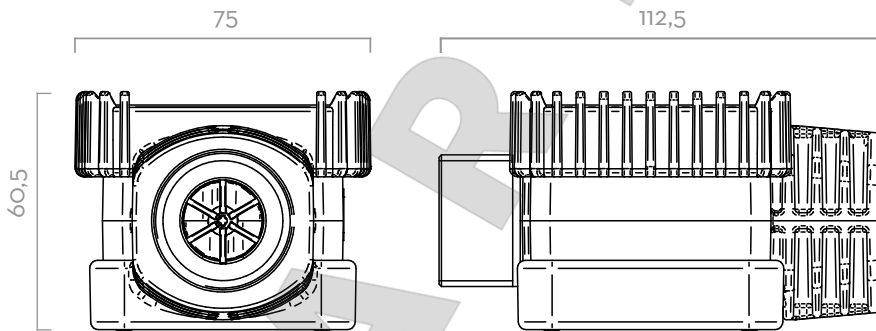
### DETAILS



### MATERIALS

- BODY: ALUMINIUM
- GEARS: TECHNOPOLYMER

### DIMENSIONS



Dimensions expressed in millimeters

### TECHNICAL DATA

CODE	DESCRIPTION	FLUIDS TYPE	FLOW RATE		PRESSURE		SPECIAL BATTERY INCLUDED N° 1.3V LITHIUM	FLANGE	INLET / OUTLET
			L/MIN	GPM	BAR	PSI			
<b>K24 A ATEX/IECEX METER</b>									
FO0408X00	K24 A M/F 1" BSP ATEX/IECEX	D G K	7 - 120	2 - 32	20	300	YES	NO	M 1" BSP - F 1" BSP
<b>K24 A ATEX/IECEX PULSER</b>									
FO0408Y00	K24 A PULSER M/F 1" BSP ATEX/IECEX (92 PULSE/L)	D G K	7 - 120	2 - 32	20	300	NO	NO	M 1" BSP - F 1" BSP

FLUIDS PERMITTED: DIESEL, KEROSENE, PETROL, PETROL ALCOHOL MIXED MAX 20%  
 КОМПОНУИ ДОПУЩЕНО ЗА ПУЛСЕРИ: ДИЗЕЛ, КЕРОСЕН, ПЕТРОЛ, ПЕТРОЛ АЛКОХОЛ МИШЕД МАКС 20%

**K24 ATEX**