



KITS



PUMPS



METERS



METERED NOZZLES



NOZZLES


 WASTE OIL
 EQUIPMENTS

K600/4

FEATURES

- ADJUSTABLE FLANGES
- INSTANTANEOUS READING
- EXTREMELY ACCURATE
- SUITABLE FOR INDUSTRIAL APPLICATIONS
- IDEAL FOR MOBILE INSTALLATIONS
- LOW ENERGY CONSUMPTION

The PIUSI K600/4 is an oval gear meter suitable for monitoring the delivery of low and medium viscosity oils. Its 4 couples of gears allows to reach high flow rates.

PERFORMANCE

UP TO
15-150 L/MIN

FLOW RATE

20 BAR

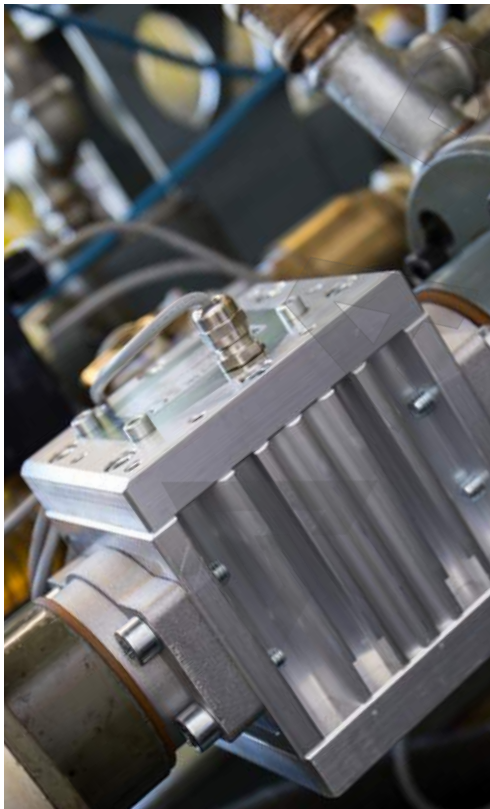
OPERATING PRESSURE

± 0,5 %

ACCURACY

0,2%

REPEATABILITY


K600/4

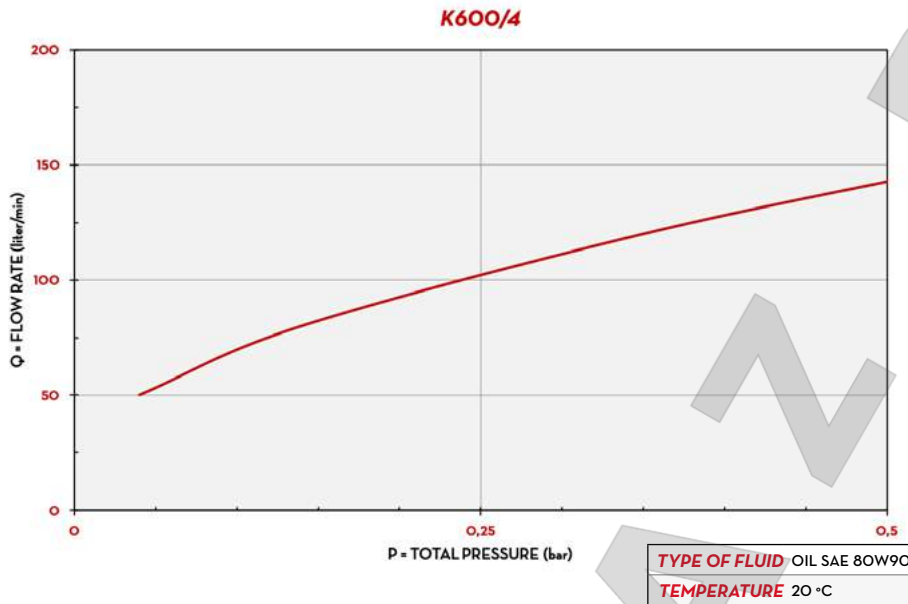
K600/4 PULSER

PACKAGING

CODE	WEIGHT		PACKAGING			
	KG	LBS	MM	INCH	PCS/PALLET	PCS/BOX
METER						
00049700A	3,2	7	200X120X140	7,9X4,7X5,5		1
PULSER						
000473000	3,2	7	200X120X140	7,9X4,7X5,5		1



CHART



IN THE BOX

- K600/4 METER
- INSTRUCTION MANUAL

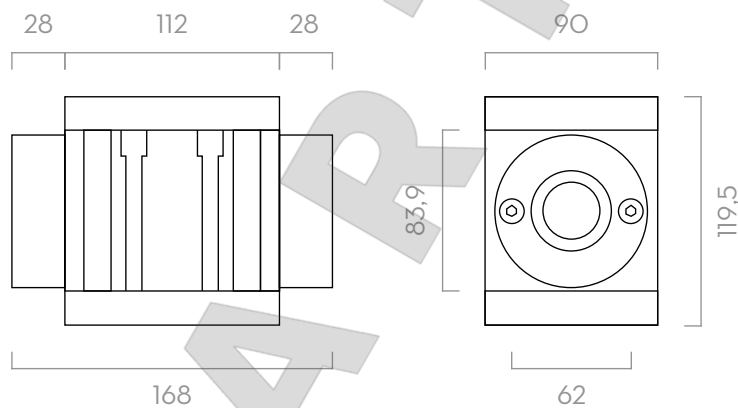
DETAILS



MATERIALS

- BODY: ALLUMINIUM
- GEARS: TECHNOPOLYMER

DIMENSIONS



Dimensions expressed in millimeters

TECHNICAL DATA

CODE	DESCRIPTION	FLUIDS TYPE	FLOW RATE		WORKING PRESSURE		BATTERY INCLUDED NO. 2 2X1,5V	FLANGE	INLET OUTLET	INLET FILTER
			L/MIN	GPM	BAR	PSI				
METER 00049700A	K600/4 METER 1." BSP		15 - 150	3,9 - 39	20	284	YES	YES	1 1/2" BSP	YES
PULSER 000473000	K600/4 PULSER 1." BSP		15 - 150	3,9 - 39	20	300	NO	YES	1 1/2" NPT	YES

UPON REQUEST AVAILABLE IN NPTF VERSION AND DISPLAY IN GALLON/QUARTER OR PINT