

# K600/3

## FEATURES

- ADJUSTABLE FLANGES
- SUITABLE FOR INDUSTRIAL APPLICATIONS
- IDEAL FOR MOBILE INSTALLATIONS
- LOW ENERGY CONSUMPTIONS

The PIUSI K600/3 is an oval gear meter suitable for monitoring the delivery of diesel, oil and antifreeze. The meter is equipped with an integrated filter and is also available in pulser version.

### PERFORMANCE

UP TO  
**10-100 L/MIN**

FLOW RATE

**30 BAR**  
MAX

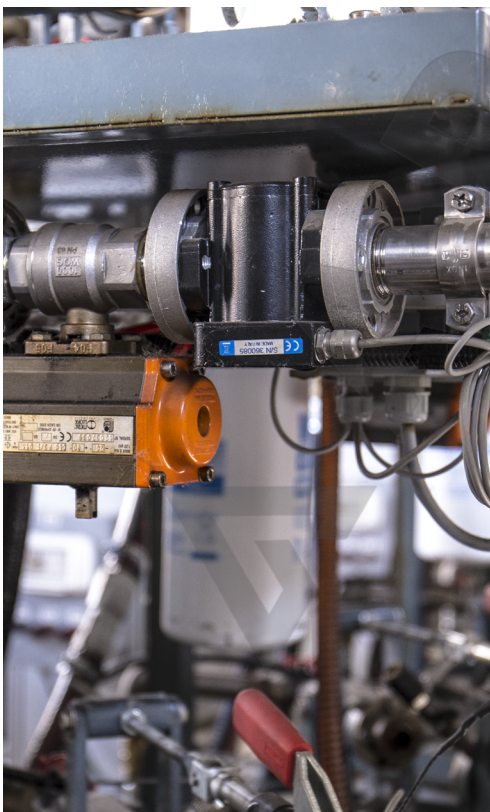
OPERATING PRESSURE

**± 0,5%**

ACCURACY

**0,2%**

REPEATABILITY



**K600/3 METER**

**K600/3 PULSER**

### PACKAGING

CODE	WEIGHT		PACKAGING		
	KG	LBS	MM	INCH	PCS/BOX
<b>METER</b>					
FOO496A00	1,6	3,5	200X120X140	7,9X4,7X5,5	1
<b>PULSER</b>					
FOO472A00	2,6	5,7	200X120X140	7,9X4,7X5,5	1



AIR



ANTIFREEZE



AdBlue®



BIODIESEL



DIESEL



FOOD



GASOLINE



GREASE



KEROSENE



OIL

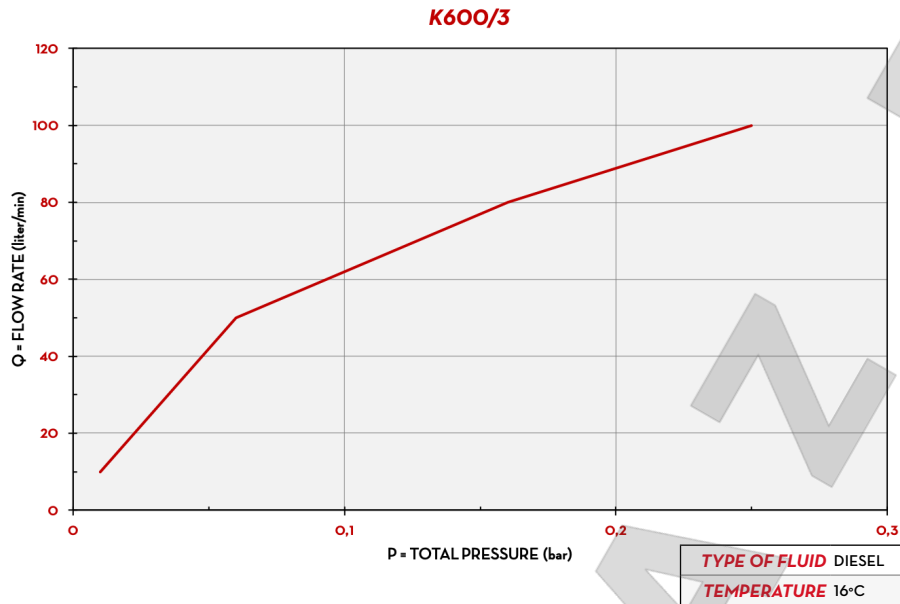


WATER



WINDSCREEN

### CHART



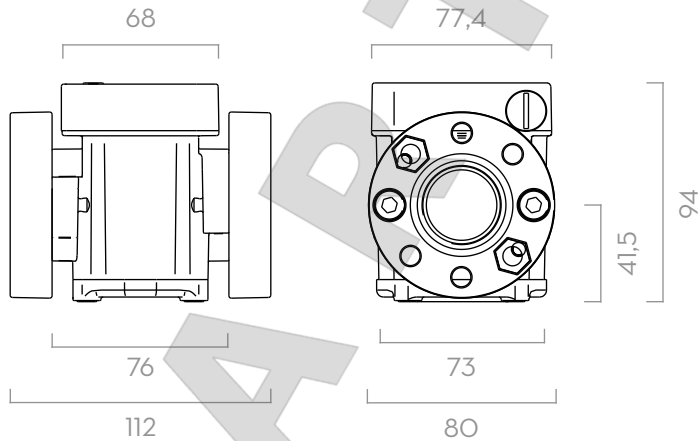
### IN THE BOX

- K600/3 METER
- FLANGES
- INSTRUCTION MANUAL

### DETAILS



### DIMENSIONS



Dimensions expressed in millimeters

### MATERIALS

- BODY: ALUMINIUM
- GEARS: TECHNOPOLYMER

### TECHNICAL DATA

CODE	DESCRIPTION	FLUIDS TYPE	FLOW RATE		PRESSURE		BATTERY	FLANGE	INLET / OUTLET	INLET FILTER
			L/MIN	GPM	BAR	PSI	N°2 X 1,5V (INCLUDED)			
<b>METER</b>										
FOO496A00	K600/3 DIESEL		10 - 100	2,64 - 26,4	30	426	YES	YES	1" BSP	YES
<b>PULSER</b>										
FOO472A00	K600/3 1" DIESEL		10 - 100	2,64 - 26,4	30	426	NO	YES	1" BSP	YES

UPON REQUEST AVAILABLE IN NPTF VERSION AND DISPLAY IN GALLON/QUARTER OR PRINT