



KITS



PUMPS



METERS



METERED NOZZLES



NOZZLES


 WASTE OIL  
 EQUIPMENTS

# FILTROLL

## FEATURES

- DOUBLE-STAGE FILTRATION
- CLOGGING INDICATOR
- TRANSPORTABLE
- MANAGEABLE
- SPIRAL TUBES

The PIUSI FILTROLL is an innovative solution that allows the user to perform a circular filtering of any kind of tank. The built-in trolley allows the operator to easily handle this device in any condition.

### PERFORMANCE

UP TO

**25L/MIN**

FLOW RATE

**AC**  
**VOLTAGE**

POWER

DC VERSION

**30MIN**

ONLY FOR DIESEL

DUTY CYCLE


**FILTROLL OIL/DIESEL**


### PACKAGING

CODE	WEIGHT		PACKAGING			
	KG	LBS	MM	INCH	PCS/PALLET	PCS/BOX
FO0506010	42	92,6	790X590X590	31,1X23,2X23,2		1


**FILTRATION**

 FLUID  
 MONITORING

 TANK  
 MONITORING


HOSE REELS



ACCESSORIES



MERCHANDISE



AIR



ANTIFREEZE



AdBlue®



BIODIESEL



DIESEL



FOOD



GASOLINE



GREASE



KEROSENE



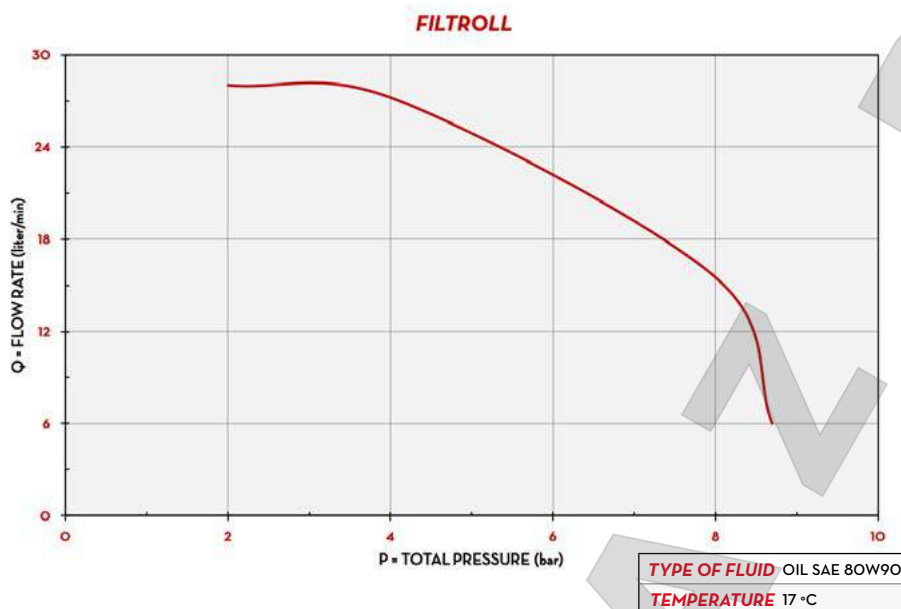
OIL



WATER



WINDSCREEN

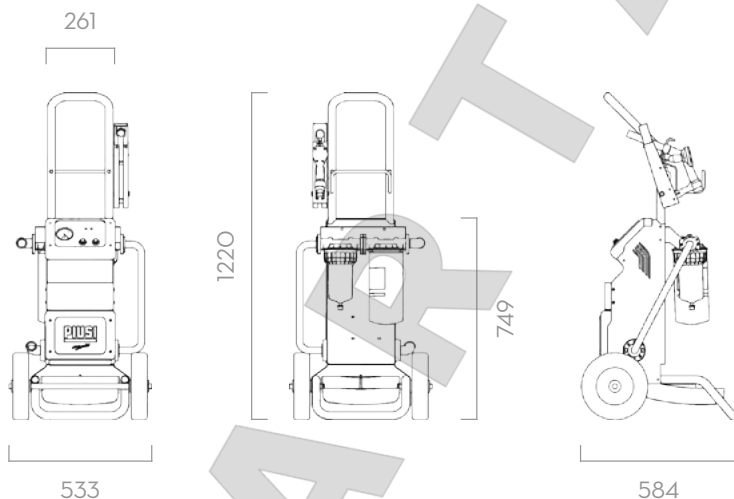
**CHART**

**IN THE BOX**

- FILTROLL UNIT
- SUCTION HOSE
- DELIVERY HOSE
- INSTRUCTION MANUAL

**DETAILS**

**TWO STEP FILTRATION**

**STURDY STRUCTURE**

**LARGE DIAMETER WHEELS**
**DIMENSIONS**


Dimensions expressed in millimeters

**MATERIALS**

- BODY: CAST IRON
- ROTOR: SINTHERED STEEL
- VAINS: TECHNOPOLYMER
- SHAFT: STEEL
- FILTER: ABSORBENT FILTERING PAPER

**TECHNICAL DATA**

CODE	DESCRIPTION	FLUIDS TYPE	FLOW RATE		VOLTAGE			PUMP	HOSE LENGHT	
			L/MIN	GPM	AC V./HZ DC VOLT	POWER WATT	AMP. MAX.		TYPE	DELIVERY M/FT
FO0506010	FILTROLL OIL/DIESEL	<b>D</b> <b>O</b>	25	7	230/50	750	4,6	VISCOMAT 70	3 / 9,8	3 / 9,8

**FILTER CARTRIDGE**

CODE	DESCRIPTION	MICRO	EFFICIENCY
		μ m	
FO061102A	WATER CAPTOR CART. 150 L/MIN	30	200
FO0611030	CLEAR CAPTOR CARTRIDGE	5	2

**FILTER HEAD**

F1693400A	FILTER HEAD 70/10OLT W/MANOM	-	-
F15744000	CLEAR CAPTOR FILTER HEAD	-	-