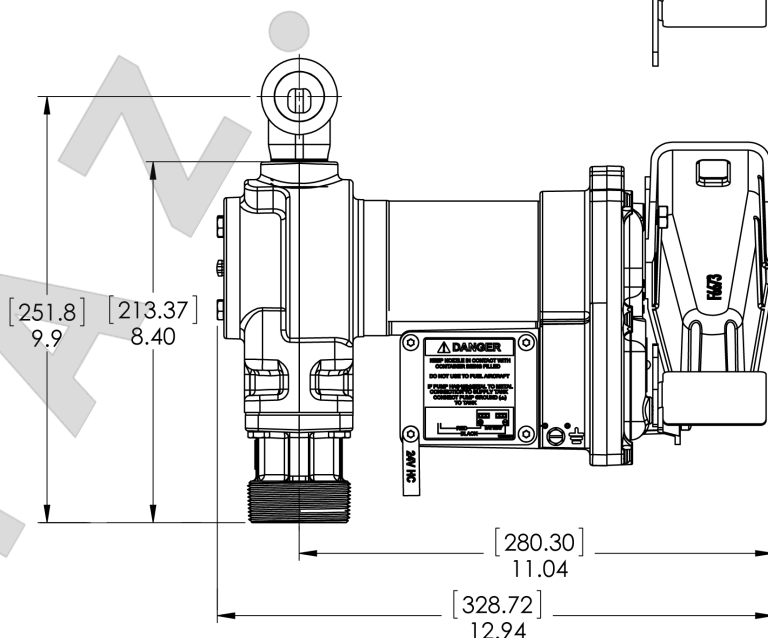
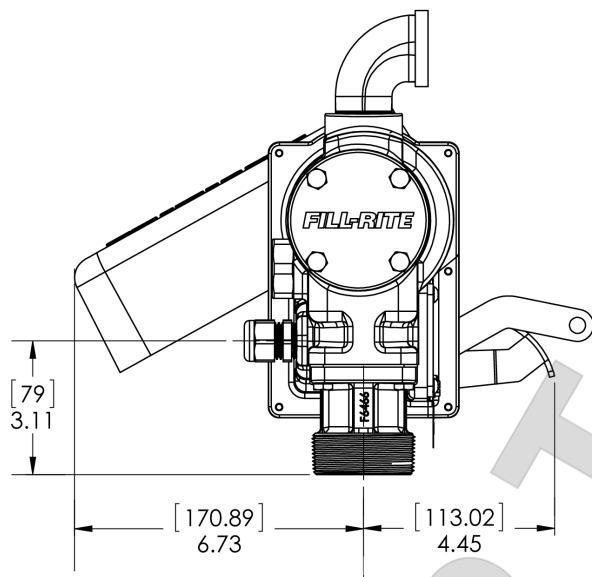
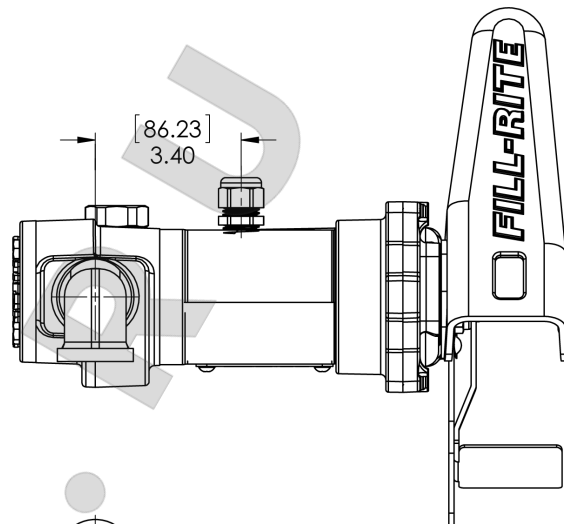


# FILL-RITE® FR4400G\* Technical Specifications

The Most Trusted Name in Pumps and Meters



FR4400G Series



Pump	
Type- rotary, diaphragm, gear, vane	Rotary Vane
GPM in supplied configuration	Up to 19
GPM open flow - no hose or nozzle	Up to 20
By-pass pressure rating (psi) - Max	16 psi
Dry vac (in Hg)	5
Head- Max (Ft.)	36.96
Anti-siphon valve	None
Inlet - Size / Thread	1" NPT   1" BSPT*
Outlet - Size / Thread	1" NPT   1" BSPP*
Mount	2" Bung NPT   2" BSPT*
Material -pump housing	Cast Iron
Material- wetted material	BUNA-N
Rotor material	Powdered Iron
Rotor vane material	Sintered Bronze
Compatible fluids	Diesel, gasoline, Biodiesel up to B20, E15, Kerosene
Strainer Mesh Size	20 x 20
Warranty	2 Years

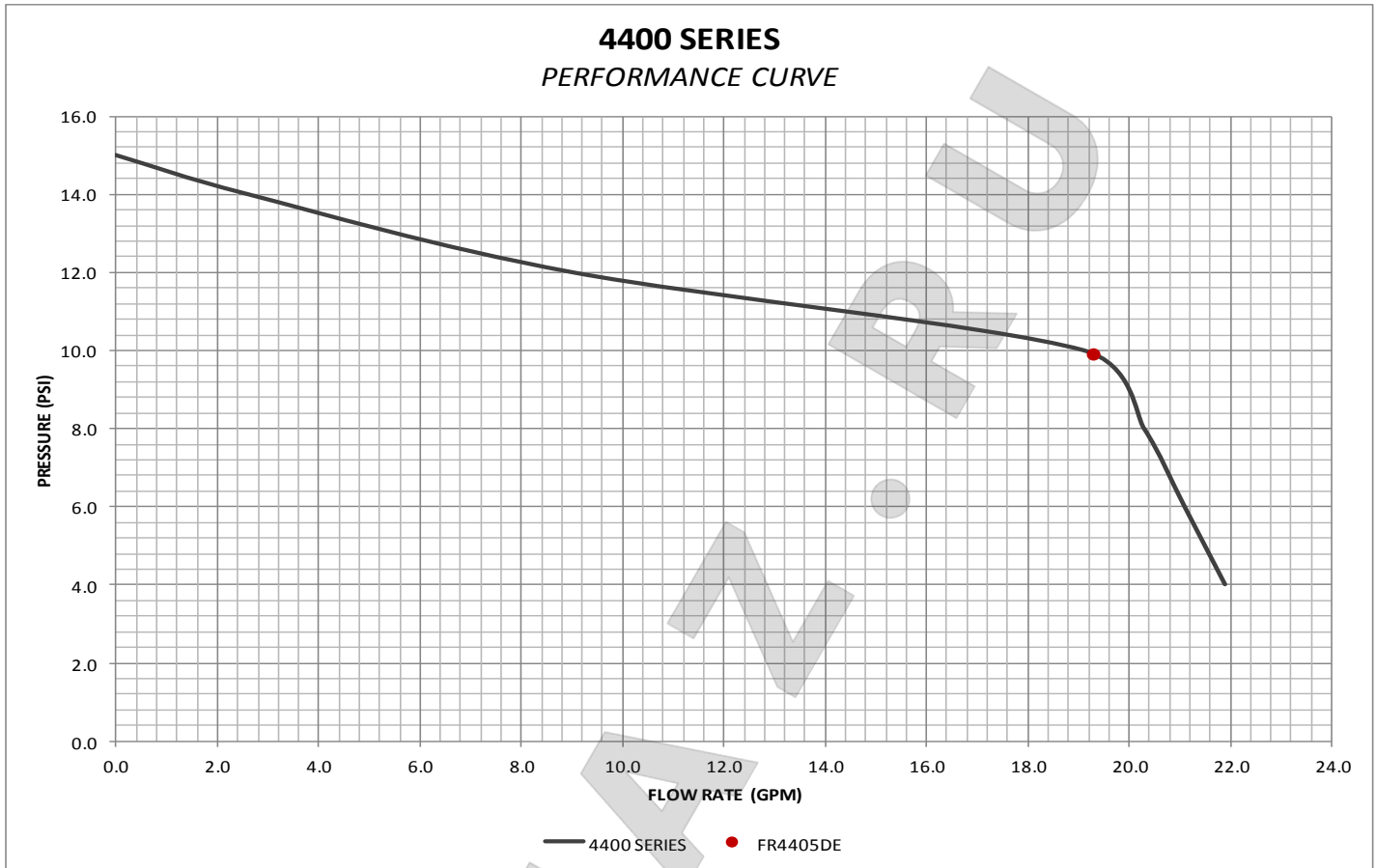
Motor	
Power - AC 115, 230, 115/230 VAC	N/A
HZ 50, 60, 50/60	N/A
Power - DC 12, 24, 12/24	24
HP (horsepower) rating	1/4 HP
Power cord length (feet)	18'
Power cord gauge (AWG)	12 AWG
DC Power cord connectors	NONE
Amps (FLA)	13
RPM	2600
Duty cycle	30 min.
Thermal protection switch	Yes
Circuit protection fuse	NONE
Certification	ATEX, CE**, ANZEx

\*4400G Series pumps models:  
FR4410G, FR4405GE, FR4406G,  
FR4406GE

\*\* "E" models are CE Certified for use in Europe.  
\*\*\* Specification will vary with specific model chosen.

**Tuthill**  
Tuthill Corporation  
8825 Aviation Drive  
Fort Wayne, IN 46809  
(800) 634-2695  
[www.tuthill.com](http://www.tuthill.com)

## Performance Data



## Service Kit Information

Kit	Description	Parts
KIT120BD	Biodiesel Kit	O-ring seal, bypass valve poppet, bypass cap seal, inlet seal
KIT120RG	Rotor & Vane Kit	Rotor cover, rotor, vanes, rotor key, O-ring seal, attaching hardware
KIT120JC	Junction Cover Kit	Junction cover, seal
KIT120SL	Seal Kit	O-ring, shaft seals, retainer clip
KIT120BV	By-Pass Service Kit	Screen, bypass valve, valve spring, bypass cap. O-ring seal
KIT120NB	Nozzle Boot Kit	Nozzle boot, attaching hardware
KIT120BG	Inlet Flange Kit	Inlet flange (bung), attaching hardware, inlet seal, screen
KIT120SG	Inlet Gasket and Screen	Gasket for inlet (bung) and screen
KIT120SW	Switch Lever Kit	Switch lever, mounting hardware

Accessories	
Suction pipe material	N/A
Suction pipe length- extended/not extended	None
Nozzle- size	N/A***
Nozzle- manual / automatic	N/A***
Hose liquid materials compatibility	Oil, Gasoline, Diesel***
Hose diameter	3/4"***
Hose length	N/A***
Hose static wire (Y/N)	N/A***

Logistics	
UPC	0-89404-17037-3***
Length	15.5"
Width	10"
Height	6.5"

**\*4400G Series pumps models:**  
FR4410G, FR4405GE, FR4406G,  
FR4406GE

\*\* "E" models are CE Certified for use in Europe.

\*\*\* Specification will vary with specific model chosen.

**Tuthill**  
Tuthill Corporation  
8825 Aviation Drive  
Fort Wayne, IN 46809  
(800) 634-2695  
[www.tuthill.com](http://www.tuthill.com)