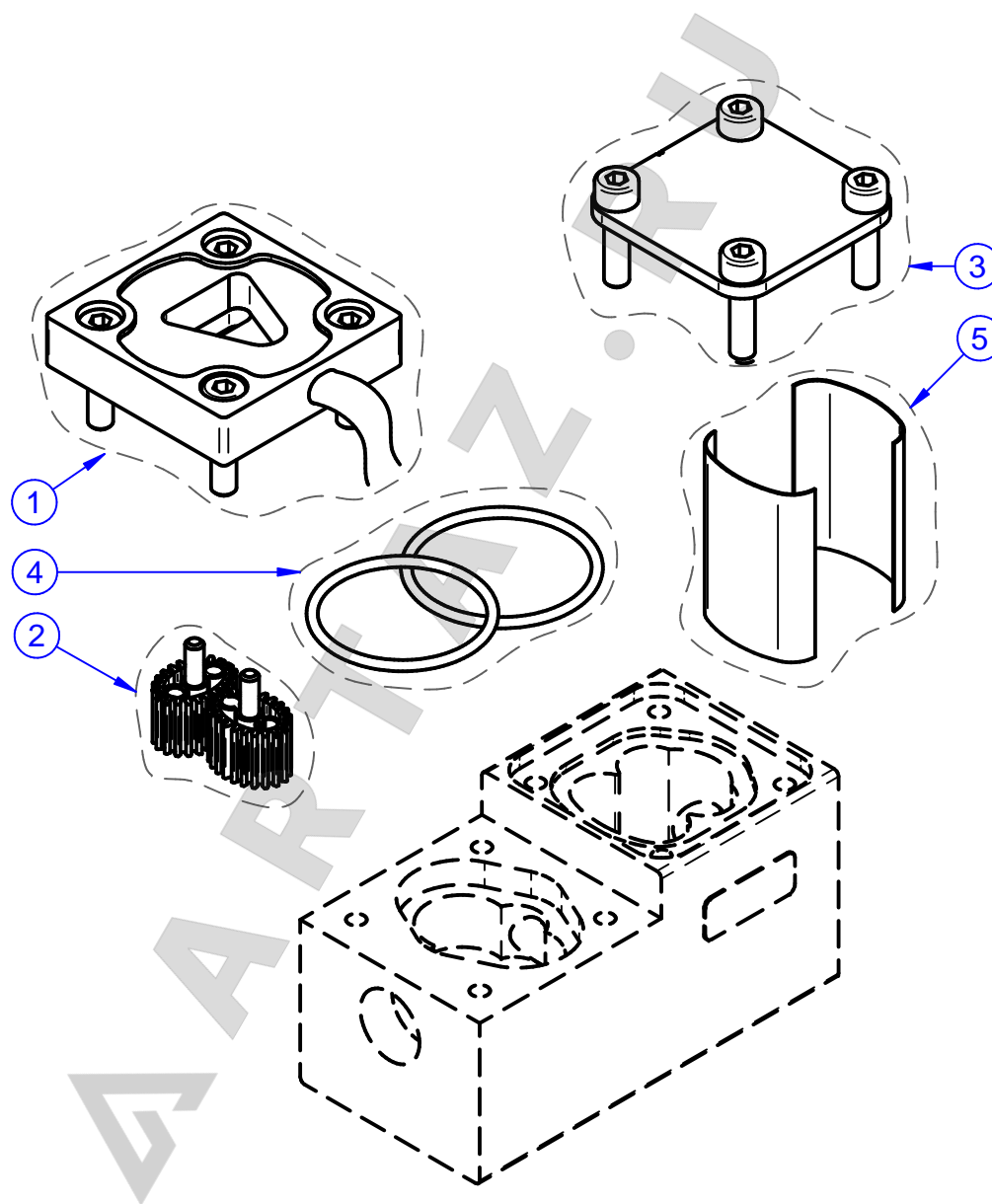


**DESCRIPTION:**  
**K200 PULSER METER**

**CODE:**  
**LR\_C00043**

**LAST RELEASE:**  
**AUGUST 2019**



Some components may vary in shape and color or not be present. Always follow codes and quantity shown in list. ○ fixed components □ variable components - - - only reference