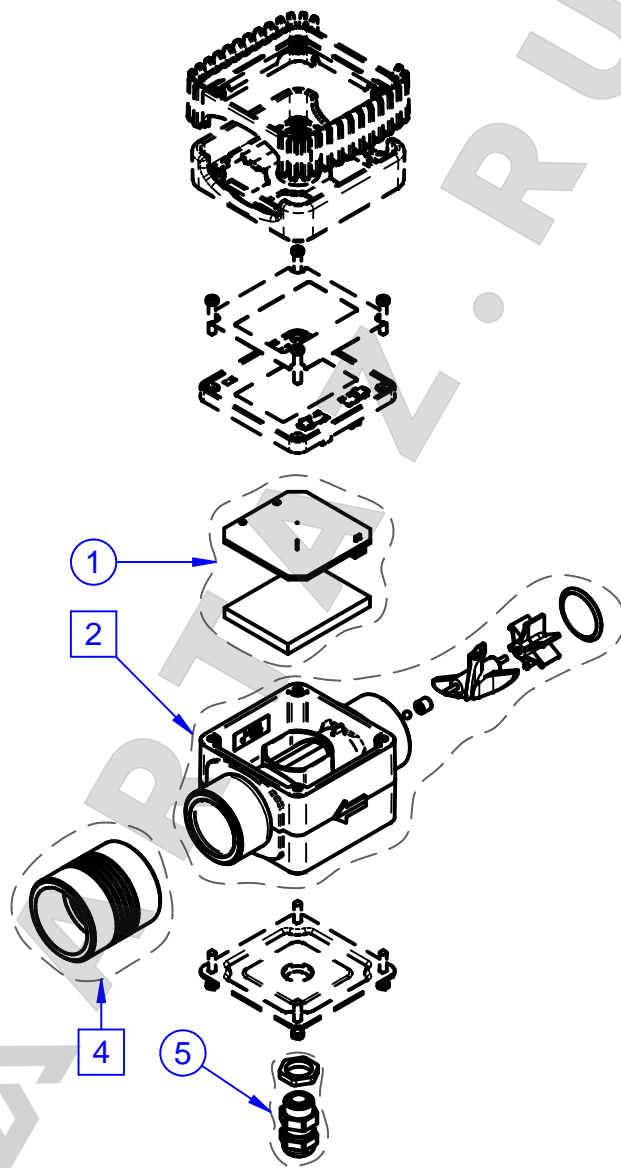


DESCRIPTION:
K24 PULSER METER

CODE:
LR_C00052

LAST RELEASE:
JULY 2019



Some components may vary in shape and color or not be present. Always follow codes and quantity shown in list. ○ fixed components □ variable components - - - only reference