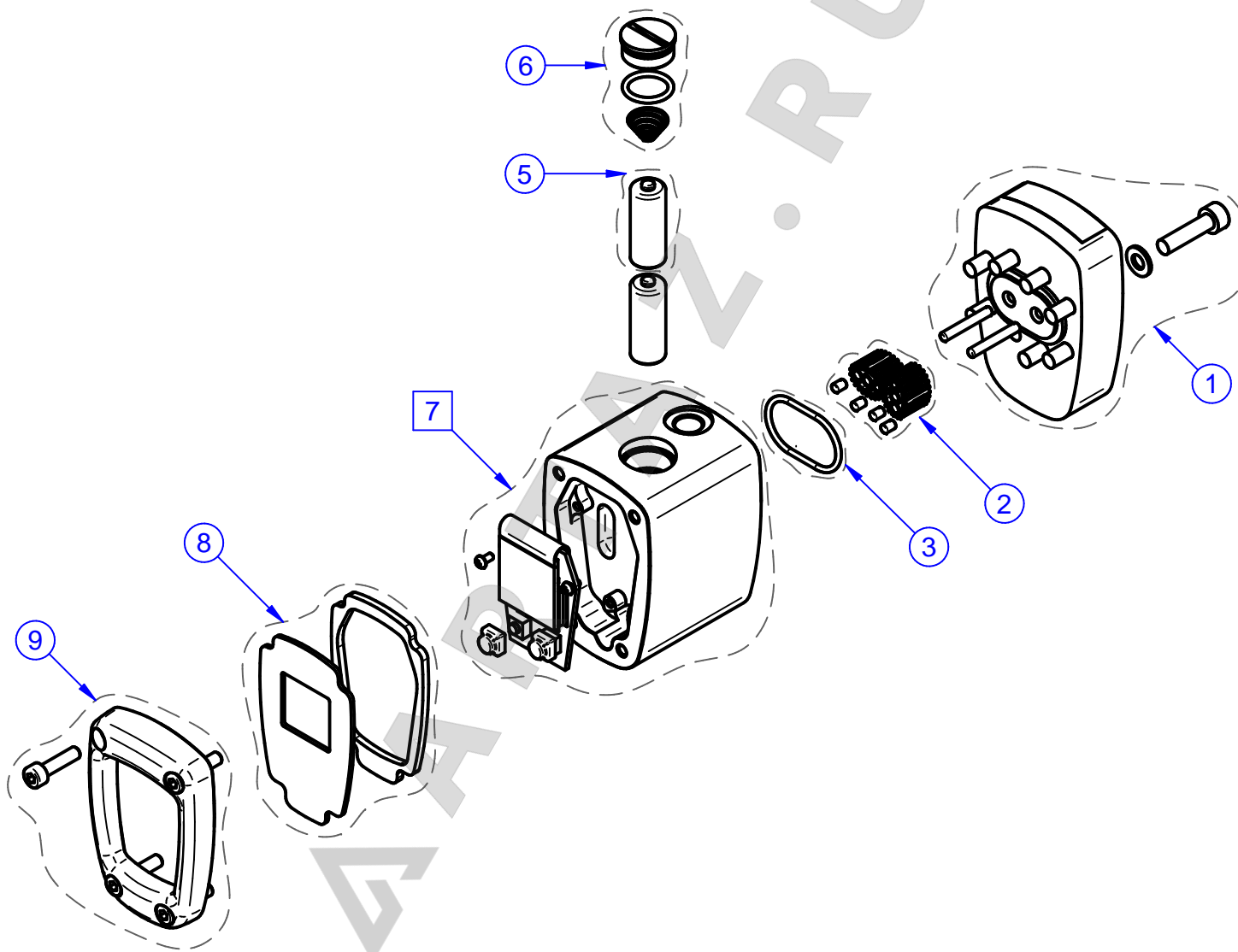


DESCRIPTION:
IN LINE GREASE/OIL METER K200

CODE:
LR_C00008

LAST RELEASE:
JULY 2019



Some components may vary in shape and color or not be present. Always follow codes and quantity shown in list. ○ fixed components □ variable components - - - only reference