



# HI TECH



DIESEL



## ACCESSORIES for all version

- add-on Filter Kit
- 115V-60Hz motor on request
- pedestal
- nozzle
- 4 digits meters on request



FEATURES	60 liters	80 liters	100 liters
Voltage AC [V, Hz]	230, 50	230, 50	230, 50
Current max [A]	2.4	3.5	4.1
Power [W]	550	800	950
Protection	IP 55	IP 55	IP 55
On/Off Switch	Yes	Yes	Yes
Cable [m]	2	2	2
Duty cycle [min]	S2 30	S2 30	S2 30
Nominal Flow Rate [l/min / GPM]	60 / 15,85	80 / 21,13	100 / 26,42
Max Pressure [bar / psi]	2 / 29	2.5 / 36	2.5 / 36
Dry Suction height [m]:	4	2	2
Internal By-Pass	Yes	Yes	Yes
Inlet [BSP/G]	1" F	1" F	1" F
Outlet [BSP/G]	1" F	1" F	1" F
Pump body material	Cast Iron	Cast Iron	Cast Iron
Impeller material	Sintered Steel	Sintered Steel	Sintered Steel
Vanes material	POM	POM	POM
Ring material	HNBR	HNBR	HNBR
Gasket material	NBR	NBR	NBR
Meter digits:	3	3	3
Meter type:	Oscillating disk	Oscillating disk	Oscillating disk
Meter precision [%]:	±1	±1	±1
Repeatability [%]:	0,2	0,2	0,2
Discharge hose [material,Ø,m,ittings]	rubber, 20, 4, 1"x1"	rubber, 25, 4, 1"x1"	rubber, 25, 4, 1"x1"
Nozzle	automatic / manual	automatic / manual	automatic / manual
Internal filter	Yes	Yes	Yes
Motor support	Yes	Yes	Yes
Min/Max Temperature [°C]	-20/+50	-20/+50	-20/+50
Fluid viscosity[cSt]	2 ÷ 5	2 ÷ 5	2 ÷ 5
Allowed fluids	diesel	diesel	diesel
Forbidden fluids	gas, alcohol, water, gasoline, kerosene		
Loudness at less 1 meter [dB]	< 70	85	85
Net weight [kg]	17	24	24
Gross weight [kg]	17.5	24.5	24.5



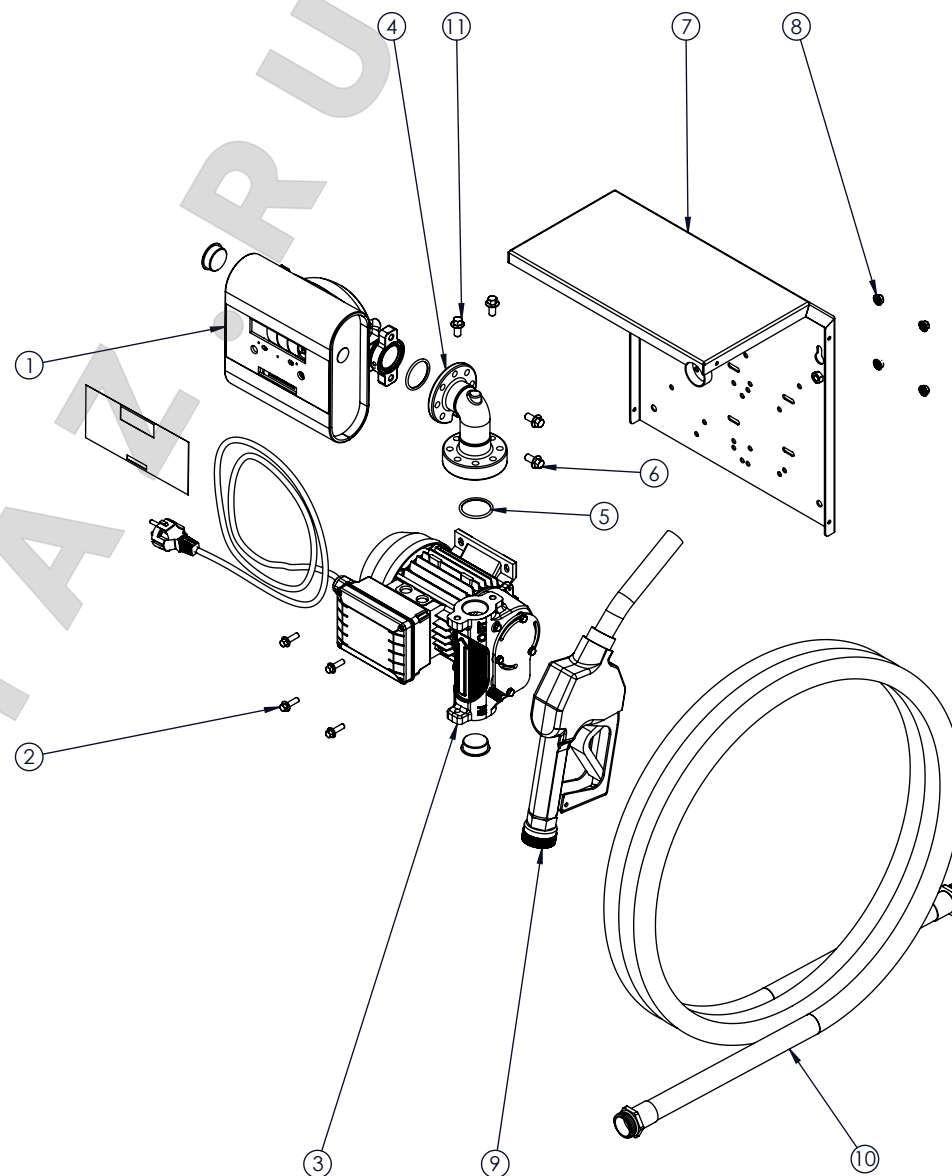


category

dispenser diesel

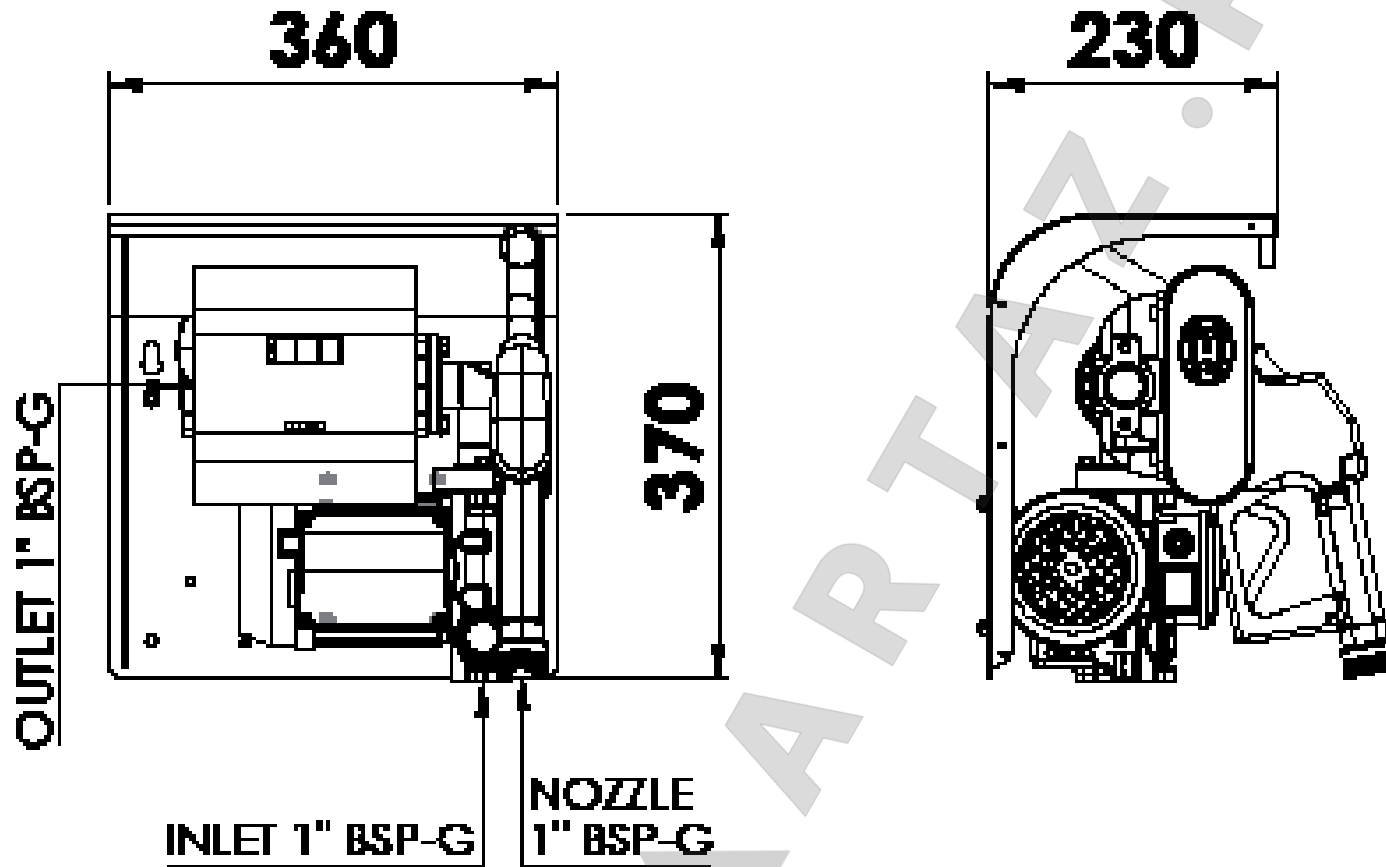
# HI TECH

	CODE	DESCRIPTION	QTY
1	TF3S1	Meter	1
2	81282325100	Screw FR M6x20	4
3	-	Electric pump	1
4	HT008	Telephone 1"	1
5	OR011	Black O-Ring Ø37x3	2
6	VT005	Screw FR M8x16	2
7	HT0168	Metal panel	1
8	71000112	Flanged nut M6	4
9	-	nozzle	1
10	-	delivery hose	1
11	VT020	screw m8x30	2





# HI TECH

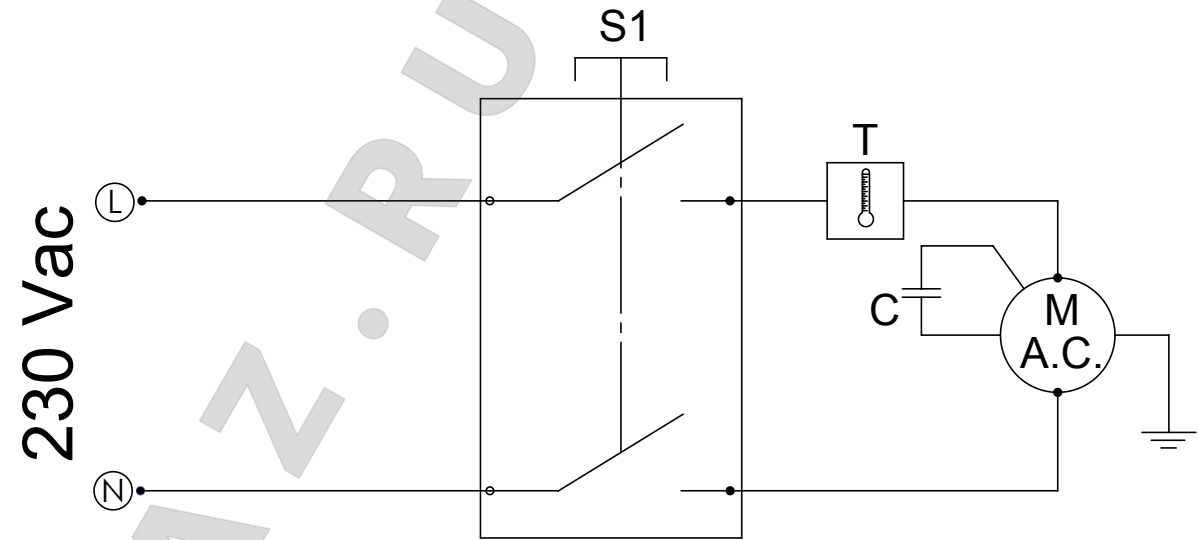


tutte le dimensioni espresse in mm - all dimensions are in mm





# HI TECH 60-100



schema elettrico

wiring diagram


schaltpläne


schémas électriques


esquemas eléctricos


esquemas elétricos


электрические схемы


 S:1 interruttore ON-OFF  
M: motore  
T: protezione termica  
C: condensatore


 S1: interruptor ON-OFF  
M: motor  
T: protección térmica  
C: condensador

 S1: ON-OFF switch  
M: Motor  
T: Circuit Breaker  
C: Capacitor

 S1: Interruptor ON-OFF  
M: Motor  
T: Proteção Térmica  
C: condensador

 S1: ON - OFF Schalter  
M: Motor  
T: Temperaturschutz  
C: Kondensator

 S1: переключатель ВКЛ-ВЫКЛ  
M: Двигатель  
T: Термореле  
C: Конденсатор

 S1: interrupteur ON-OFF  
M: moteur  
T: protection Thermique  
C: condensateur