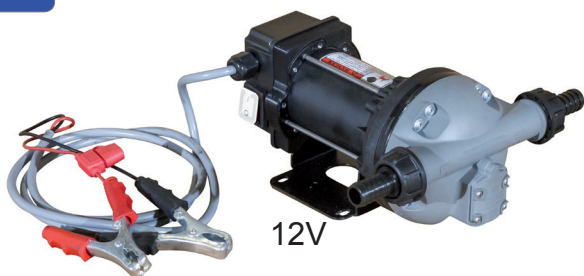




# X-BLUE



WATER



12V



230V - 115V

FEATURES	12V DC	230V AC 50Hz	230V AC 60Hz	115V AC
Voltage AC [V, Hz]:	12	230, 50	230, 60	115,60
Max Current [A]:	20	1,95	1,95	3,5
Potenza [W]:	200	350	350	350
Engine protection	IP55	IP55	IP55	IP55
Switch On/Off	Yes	Yes	Yes	Yes
Cable [m]:	4	2	3	2
Ciclo di lavoro [min]:	S2 20	S2 20	S2 20	S2 20
Max Flow rate [LPM / GPM]:	36 / 9,2	34 / 9	34 / 9	34 / 9
Max pression [bar]:	1,5	1,5	1,5	1,5
Dry suction [m]:	2	2	2	2
Internal By-Pass Valve:	Yes	Yes	Yes	Yes
Internal filter [µm]:	No	No	No	No
Engine Holder:	Yes	Yes	Yes	Yes
Inlet/Outlet [BSP]:	1" M / 1" M	1" M / 1" M	1" M / 1" M	1" M / 1" M
Seals materials:	Viton	Viton	Viton	Viton
Temperature min/max [°C]:	-5 / +40	-5 / +40	-5 / +40	-5 / +40
Allowed fluids:	AdBlue, AUS 32, Water			
Forbidden fluids:	Gas, Alcool, Gasoline, Diesel, Kerosene			
Noise at 1 m [dB]:	70	70	70	70
Net Weight [Kg]:	5	6	6	6
Gross weight [Kg]:	6	7	7	7

**ACCESSORIES:**

On request 4 m cable

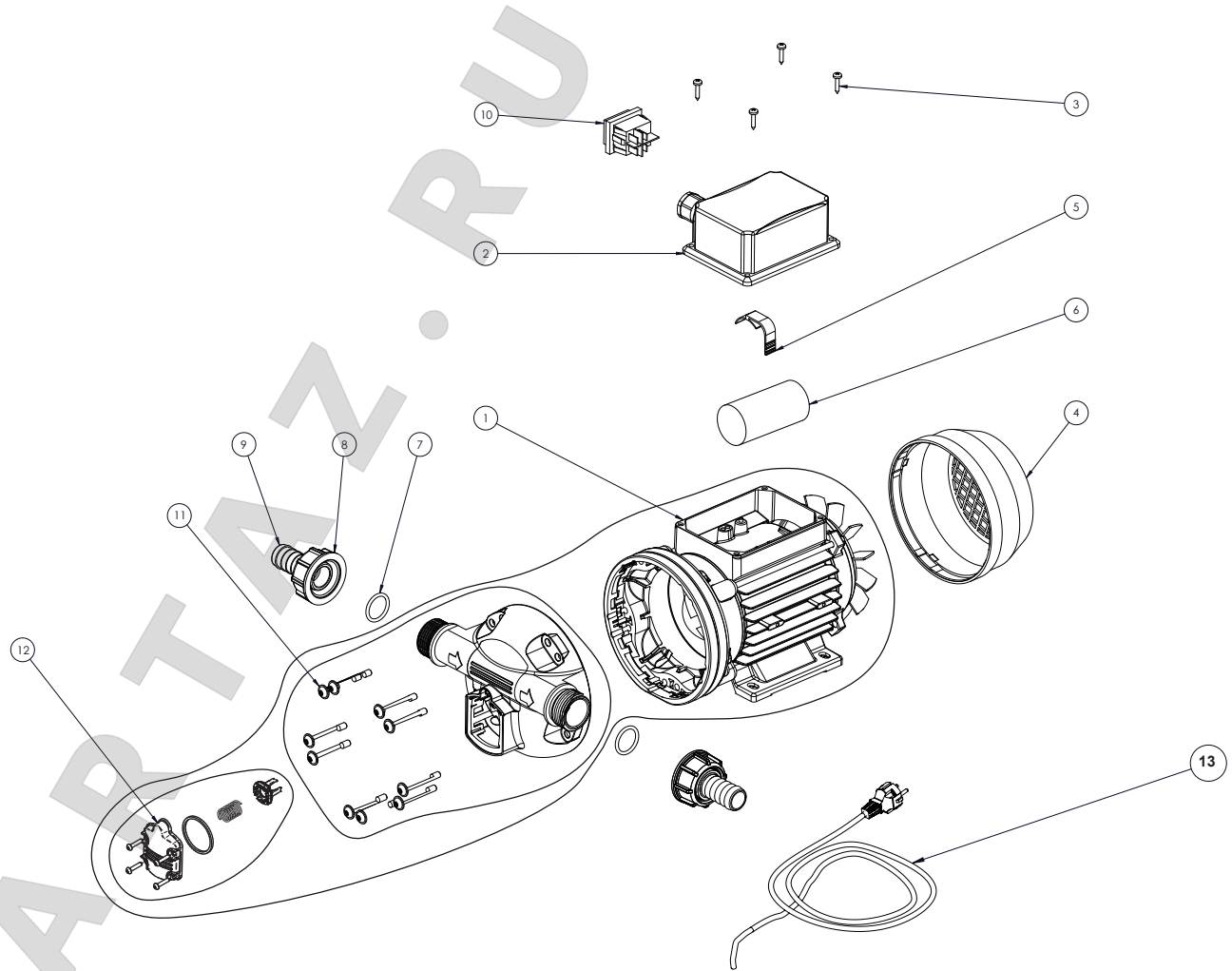


category

urea electric pump

# X-BLUE 230V - 115V

	CODE	DESCRIPTION	Q.TY
1	AB042	diaphragm pump 230V 50Hz	1
	AB043	diaphragm pump 230V 60Hz	
	AB044	diaphragm pump 115V 60Hz	
2	PA016	Capacitor box	1
3	VT004	screw TC cross Ø3,5x16 UNI 6954	4
4	140250500000	Fan cover MEC63	1
5	140250200000	Condenser Hold Clips	1
6	190060000000	Condenser 12.5 µF 450 V	1
7	OR041	o-ring ø20	2
8	RA025	walker 1" for fitting ø20	2
9	RA026	fitting ø20 1"	2
10	EL013	on/off switch 22X30 + cap	1
11	KITTESTBYXB	repair kit head + by pass xblue	1
12	KITBYXB	by pass pump kit XBLUE	1
13	190200000000	cable + schuko plug 230V	1



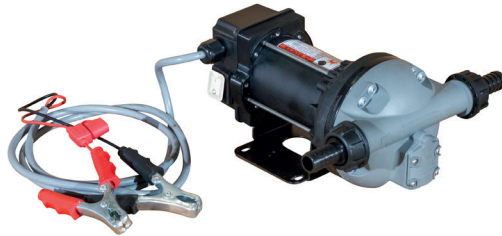
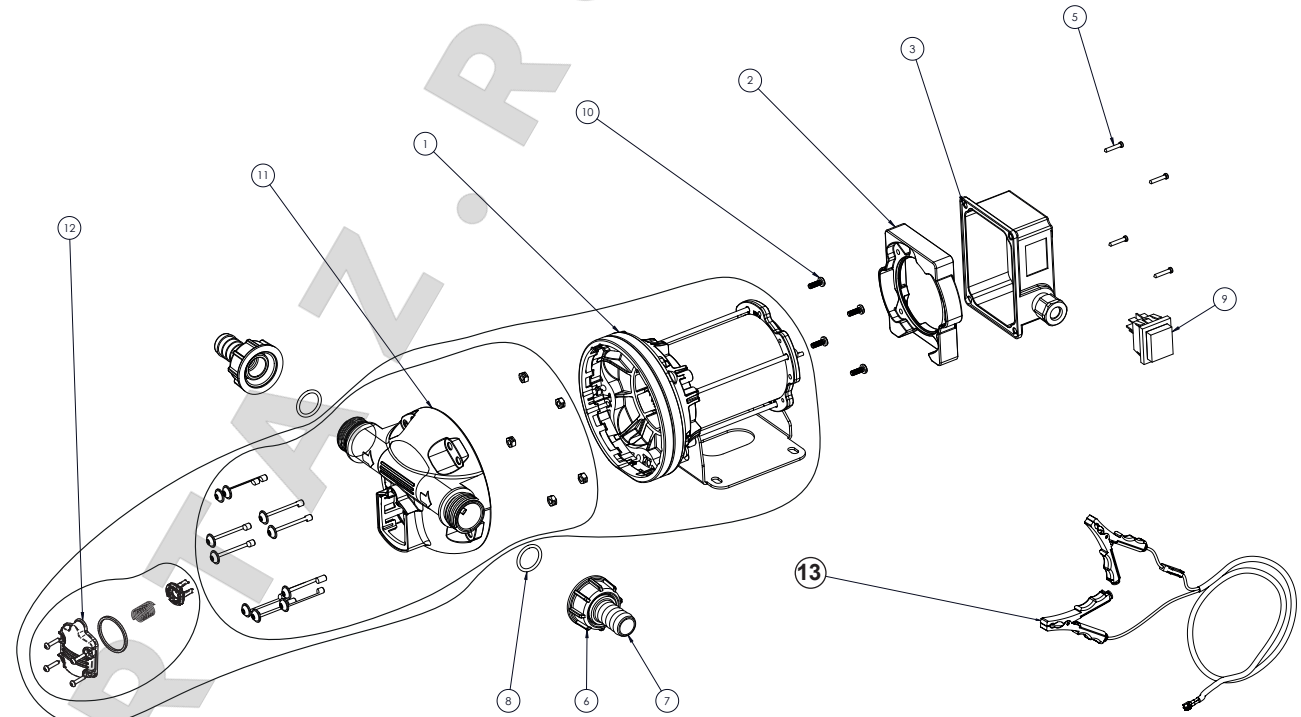


category

urea electric pump

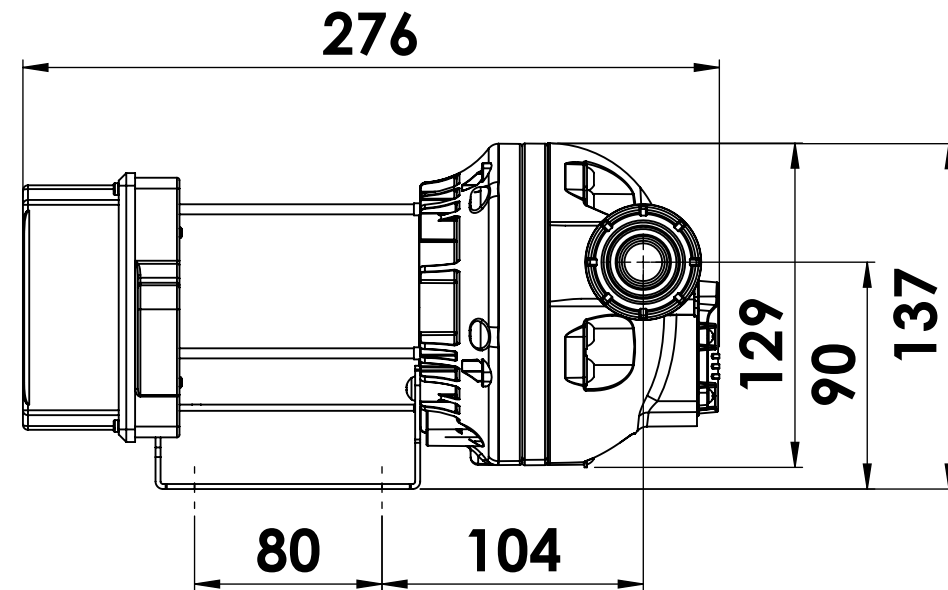
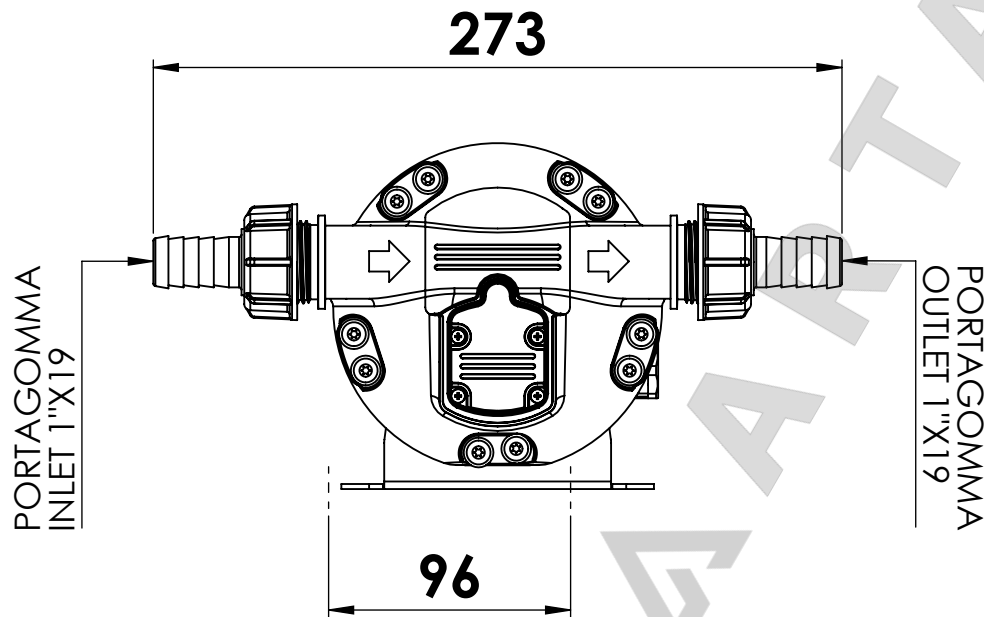
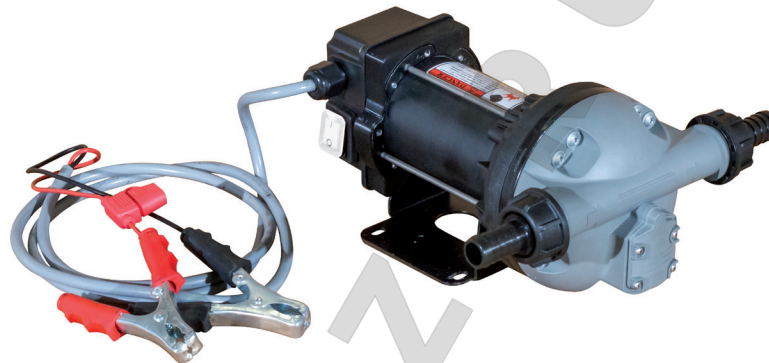
# X-BLUE 12V

	CODE	DESCRIPTION	Q.TY
1	AB041	diaphragm pump	1
2	PA017	flange electric box	1
3	PA016	Capacitor box	1
4	EL013	on/off switch 22X30 + cap	1
5	VT004	screw TC cross Ø3,5x16 UNI 6954	4
6	RA025	walker 1" for fitting ø20	2
7	RA026	fitting ø20 1"	2
8	OR041	o-ring ø20	2
9	EL013	on/off switch 22X30 + cap	1
10	VT047	screw TC cross M4x10 UNI 8112	4
11	KITTESTBYXB	repair kit head + by pass xblue	1
12	KITBYXB	by pass pump kit XBLUE	1
13	91505270000	Clamp 20x32	1





# X-BLUE 12V

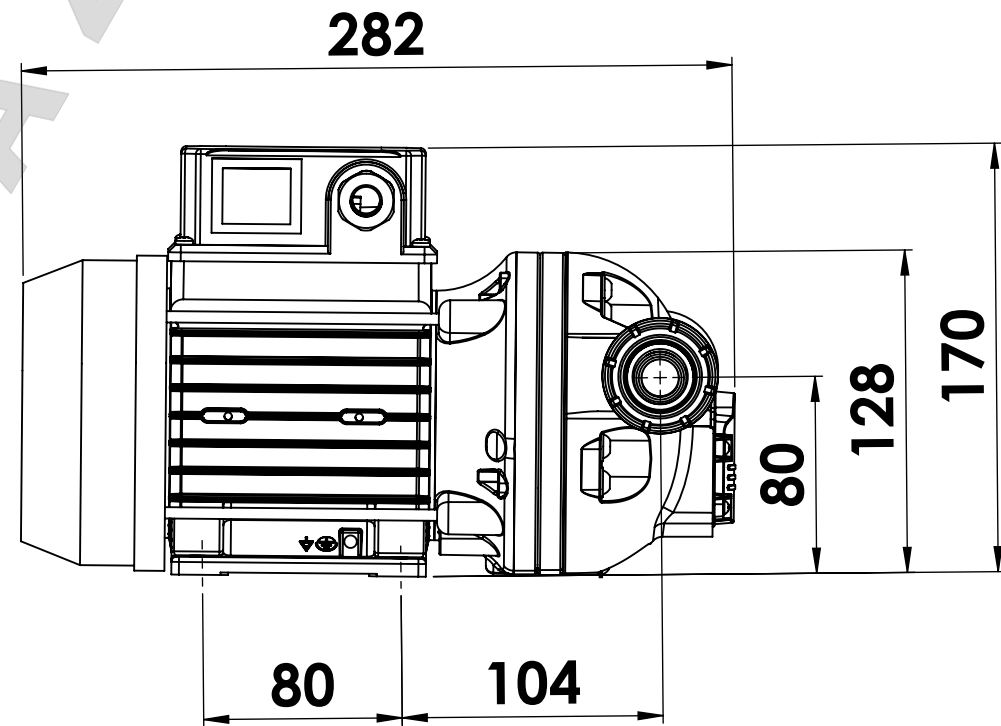
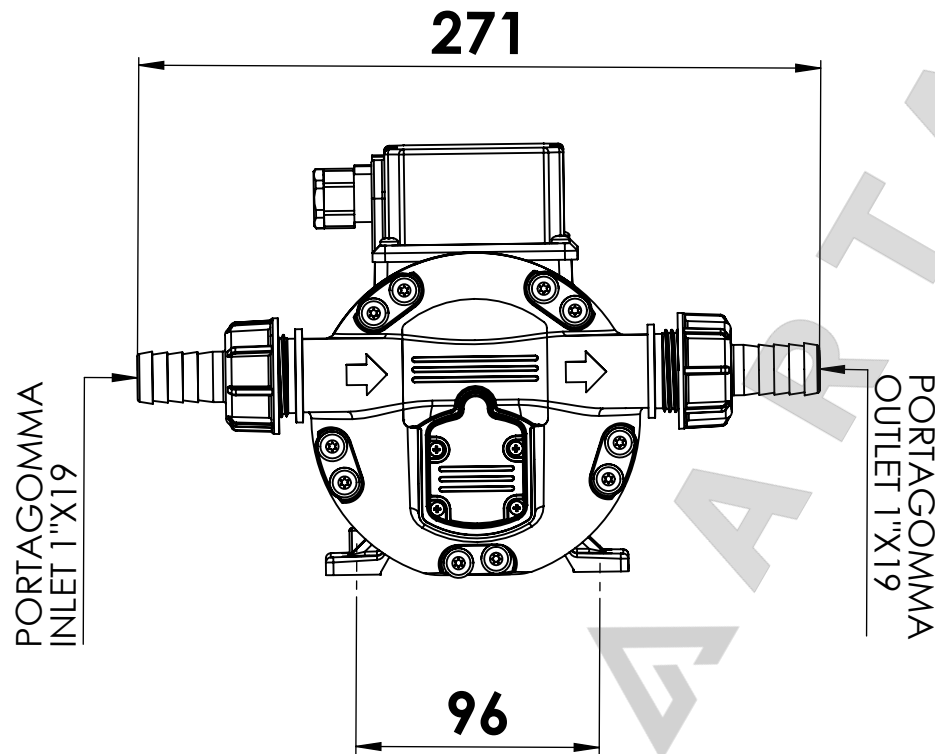


tutte le dimensioni espresse in mm - all dimensions are in mm





# X-BLUE 230V

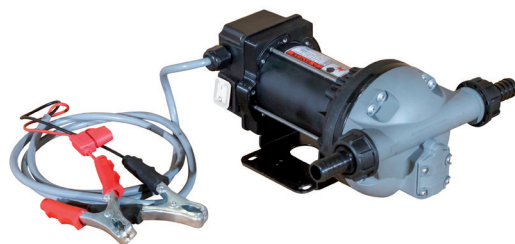


tutte le dimensioni espresse in mm - all dimensions are in mm





# X-BLUE 12V



schema elettrico

wiring diagram

schaltpläne

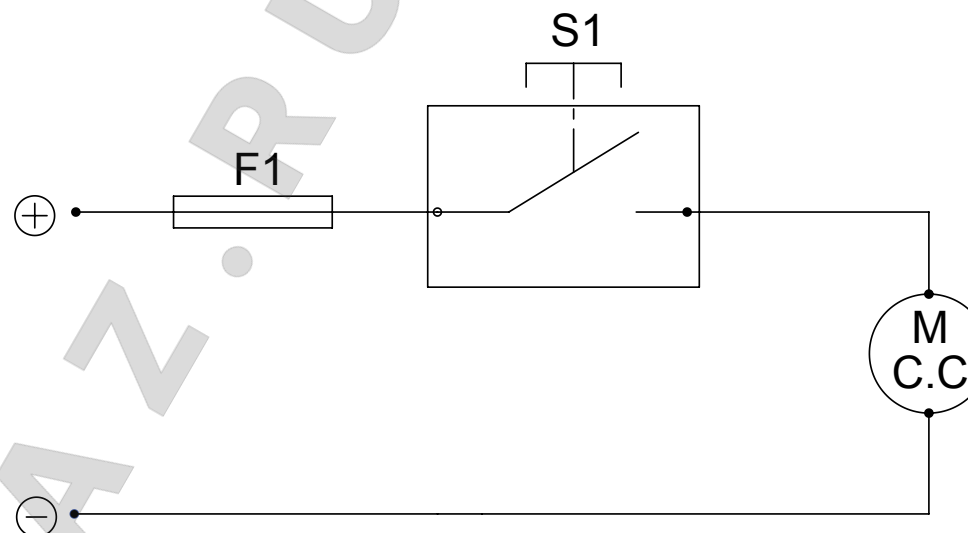
schémas électriques

esquemas eléctricos

esquemas elétricos

электрические схемы

12 / 24 VCC



S1 interruttore ON-OFF  
M: motore  
F1: fusibile



S1: interruptor ON-OFF  
M: motor  
F1: fusible



S1: ON-OFF switch  
F1: Fuse  
M: Motor



S1: Interruptor ON-OFF  
M: Motor  
F1: Fusível



S1: ON - OFF Schalter  
M: Motor  
T: Temperaturschutz



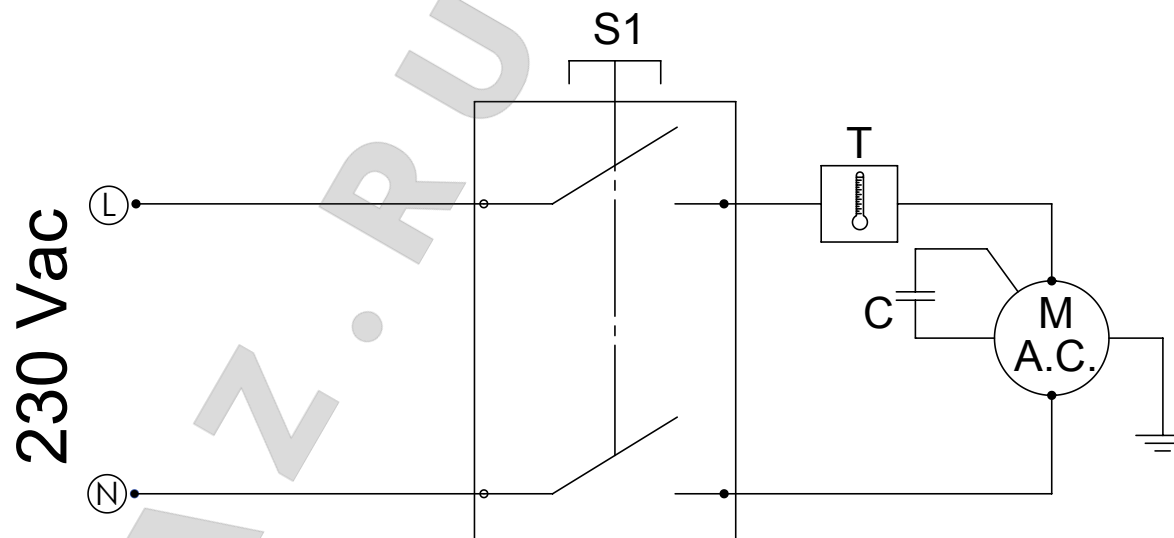
S1: переключатель ВКЛ-ВЫКЛ  
M: Двигатель  
F1: Плавкий предохранитель



S1: interrupteur ON-OFF  
M: moteur  
F1: fusible



# X-BLUE 230-115V



schema elettrico

wiring diagram

schaltpläne

schémas électriques

esquemas eléctricos

esquemas elétricos

электрические схемы

S:1 interruttore ON-OFF  
M: motore  
T: protezione termica  
C: condensatore

S1: ON-OFF switch  
M: Motor  
T: Circuit Breaker  
C: Capacitor

S1: ON - OFF Schalter  
M: Motor  
T: Temperaturschutz  
C: Kondensator

S1: interrupteur ON-OFF  
M: moteur  
T: protection Thermique  
C: condensateur

S1: interruptor ON-OFF  
M: motor  
T: protección térmica  
C: condensador

S1: Interruptor ON-OFF  
M: Motor  
T: Proteção Térmica  
C: condensador

S1: переключатель ВКЛ-ВЫКЛ  
M: Двигатель  
T: Термореле  
C: Конденсатор



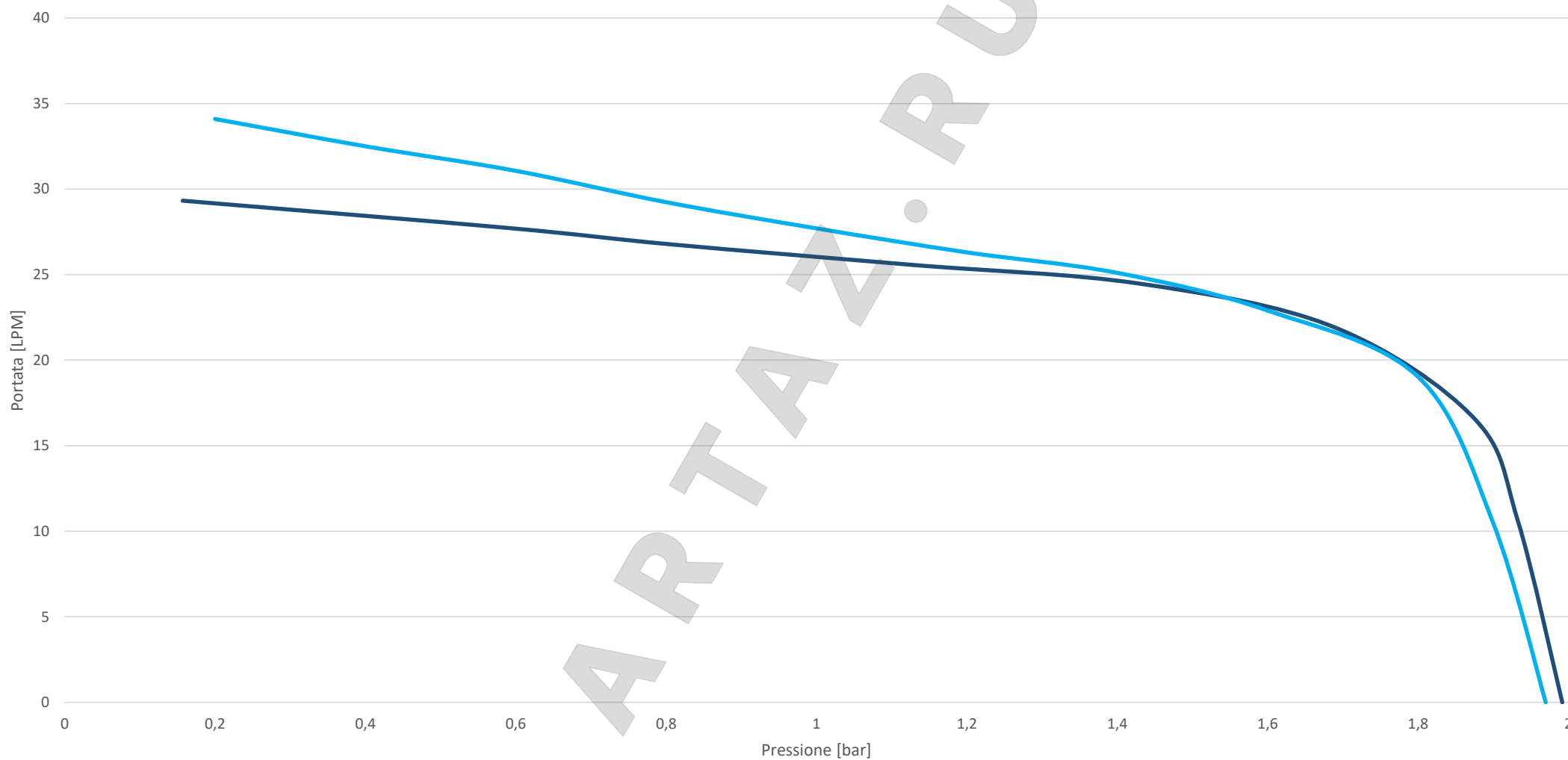
documento / document

prodotto / product

MADE IN ITALY

curva di portata / flow rate curve

# X-BLUE Pumps



— X-BLUE 230V 50/60Hz — X-BLUE 12V



Adam Pumps spa  
via della Resistenza 46/48  
41011 Campogalliano (MO) - ITALIA

tel. +39 059 528 128  
fax +39 059 528 437  
[info@adampumps.com](mailto:info@adampumps.com)