



E 12/24 - E220



LIGHT OILS



DIESEL

**E 12/24****E 220**

FEATURES	E 12/24	E 220
Power Supply [V, Hz]:	12 / 24 DC	230 AC, 50
Max Current (*) [A]	16 / 26	3.7
Max Current (**) [A]	18 / 28.5	4
Power (*) [W]	192 / 624	850
Power (**) [W]	216 / 684	920
Motor Protection:	IP55	IP55
On/Off Switch:	Yes	Yes
Cable [m]	2	2
Duty cycle [min]	S2 30 (12V) / S2 10 (24V)	S2 30
Nominal Flow Rate [l/min - GPM]:	30 / 40 - 7,9 / 10,6	30 - 7,9
Max Pressure [bar / psi]:	3.5 / 51	3.5 / 51
Dry Suction height [m]:	2	2
Internal By-Pass:	Yes	Yes
Inlet [BSP/G]:	3/4" F	3/4" F
Outlet [BSP/G]:	3/4" F	3/4" F
Pump body material:	aluminium	aluminium
Drum material:	POM - C	POM - C
Ring material:	SNBR	NBR
Gasket material:	NBR	NBR
Internal filter:	No	No
Motor support:	Yes	Yes
Min/max Temperature [°C]:	-20/+50	-20/+50
Max fluid viscosity [cSt] (a 40 °C):	2 ÷ 200	2 ÷ 700
Compatible fluids:	diesel, oil	diesel, oil
Not allowed fluids:	gas, alcool, water, gasoline, kerosene	gas, alcool, water, gasoline, kerosene
Loudness at less 1 meter [dB]:	75	75
Net Weight [Kg]:	7.5	9
Gross Weight [Kg]:	8.3	9.8

 (*) diesel
 (**) oil

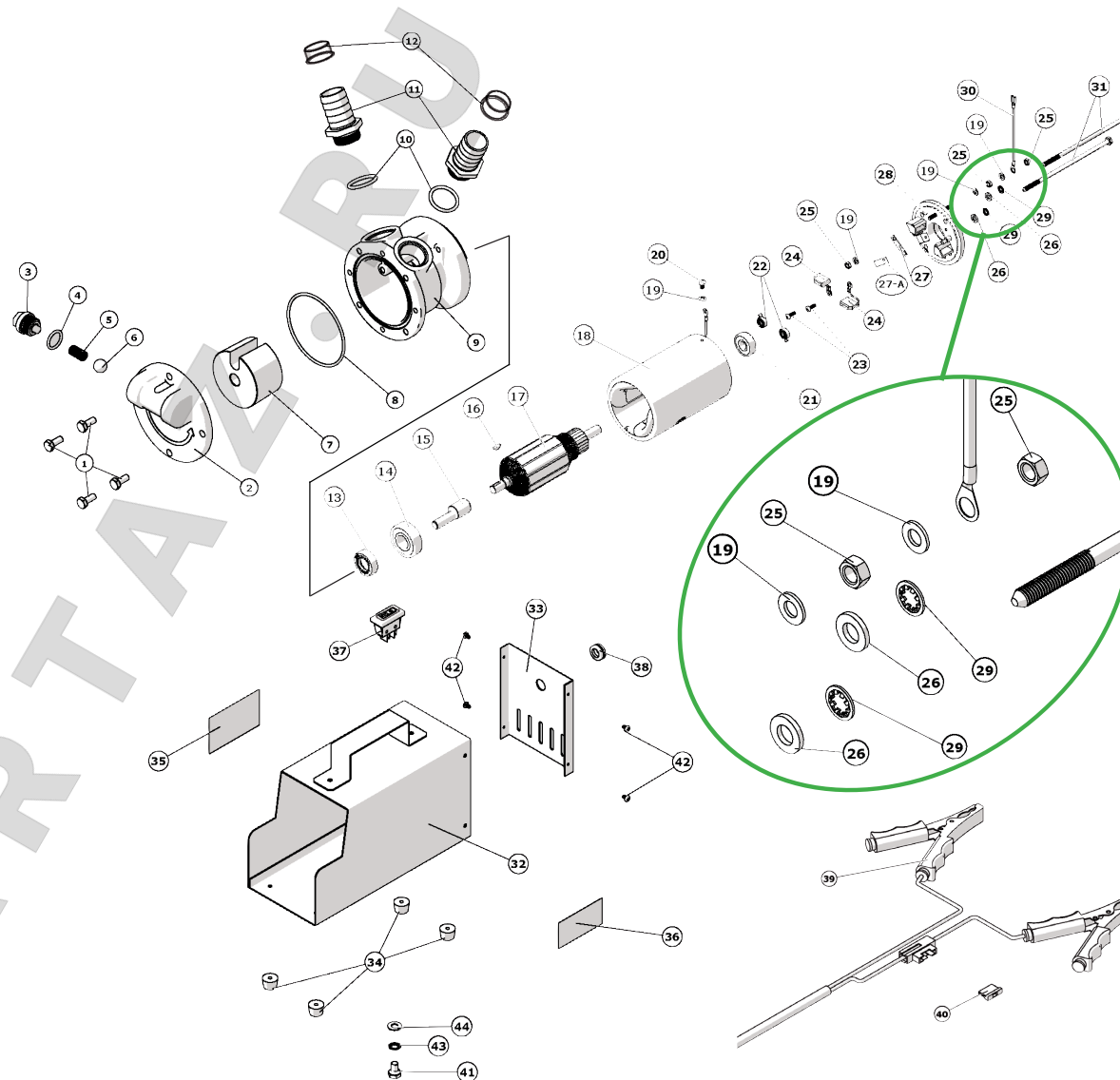


category

electric pump diesel

F 12-24V

CODE	DESCRIPTION	QTY	CODE	DESCRIPTION	QTY		
1	80232320100	screw M6 x 1	4	23	13101012	screw ø4.2x13	2
2	6151000000x	bypass cover	1	24	190150010000	brushes	2
3	60330000000	bypass cap	1	25	81621810000	nut m5	4
4	11010090400	OR 119 NBR	1	26	83102310000	flat washer ø6	2
5	33421124173	bypass spring	1	27	190170010000	brass plate 2 holes	1
6	92020300000	stainless steel ball	1	27-a	190170100000	brass plate 1 hole	1
7	63000500000	conical drum	1	28	141500000000	plastic brush holder	1
8	11010500400	OR 3281 NBR	1	29	83702300000	washer ø6	2
9	62501500000	pump body	1	30	190000250000	eyelet-push rod jumper	1
10	11010264600	OR 25 x 3 NBR	2	31	6100481600	tie-rod m6 x 160mm	2
11	240015016000	rubber holder 3/4"x25	2	32	6180190000x	protection box	1
12	163013300000	protection cap ø25	2	33	6180110000x	box cover	1
13	12001019400	oil seal 20x35x10	1	34	93000500000	black rubber foot	4
14	101001880000	bearing 6204-2rs	1	35	71000653	"danger" label	1
15	62900500000	shaft	1	36	-	"ce" label	1
16	90516000000	key	1	37	190050110000	pull switch	1
17	232010010000	rotor	1	38	190100100000	black cable gland	1
18	232001010000	stator	1	39	190000160000	2m cable+clips	1
19	83101810000	flat washer ø5	4	40	190170150000	30a fuse	1
20	81011810100	screw 5 x 8mm	1	41	80233314000	screw M8 x 12mm	1
21	101001600000	bearing 6201 2rs	1	42	81301307100	screw ø3.9 x 6.5 znb	4
21	101001600000	bearing 6201 2rs	1	43	83703300000	washer ø8	1
22	36001000000	brush spring 6x16.5	2	44	83103310000	flat washer ø8	1



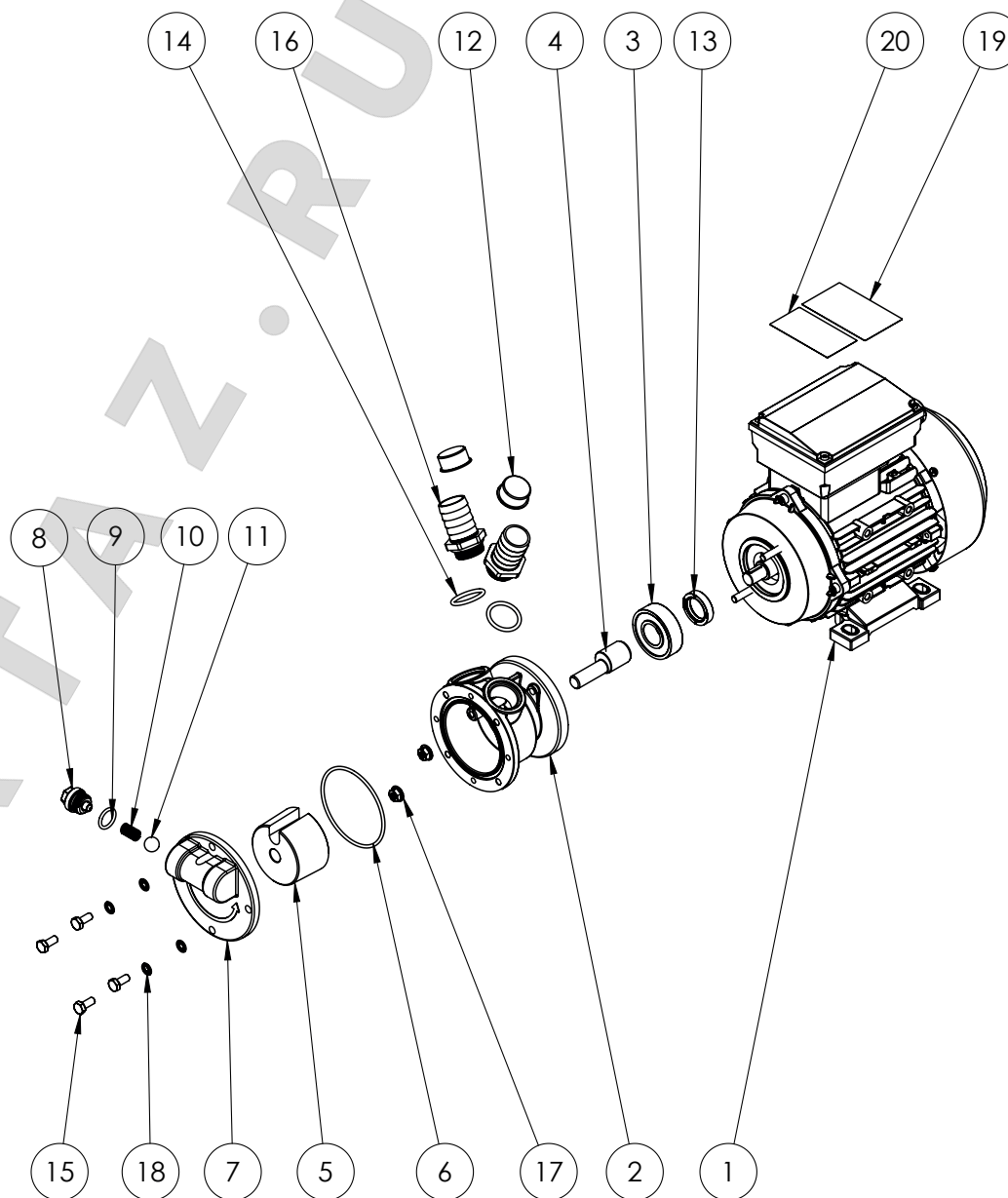


category

electric pump diesel

E 220V - E 115V

CODE	DESCRIPTION	QTY
1	230101000000 MOTOR E-220/35	1
2	625030000000 ALUMIN BODY	1
3	101001880000 BALL BEARING 6204 2RS	1
4	629005000000 BRASS SHAFT Ø20	1
5	630005000000 CONICAL DRUM	1
6	11010500400 O-Ring 3281 NBR	1
7	6151000000X PLASTIC CAP	1
8	603300000000 BYPASS CAP M18x15	1
9	11010090400 O-Ring 119 NBR	1
10	33421124173 INOX BYPASS SPRING	1
11	920203000000 BYPASS SPHERE	1
12	163013300000 PROTECTION CAP Ø25	2
13	12001019000 MOTOR SHAFT SEAL	1
14	11010264600 O-Ring 25x3 NBR	2
15	80232320100 SCREW TE M6x14 ISO 4014	4
16	TUB009 RUBBER HOLDER 3/4"X25	2
17	71000112 FLANGED NUT M6 ISO 4161	2
18	837023000000 INDENTED WASHER Ø6	4
19	71000653 LABEL "DANGER"	1
20	LOGO CE LABEL "CE"	1





documento - document

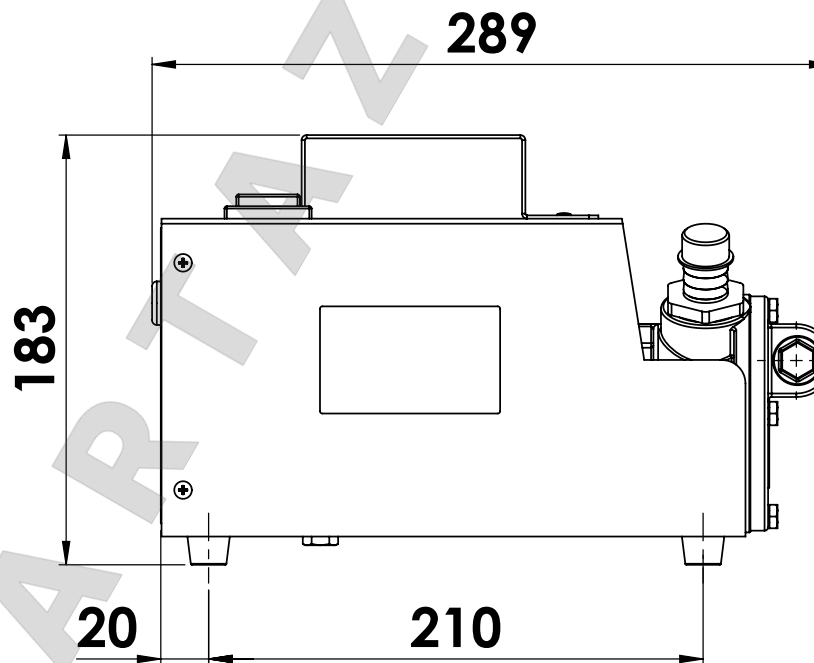
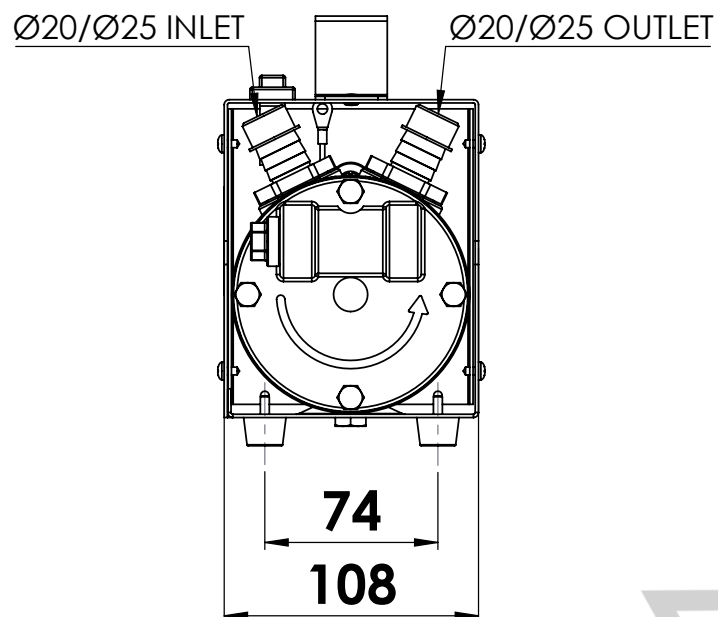
ingombri - overall dimensions

ARTAZ Москва, шоссе Энтузиастов 31с50
группа компаний Санкт-Петербург, ул. Заусадебная 31

ООО «АРТАЗ» +7 (958) 762-88-45, <https://artaz.ru>, Почта: info@artaz.ru
Видеозаписи оборудования: <https://youtube.com/@artazru>

MADE IN ITALY

F 12/24



tutte le dimensioni espresse in mm - all dimensions are in mm



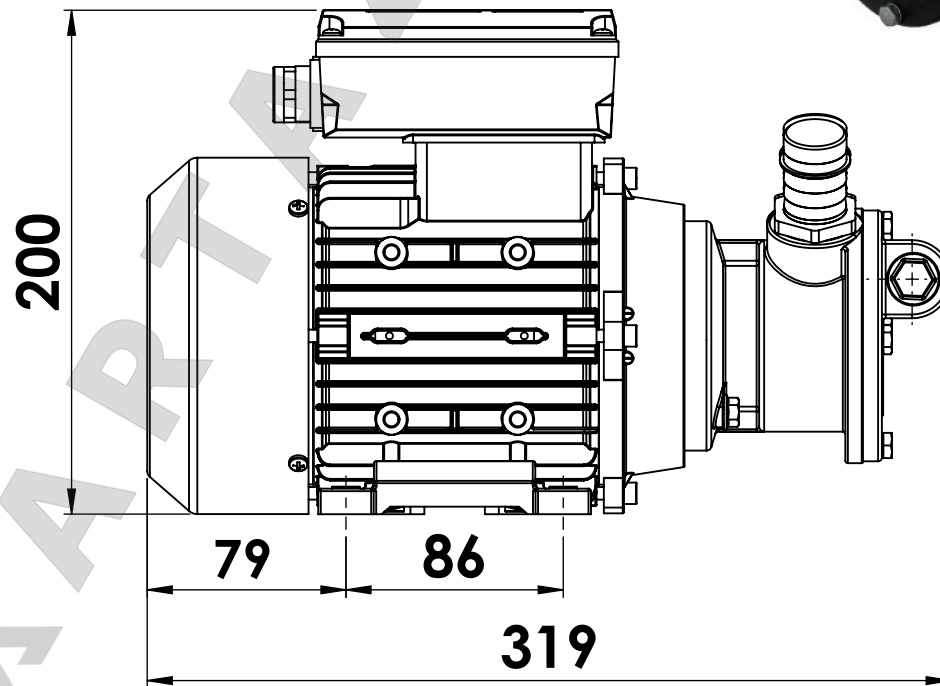
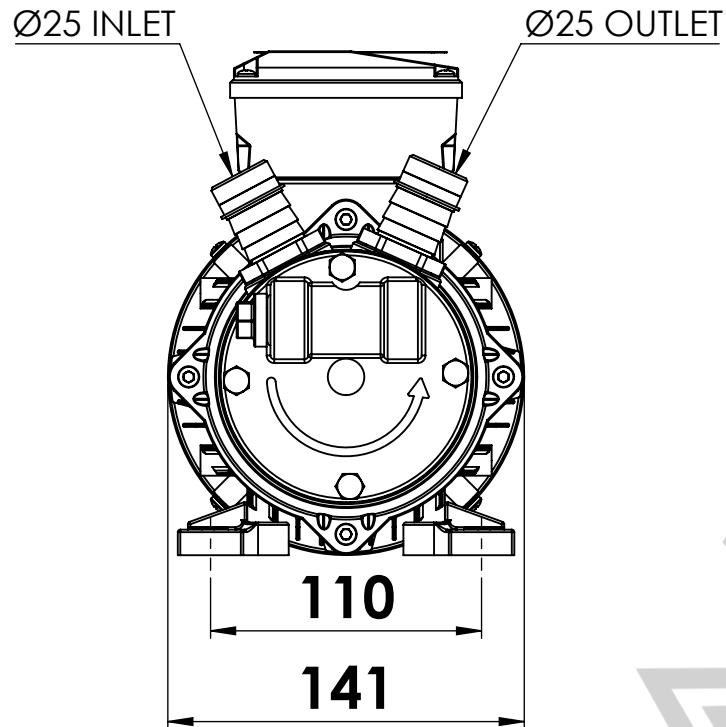
Adam Pumps S.p.A.
Soc. con Socio Unico
via della resistenza 46/48 - 41011 Campogalliano (MO) ITALIA
Tel +39 059 528128 - Fax +39 059 528437 | www.adampumps.com

ARTAZ Москва, шоссе Энтузиастов 31с50
группа компаний Санкт-Петербург, ул. Заусадебная 31

ООО «АРТАЗ» +7 (958) 762-88-45, <https://artaz.ru>, Почта: info@artaz.ru
Видеозаписи оборудования: <https://youtube.com/@artazru>



E 220



tutte le dimensioni espresse in mm - all dimensions are in mm





F 12-24



schema elettrico

wiring diagram

schaltpläne

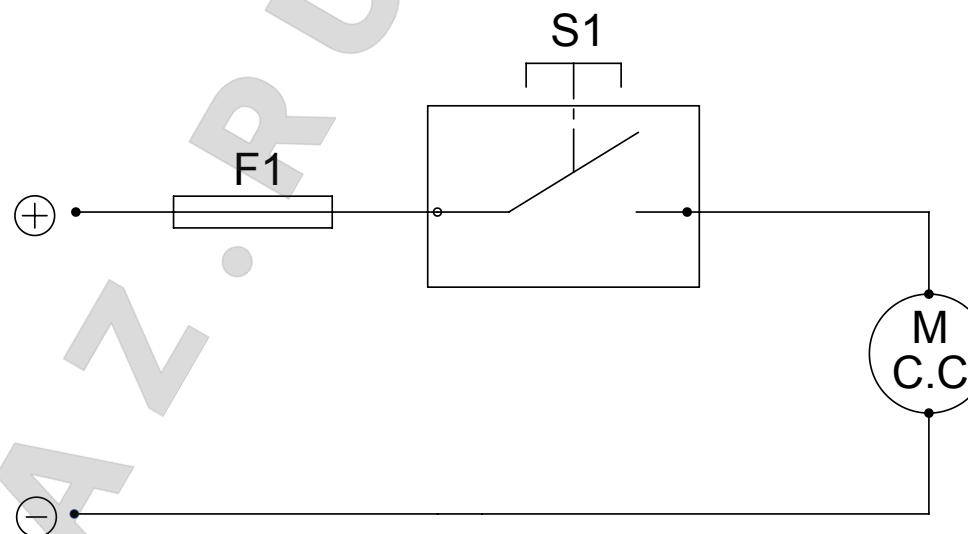
schémas électriques

esquemas eléctricos

esquemas elétricos

электрические схемы

12 / 24 VCC



S1 interruttore ON-OFF
M: motore
F1: fusibile



S1: interruptor ON-OFF
M: motor
F1: fusible



S1: ON-OFF switch
F1: Fuse
M: Motor



S1: Interruptor ON-OFF
M: Motor
F1: Fusível



S1: ON - OFF Schalter
M: Motor
T: Temperaturschutz



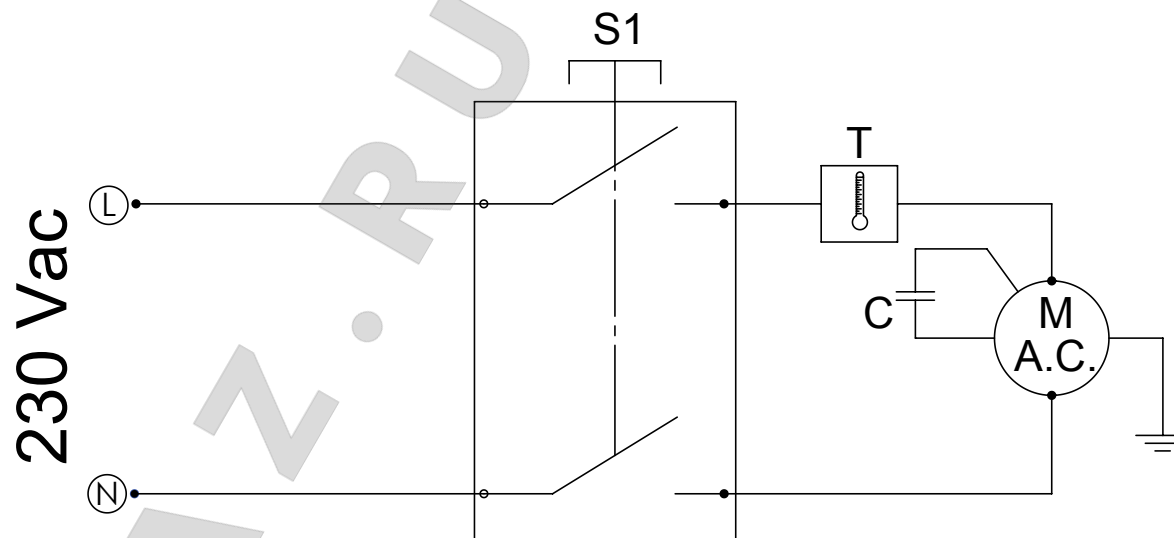
S1: переключатель ВКЛ-ВЫКЛ
M: Двигатель
F1: Плавкий предохранитель



S1: interrupteur ON-OFF
M: moteur
F1: fusible



E 220-115



schema elettrico

wiring diagram


schaltpläne


schémas électriques


esquemas eléctricos


esquemas elétricos


электрические схемы


 S:1 interruttore ON-OFF
M: motore
T: protezione termica
C: condensatore


 S1: ON-OFF switch
M: Motor
T: Circuit Breaker
C: Capacitor

 S1: ON - OFF Schalter
M: Motor
T: Temperaturschutz
C: Kondensator

 S1: interrupteur ON-OFF
M: moteur
T: protection Thermique
C: condensateur

 S1: interruptor ON-OFF
M: motor
T: protección térmica
C: condensador

 S1: Interruptor ON-OFF
M: Motor
T: Proteção Térmica
C: condensador

 S1: переключатель ВКЛ-ВЫКЛ
M: Двигатель
T: Термореле
C: Конденсатор



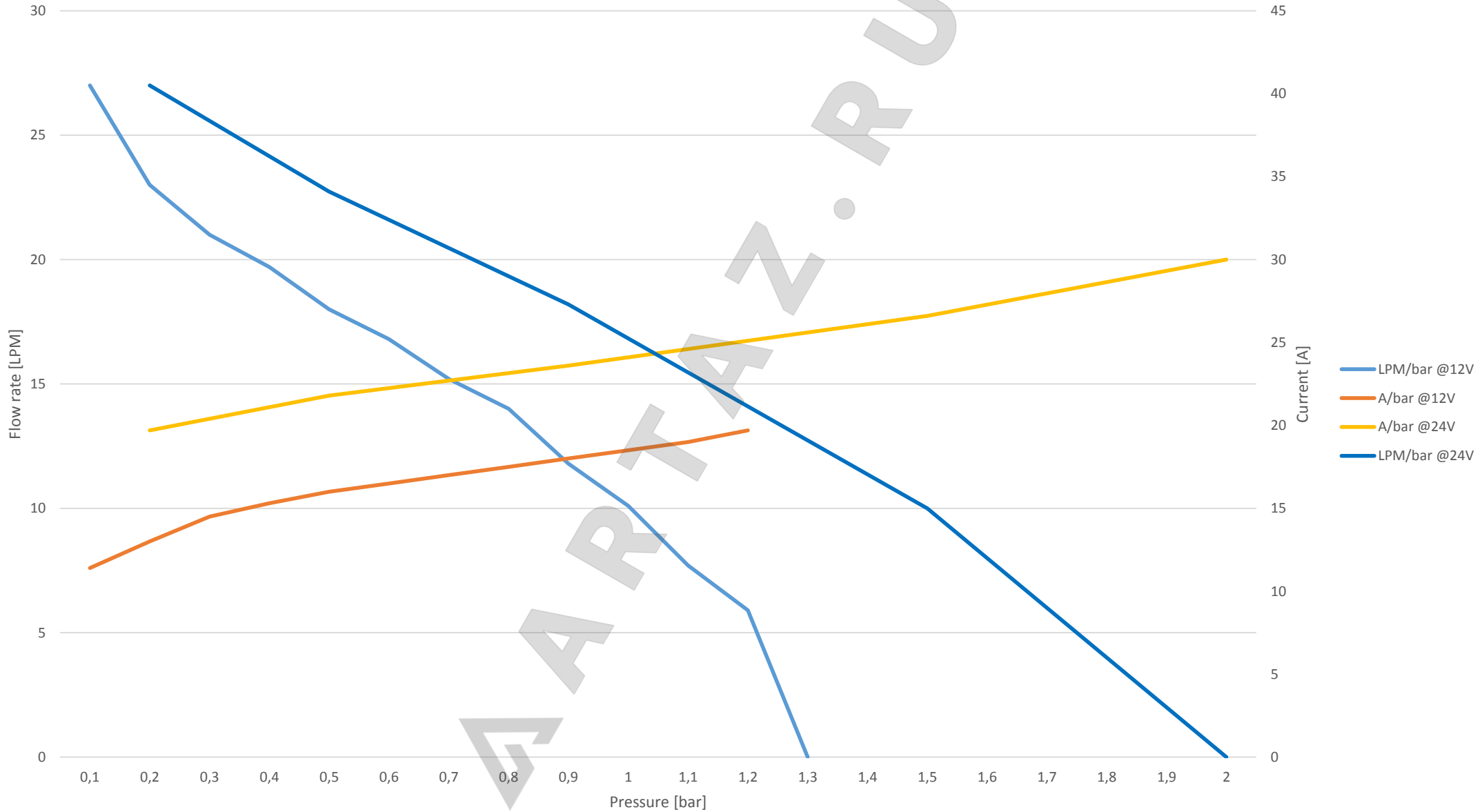
documento / document

prodotto / product

MADE IN ITALY

curva di portata / flow rate curve

E1224 12 VDC / 24 VDC



Adam Pumps spa
 via della Resistenza 46/48
 41011 Campogalliano (MO) - ITALIA

tel. +39 059 528 128
 fax +39 059 528 437
 info@adampumps.com

FLUID: DIESEL FUEL



Москва, шоссе Энтузиастов 31с50
 Санкт-Петербург, ул. Заусадная 31



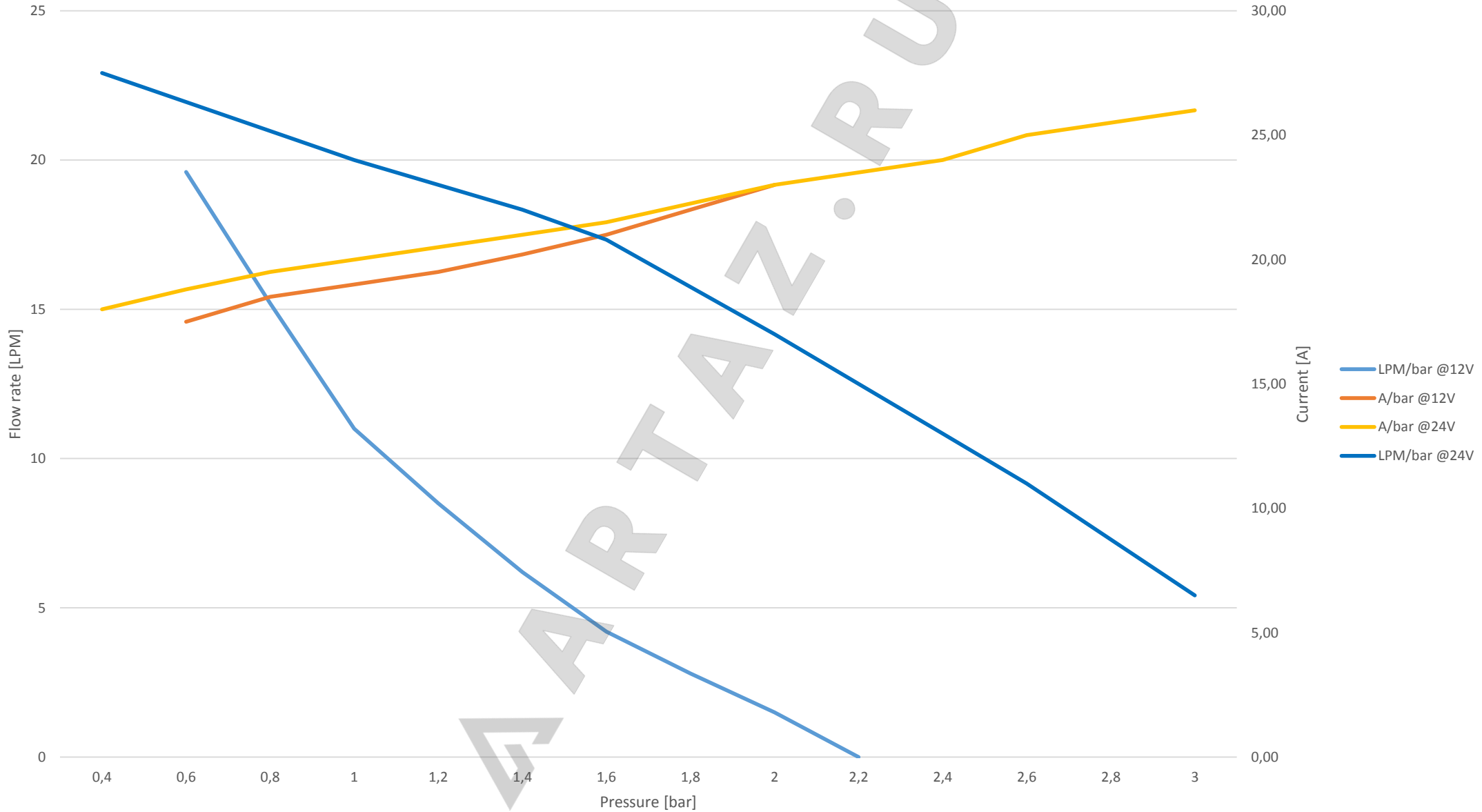
documento / document

prodotto / product

MADE IN ITALY

curva di portata / flow rate curve

E1224 12 VDC / 24 VDC



Adam Pumps spa
 via della Resistenza 46/48
 41011 Campogalliano (MO) - ITALIA

tel. +39 059 528 128
 fax +39 059 528 437
info@adampumps.com

FLUID: LIGHT OIL



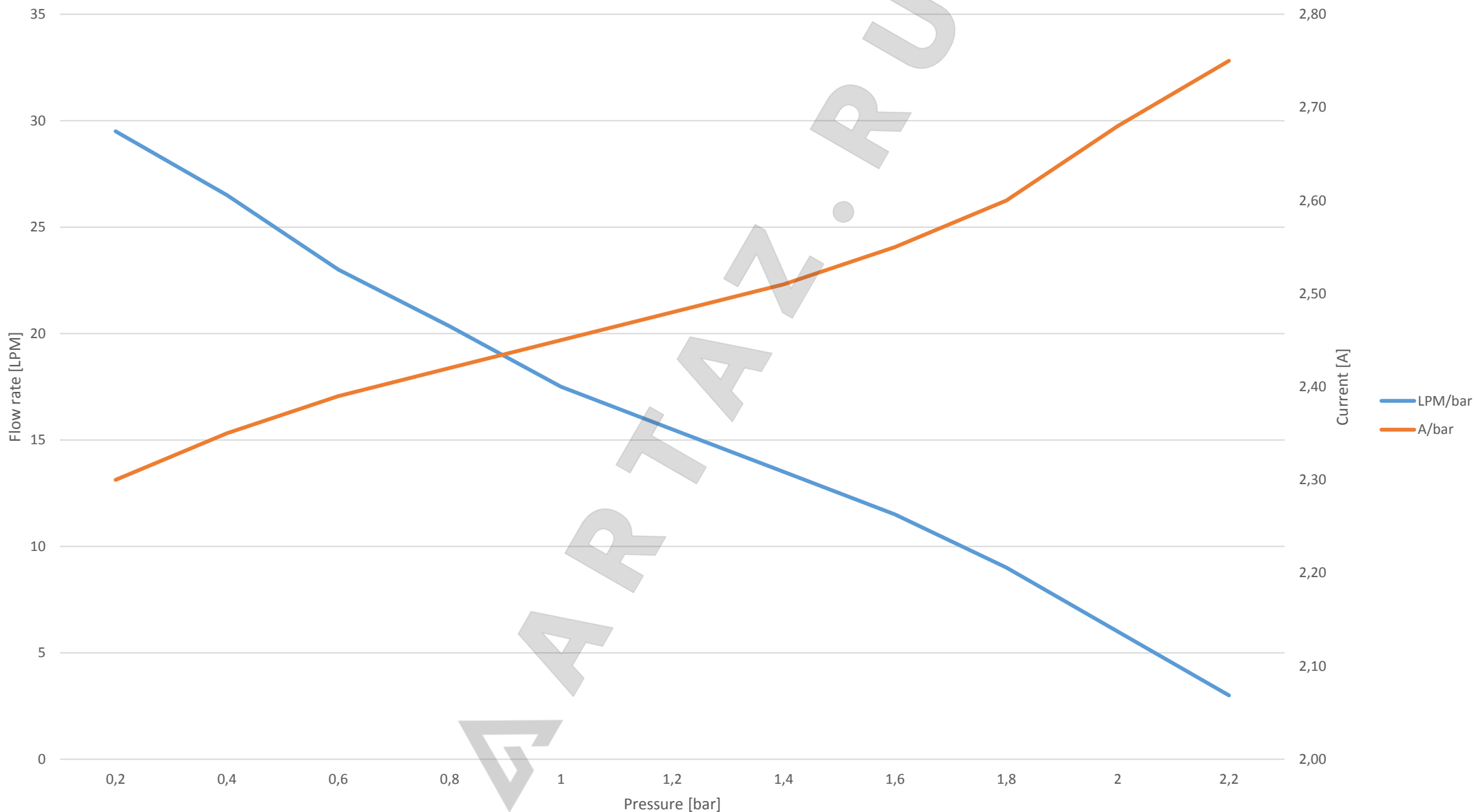
documento / document

prodotto / product

MADE IN ITALY

curva di portata / flow rate curve

E220 230V 50Hz



Adam Pumps spa
 via della Resistenza 46/48
 41011 Campogalliano (MO) - ITALIA

tel. +39 059 528 128
 fax +39 059 528 437
info@adampumps.com

FLUID: DIESEL FUEL