



# C TECH 40



DIESEL

**AC TECH 40****DC TECH 40**

FEATURES	12V	24V	230V
Motor Protection:	IP55	IP55	IP55
Handle:	Yes	Yes	Yes
On/Off Switch:	Yes	Yes	Yes
Power Supply [V]:	12 DC	24 DC	230 AC
Max Current [A]:	18	11	1,1
Power [W]:	216	264	276
Fuse [A]:	30	15	-
Duty Cycle [min]:	S2 30	S2 30	S2 30
Nominal Flow Rate [l/min / GPM]:	40 / 10,57	40 / 10,57	40 / 10,57
Max Pressure [bar / psi]:	1,3 / 19	1,3 / 19	1,3 / 19
Dry Suction height [m]:	2	2	2
Inlet [BSP/G]:	3/4"	3/4"	3/4"
Outlet [BSP/G]:	3/4"	3/4"	3/4"
Pump body material:	Cast Iron	Cast Iron	Cast Iron
Impeller material:	Sintered Steel	Sintered Steel	Sintered Steel
Vanes material:	POM	POM	POM
Ring material:	HNBR	HNBR	HNBR
Gasket material:	NBR	NBR	NBR
Motor support:	Yes	Yes	Yes
Min/max Temperature [°C]:	20/50	20/50	20/50
Max fluid viscosity [cSt] (a 40 °C):	2 ÷ 5	2 ÷ 5	2 ÷ 5
Compatible fluids:	diesel	diesel	diesel
Not allowed fluids:	gas, alcohol, water, gasoline, kerosene		
Loudness at less 1 meter [dB]:	< 80	< 80	< 80
Net Weight [Kg]:	4	4	4
Gross Weight [Kg]:	4,4	4,4	4,4

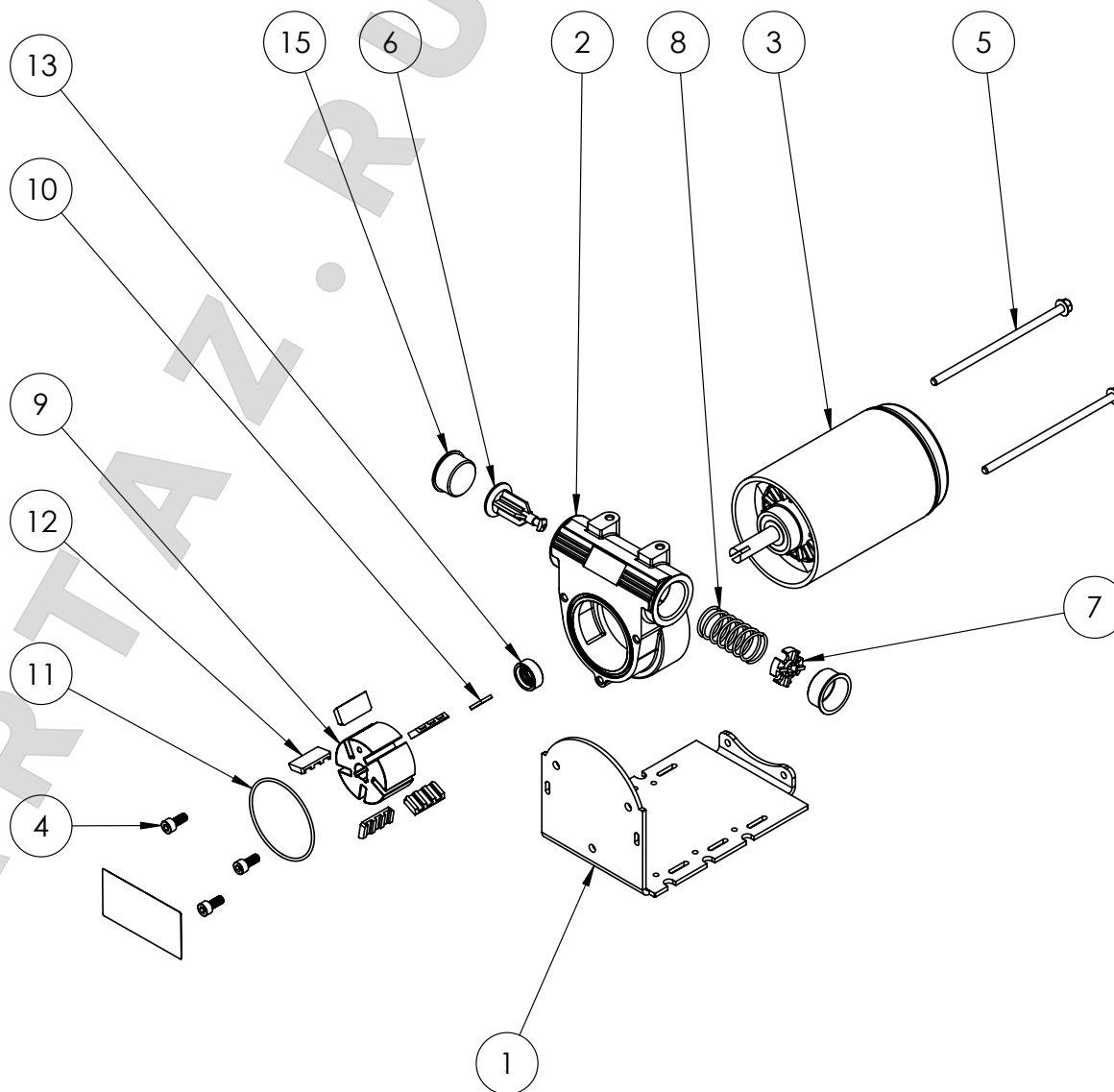
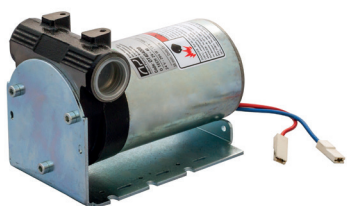


category

electric pump diesel

# O TECH 40

	CODE			DESCRIPTION	QTY
	12 V	24 V	230V		
1	cp001	cp001	cp001	pump body 40l	1
2	231501700000	231501800000	ME001	motor ø77	1
3	dc006	dc006	dc006	metal plate	1
4	13001013	13001013	13001013	screw m5x12	3
5	PA037	PA037	PA037	plate	1
6	71008006	71008006	71008006	spring ø21, 4x42	1
7	71000520	71000520	71000520	bypass valve	1
8	12010031000	12010031000	12010031000	sealing ring ø19	1
9	18001014	18001014	18001014	or 2212 nbr	1
10	71000517	71000517	71000517	plastic key	1
11	61000003	61000003	61000003	impeller ø45	1
12	71000522	71000522	71000522	small vane	5
13	6100481150	6100481150	6100481150	tie-rod m5 x 115	2
15	163013300000	163013300000	163013300000	protection cap ø25	2
16	71000653	71000653	71000653	"danger" label	1
17	-	-	-	"ce" label	1



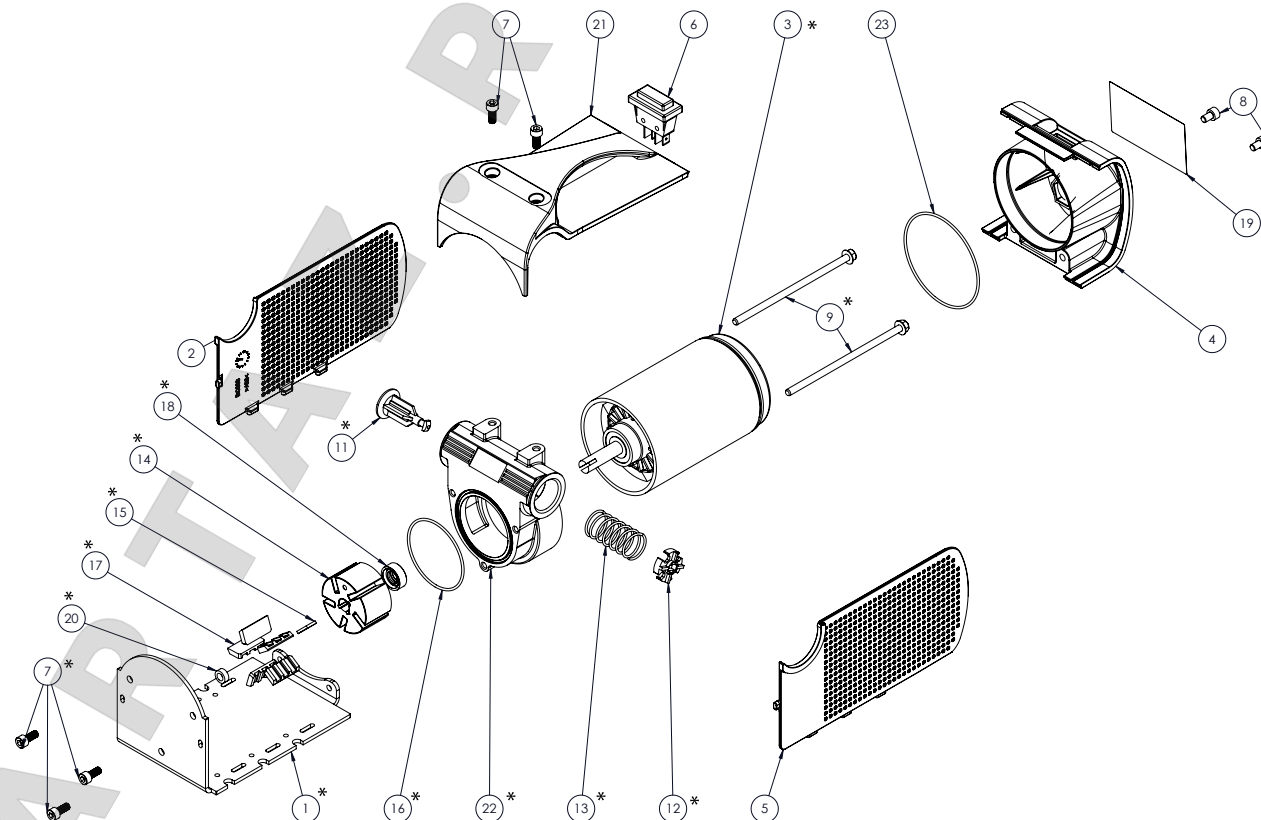


category

electric pump diesel

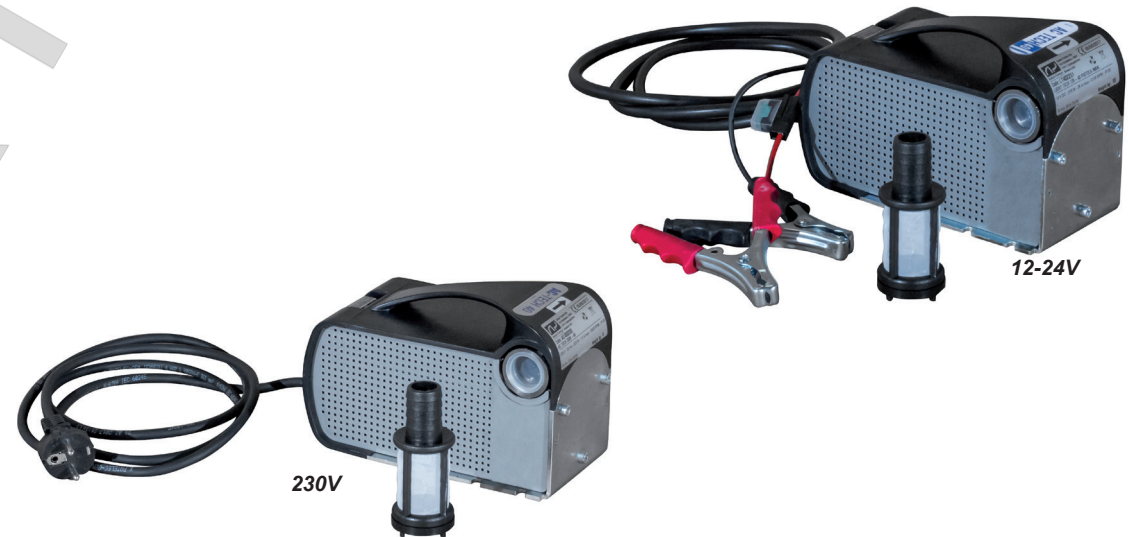
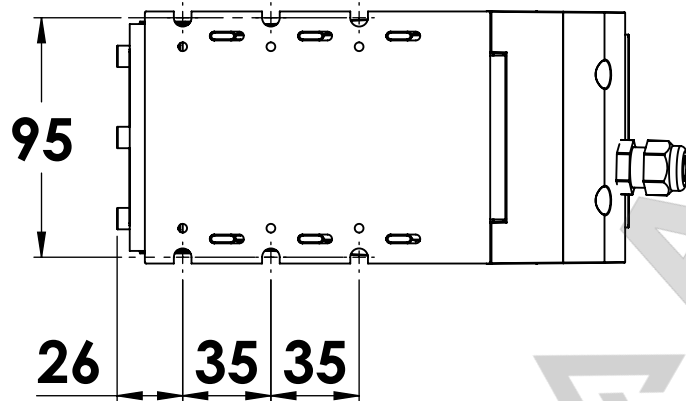
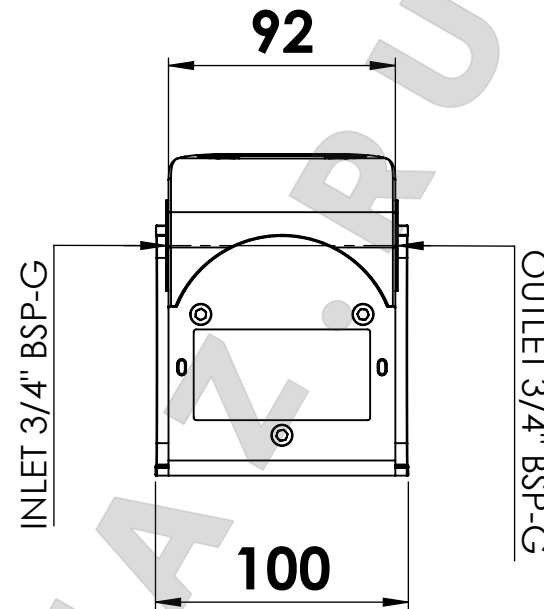
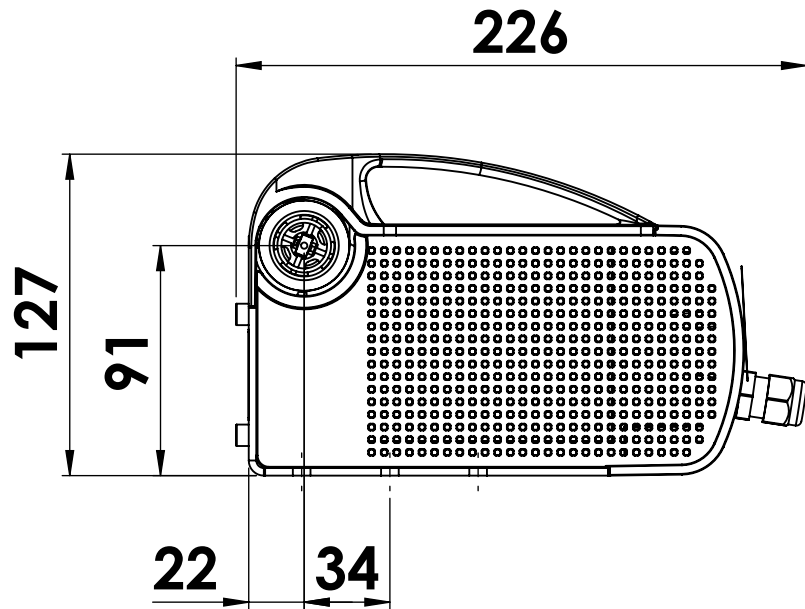
# AC-DC TECH 40

CODE	DESCRIPTION	Q.TY	
1	DC006	plate	1
2	DC003G	left side	1
3	-	MotorØ77	1
4	DC002N	switch box	1
5	DC004G	right side	1
6	190050070000	Switch11x30 16A	1
7	13001013	screw TCCE M5x12	5
8	VT025	Screw TCCE M5x12	2
9	6100481150	TieM5x115 Flanged	2
11	71000520	By pass valve	1
12	PA037	Plate	1
13	71008006	Spring Ø21.4x42	1
14	61000003	Rotor Ø45	1
15	71000517	Plastic key	1
16	18001014	O-Ring 2212 NBR	1
17	71000522	Small vane	5
18	12010031000	Sealing ring Ø19	1
19	71000653	Label"DANGER"	1
20	DC007	Bush	1
21	DC001N	Handle	1
22	CP001	Body pump	1





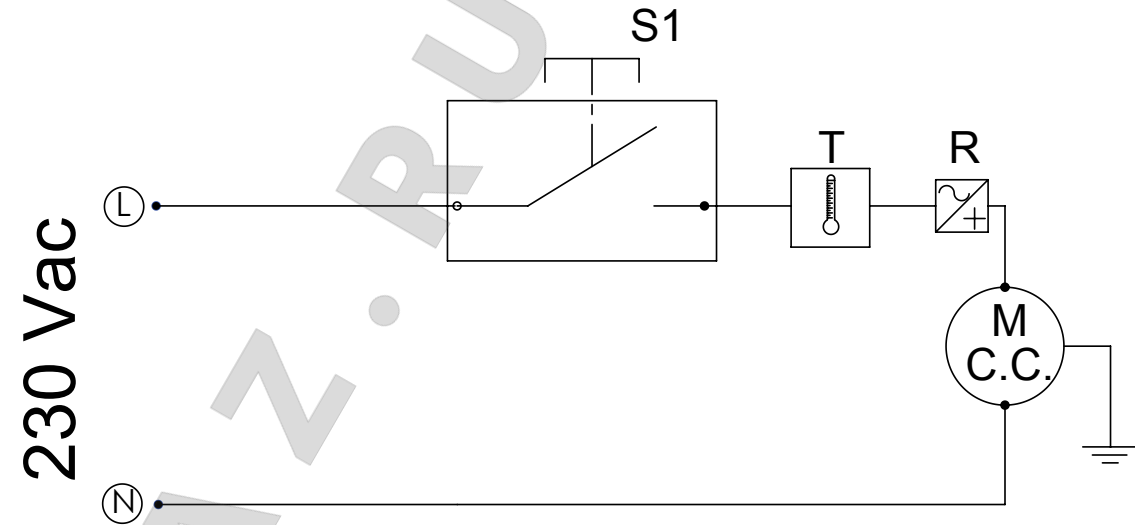
# C TECH 40 (12/24V - 230V)



tutte le dimensioni espresse in mm - all dimensions are in mm



# AC TECH 40



230 Vac

schema elettrico

wiring diagram


schaltpläne


schémas électriques


esquemas eléctricos


esquemas elétricos


электрические схемы


 S:1 interruttore ON-OFF  
M: motore  
T: protezione termica  
R: raddrizzatore


 S1: interruptor ON-OFF  
M: motor  
T: protección térmica  
R: rectificador

 S1: ON-OFF switch  
M: Motor  
T: Circuit Breaker  
R: Rectifier (in motor)

 S1: Interruptor ON-OFF  
M: Motor  
T: Proteção Térmica  
R: retificador

 S1: ON - OFF Schalter  
M: Motor  
T: Temperaturschutz  
R: Gleichrichter

 S1: переключатель ВКЛ-ВЫКЛ  
M: Двигатель  
T: Термореле  
R: выпрямитель

 S1: interrupteur ON-OFF  
M: moteur  
T: protection Thermique  
R: Redresseur



# DC TECH 40



schema elettrico

wiring diagram

schaltpläne

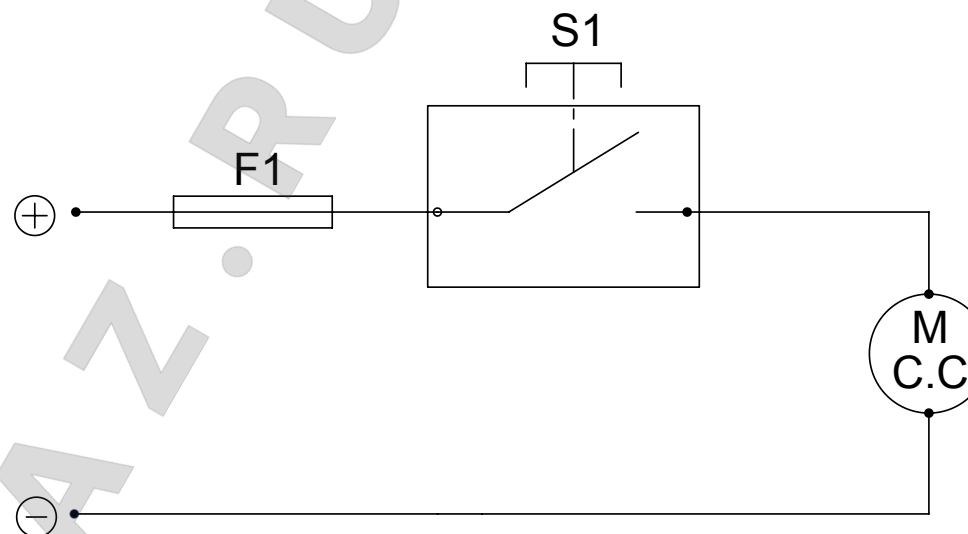
schémas électriques

esquemas eléctricos

esquemas elétricos

электрические схемы

12 / 24 VCC



S1 interruttore ON-OFF  
M: motore  
F1: fusibile

S1: interruptor ON-OFF  
M: motor  
F1: fusible

S1: ON-OFF switch  
F1: Fuse  
M: Motor

S1: Interruptor ON-OFF  
M: Motor  
F1: Fusível

S1: ON - OFF Schalter  
M: Motor  
T: Temperaturschutz

S1: переключатель ВКЛ-ВЫКЛ  
M: Двигатель  
F1: Плавкий предохранитель

S1: interrupteur ON-OFF  
M: moteur  
F1: fusible