



# WALL-TECH AC



DIESEL



## ACCESSORIES for all versions

- add-on Filter Kit
- on request 115-60Hz motor



| FEATURES                               | 40 litre                                | 60 litre             | 80 litre             | 100 litre            |
|--|---|----------------------|----------------------|----------------------|
| Voltage AC [V, Hz]                     | 230, 50                                 | 230, 50              | 230, 50              | 230, 50              |
| Power supply [A]                       | 1.1                                     | 2.4                  | 3.5                  | 4.1                  |
| Power [W]                              | 253                                     | 550                  | 800                  | 950                  |
| Protection                             | IP 55                                   | IP 55                | IP 55                | IP 55                |
| On/Off switch                          | Yes                                     | Yes                  | Yes                  | Yes                  |
| Cable [m]                              | 2                                       | 2                    | 2                    | 2                    |
| Duty cycle [min]                       | S2 30                                   | S2 30                | S2 30                | S2 30                |
| Nominal Flow Rate [l/min / GPM]        | 40 / 10,57                              | 60 / 15,85           | 80 / 21,13           | 100 / 26,42          |
| Max Pressure [bar / psi]               | 1.3 / 19                                | 2 / 29               | 2.5 / 36             | 2.5 / 36             |
| Suction dry eight [m]                  | 2                                       | 4                    | 2                    | 2                    |
| By pass valve                          | Yes                                     | Yes                  | Yes                  | Yes                  |
| Inlet [BSP/G]                          | 3/4" F                                  | 1" F                 | 1" F                 | 1" F                 |
| Outlet [BSP/G]                         | 1" F                                    | 1" F                 | 1" F                 | 1" F                 |
| Pump body material                     | Cast Iron                               | Cast Iron            | Cast Iron            | Cast Iron            |
| Impeller material                      | Sintered Steel                          | Sintered Steel       | Sintered Steel       | Sintered Steel       |
| Vanes material                         | POM                                     | POM                  | POM                  | POM                  |
| Ring material                          | HNBR                                    | HNBR                 | HNBR                 | HNBR                 |
| Gasket material                        | NBR                                     | NBR                  | NBR                  | NBR                  |
| Meter digits:                          | 3                                       | 3                    | 3                    | 3                    |
| Meter type:                            | Oscillating disk                        | Oscillating disk     | Oscillating disk     | Oscillating disk     |
| Meter precision [%]:                   | ±1                                      | ±1                   | ±1                   | ±1                   |
| Repeatability[%]:                      | 0,2                                     | 0,2                  | 0,2                  | 0,2                  |
| Discharge hose [material,Ø,m,fittings] | rubber, 20, 4, 1"x1"                    | rubber, 20, 4, 1"x1" | rubber, 25, 4, 1"x1" | rubber, 25, 4, 1"x1" |
| Nozzle                                 | automatic / manual                      | automatic / manual   | automatic / manual   | automatic / manual   |
| Filter                                 | no                                      | Yes                  | Yes                  | Yes                  |
| Motor support                          | Yes                                     | Yes                  | Yes                  | Yes                  |
| Min/Max Temperature [°C]               | -20/+50                                 | -20/+50              | -20/+50              | -20/+50              |
| Fluid viscosity [cSt]                  | 2 ÷ 5                                   | 2 ÷ 5                | 2 ÷ 5                | 2 ÷ 5                |
| Allowed fluids                         | diesel                                  | diesel               | diesel               | diesel               |
| Forbidden fluids                       | gas, alcohol, water, gasoline, kerosene |                      |                      |                      |
| Loudness at less 1 meter[dB]           | 75                                      | < 70                 | 85                   | 85                   |
| Peso netto [kg]                        | 11                                      | 17                   | 24                   | 24                   |
| Gross weight [kg]                      | 12                                      | 17.5                 | 24.5                 | 24.5                 |



document

technical sheet

# WALL TECH DC



DIESEL



## ACCESSORIES for all versions

- add-on Filter Kit
- on request 115-60Hz motor



| FEATURES                              | 40 litre                                | 45 litre             | 60 litre             | 85 litre             |
|---------------------------------------|---|----------------------|----------------------|----------------------|
| Voltage DC [V]                        | 12 - 24                                 | 12 - 24              | 12 - 24              | 12 - 24              |
| Power supply [A]                      | 21 - 13                                 | 18 - 9               | 26 - 17              | 40 - 32              |
| Fusibile [A]                          | 30 - 20                                 | 30 - 15              | 30 - 20              | 40 - 40              |
| Power [W]                             | 252 - 312                               | 216 - 216            | 312 - 408            | 480 - 768            |
| Protection                            | IP 55                                   | IP 55                | IP 55                | IP 55                |
| On/Off switch                         | Yes                                     | Yes                  | Yes                  | Yes                  |
| Cable[m]                              | 2                                       | 2                    | 2                    | 2                    |
| Duty cycle[min]                       | S2 30                                   | S2 30                | S2 30                | S2 30                |
| Nominal Flow Rate [l/min / GPM]       | 40 / 10,57                              | 45 / 11,89           | 60 / 15,85           | 85 / 22,45           |
| Max Pressure [bar / psi]              | 1.3 / 19                                | 1.2 / 17,5           | 2 / 29               | 2 / 29               |
| Suction dry height [m]                | 2                                       | 2                    | 2                    | 2                    |
| By pass valve                         | Yes                                     | Yes                  | Yes                  | Yes                  |
| Inlet [BSP/G]                         | 3/4" F                                  | 1" F                 | 1" F                 | 1" F                 |
| Outlet [BSP/G]                        | 1" F                                    | 1" F                 | 1" F                 | 1" F                 |
| Pump body material                    | Cast Iron                               | Cast Iron            | Cast Iron            | Cast Iron            |
| Impeller material                     | Sintered Steel                          | Sintered Steel       | Sintered Steel       | Sintered Steel       |
| Vanes material                        | POM                                     | POM                  | POM                  | POM                  |
| Ring material                         | HNBR                                    | HNBR                 | HNBR                 | HNBR                 |
| Gasket material                       | NBR                                     | NBR                  | NBR                  | NBR                  |
| Meter digits:                         | 3                                       | 3                    | 3                    | 3                    |
| Meter type:                           | Oscillating disk                        | Oscillating disk     | Oscillating disk     | Oscillating disk     |
| Meter precision [%]:                  | ±1                                      | ±1                   | ±1                   | ±1                   |
| Repeatability[%]:                     | 0,2                                     | 0,2                  | 0,2                  | 0,2                  |
| Discharge hose [material,Ø,m,ittings] | rubber, 20, 4, 1"x1"                    | rubber, 20, 4, 1"x1" | rubber, 25, 4, 1"x1" | rubber, 25, 4, 1"x1" |
| Nozzle                                | automatic / manual                      | automatic / manual   | automatic / manual   | automatic / manual   |
| Filter                                | no                                      | Yes                  | Yes                  | Yes                  |
| Motor support                         | Yes                                     | Yes                  | Yes                  | Yes                  |
| Temperatura min/max [°C]              | -20/+50                                 | -20/+50              | -20/+50              | -20/+50              |
| Fluid viscosity [cSt]                 | 2 ÷ 5                                   | 2 ÷ 5                | 2 ÷ 5                | 2 ÷ 5                |
| Allowed fluids                        | diesel                                  | diesel               | diesel               | diesel               |
| Forbidden fluids                      | gas, alcohol, water, gasoline, kerosene |                      |                      |                      |
| Loudness at less 1 meter[dB]          | 75                                      | 80                   | 70 - < 75            | 70 - < 75            |
| Peso netto [kg]                       | 11.5                                    | 11.8                 | 16                   | 16                   |
| Gross weight [kg]                     | 12                                      | 12.3                 | 16.6                 | 16.6                 |



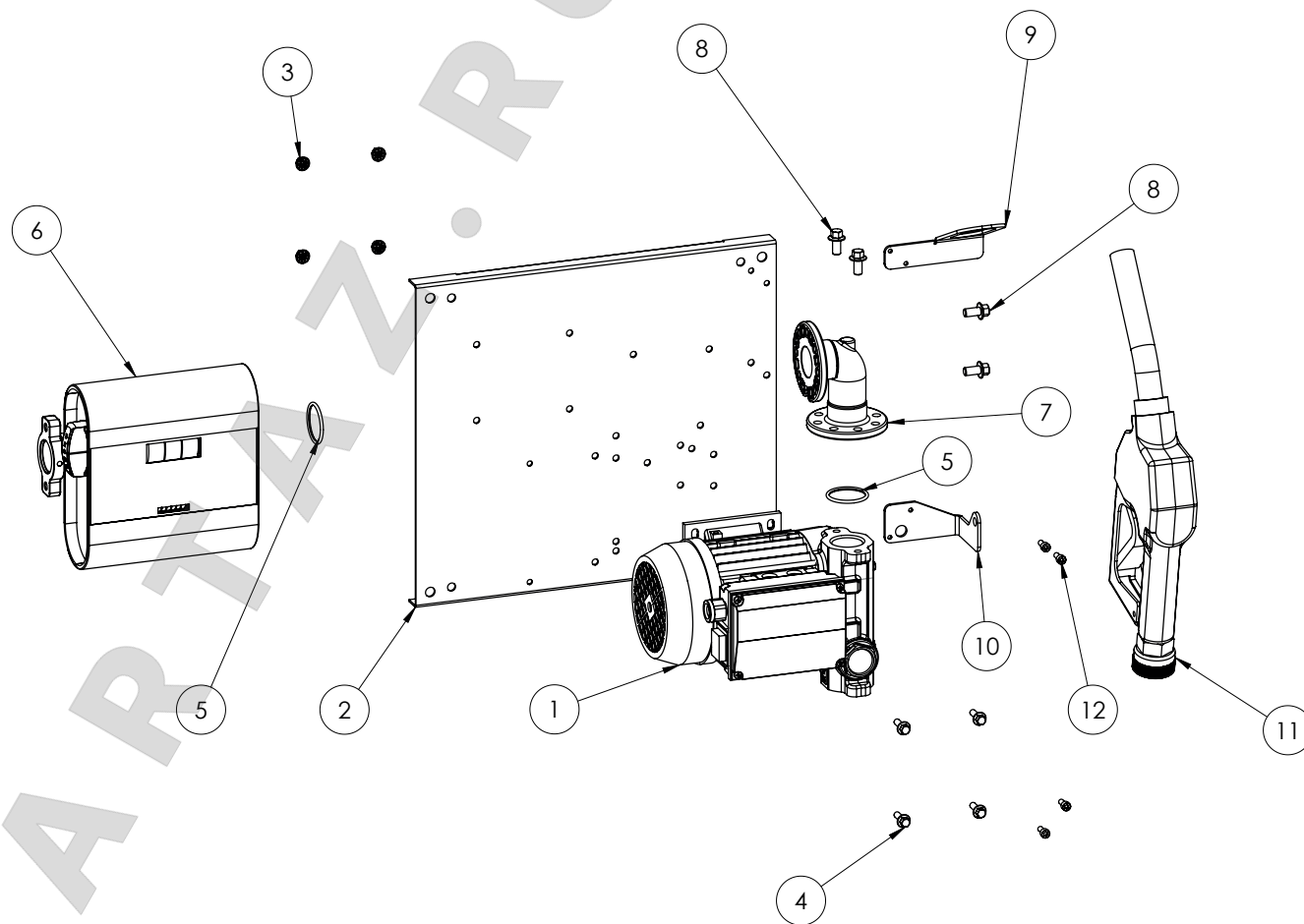


category

dispenser diesel

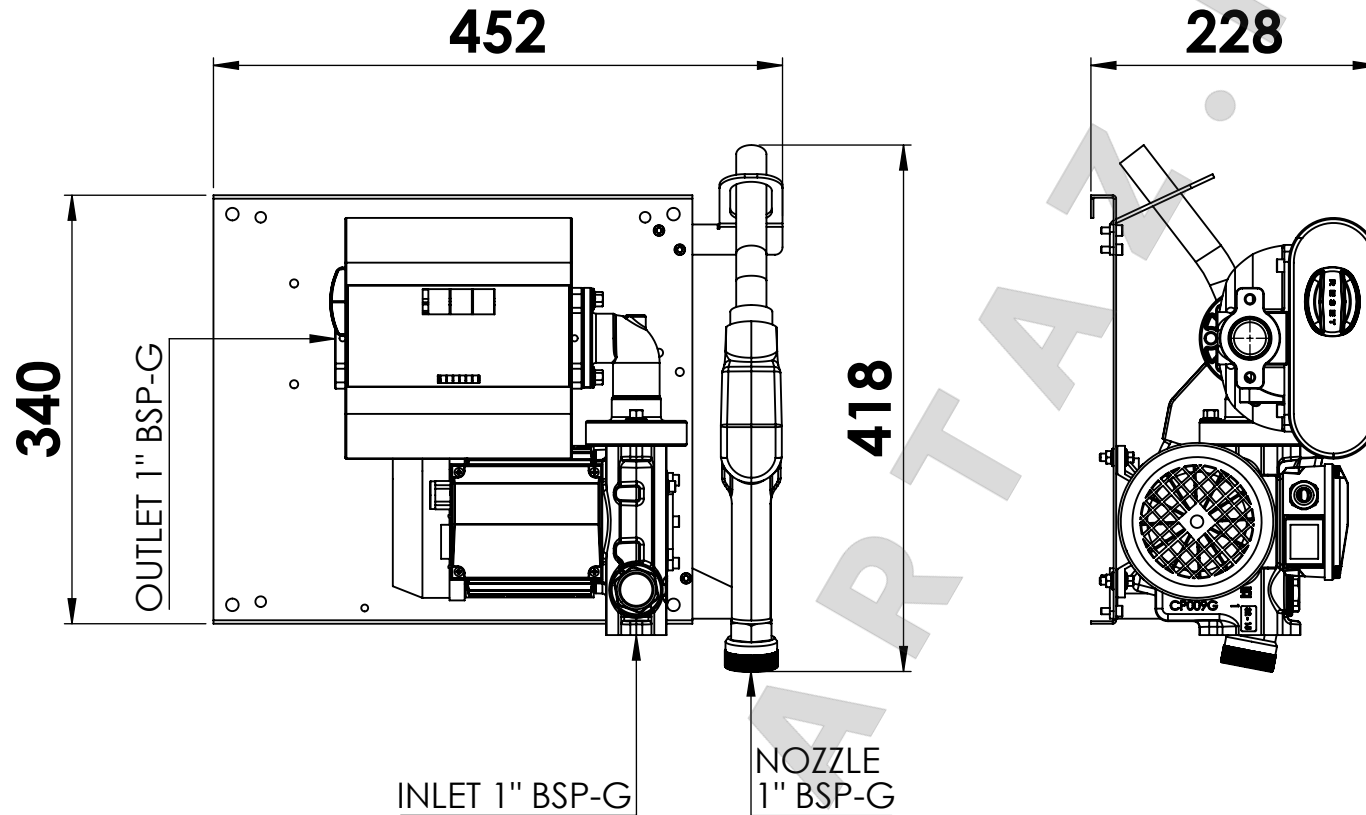
# WALL-TECH

|    | CODE        | DESCRIPTION           | QTY |
|----|-------------|-----------------------|-----|
| 1  | -           | Electric pump         | 1   |
| 2  | 61805400000 | Wall panel            | 1   |
| 3  | 71000112    | Flanged nut M6        | 4   |
| 4  | 81282325100 | Screw FR M6x20        | 4   |
| 5  | OR011       | O-RING 37 x 3 NBR     | 2   |
| 6  | TF3S1       | Meter                 | 1   |
| 7  | HT008       | ROUGH TELEPHONE       | 1   |
| 8  | VT005       | Screw FR M8x16        | 2   |
| 9  | WT001       | Top WT nozzle hook    | 1   |
| 10 | WT002       | Bottom WT nozzle hook | 1   |
| 11 | -           | Nozzle                | 1   |
| 12 | 13001013    | Screw M5x12           | 4   |
| 13 | VT020       | screw m8x30           | 2   |





# WALL-TECH

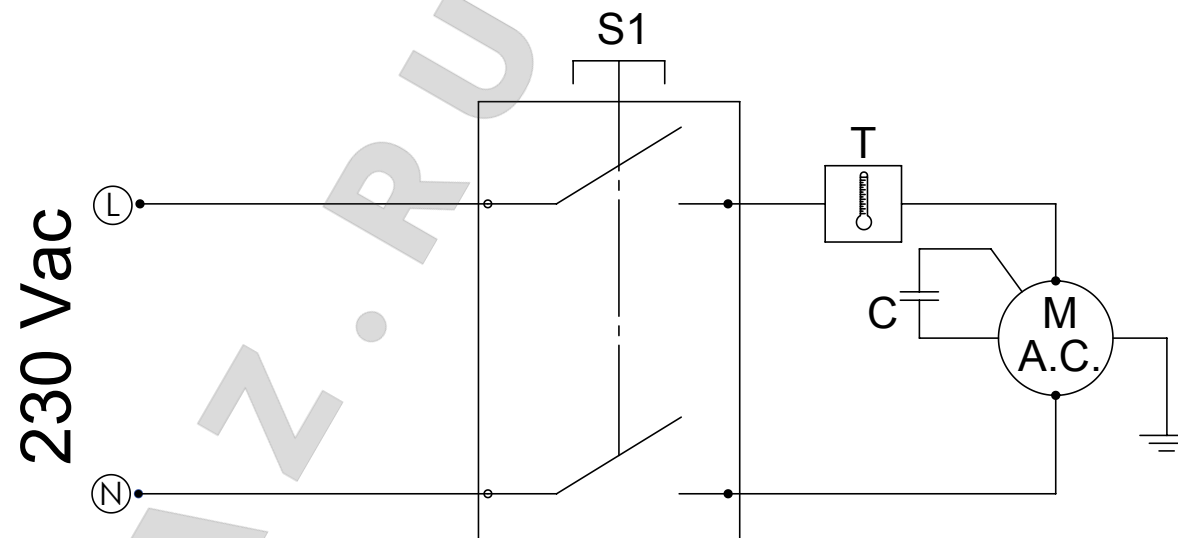


tutte le dimensioni espresse in mm - all dimensions are in mm





# WALL-TECH 60-100



schema elettrico

wiring diagram


schaltpläne


schémas électriques


esquemas eléctricos


esquemas elétricos


электрические схемы


 S:1 interruttore ON-OFF  
M: motore  
T: protezione termica  
C: condensatore


 S1: ON-OFF switch  
M: Motor  
T: Circuit Breaker  
C: Capacitor

 S1: ON - OFF Schalter  
M: Motor  
T: Temperaturschutz  
C: Kondensator

 S1: interrupteur ON-OFF  
M: moteur  
T: protection Thermique  
C: condensateur

 S1: interruptor ON-OFF  
M: motor  
T: protección térmica  
C: condensador

 S1: Interruptor ON-OFF  
M: Motor  
T: Proteção Térmica  
C: condensador

 S1: переключатель ВКЛ-ВЫКЛ  
M: Двигатель  
T: Термореле  
C: Конденсатор



# WALL-TECH 40-85



schema elettrico

wiring diagram

schaltpläne

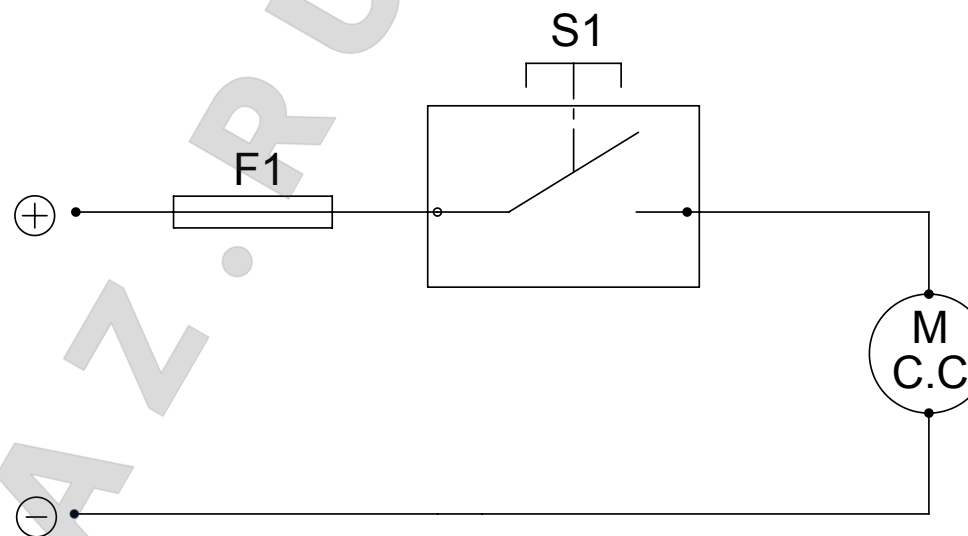
schémas électriques

esquemas eléctricos

esquemas elétricos

электрические схемы

12 / 24 VCC



S1 interruttore ON-OFF  
M: motore  
F1: fusibile



S1: interruptor ON-OFF  
M: motor  
F1: fusible



S1: ON-OFF switch  
F1: Fuse  
M: Motor



S1: Interruptor ON-OFF  
M: Motor  
F1: Fusível



S1: ON - OFF Schalter  
M: Motor  
T: Temperaturschutz



S1: переключатель ВКЛ-ВЫКЛ  
M: Двигатель  
F1: Плавкий предохранитель



S1: interrupteur ON-OFF  
M: moteur  
F1: fusible

